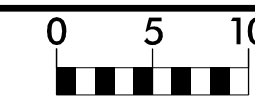


6/23/16

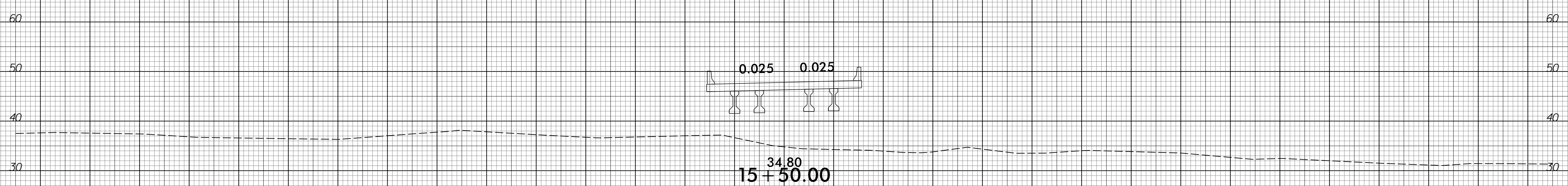
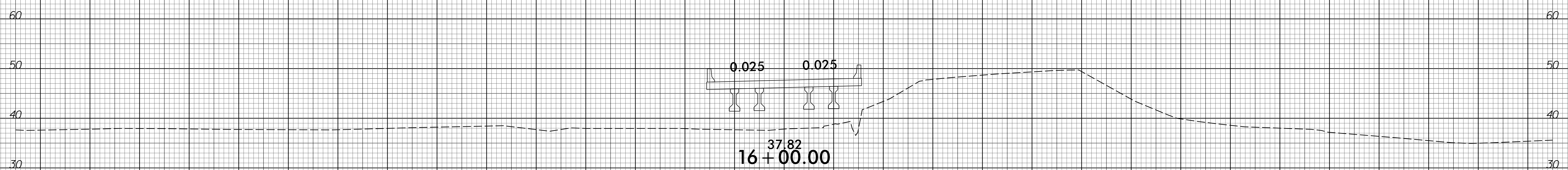
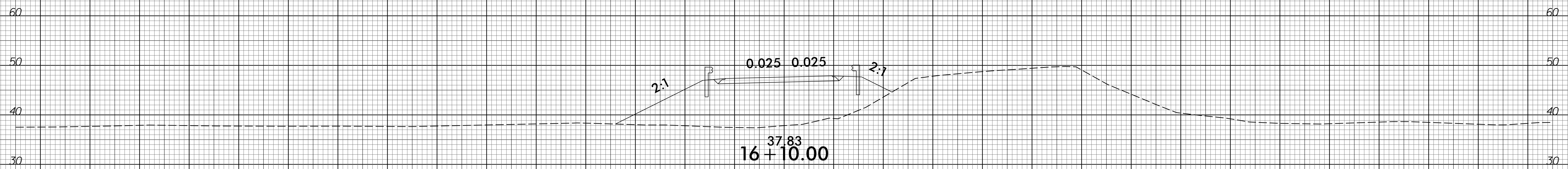


PROJ. REFERENCE NO.
B-5662

SHEET NO.
X-13

150 140 130 120 110 100 90 80 70 60 50 40 30 20 10 0 10 20 30 40 50 60 70 80 90 100 110 120 130 140 150

END BRIDGE -DET- STA. 16+10.00



-DET-

150 140 130 120 110 100 90 80 70 60 50 40 30 20 10 0 10 20 30 40 50 60 70 80 90 100 110 120 130 140 150

I3-APR-2020 12:46
 S:\2015\150145\21 B-5662\Roadway\CorridorModeling\B-5662_Rdy_det_xpl.dgn
 33052714163338