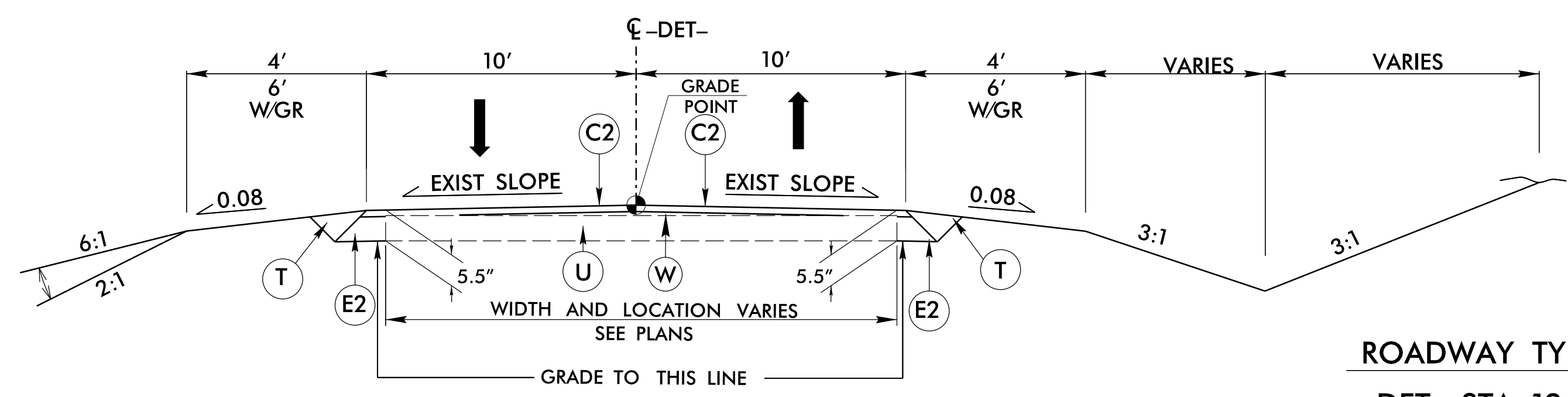


6/2/2019

FINAL PAVEMENT SCHEDULE
ALL PAVEMENT EDGE SLOPES ARE 1:1 UNLESS OTHERWISE NOTED.

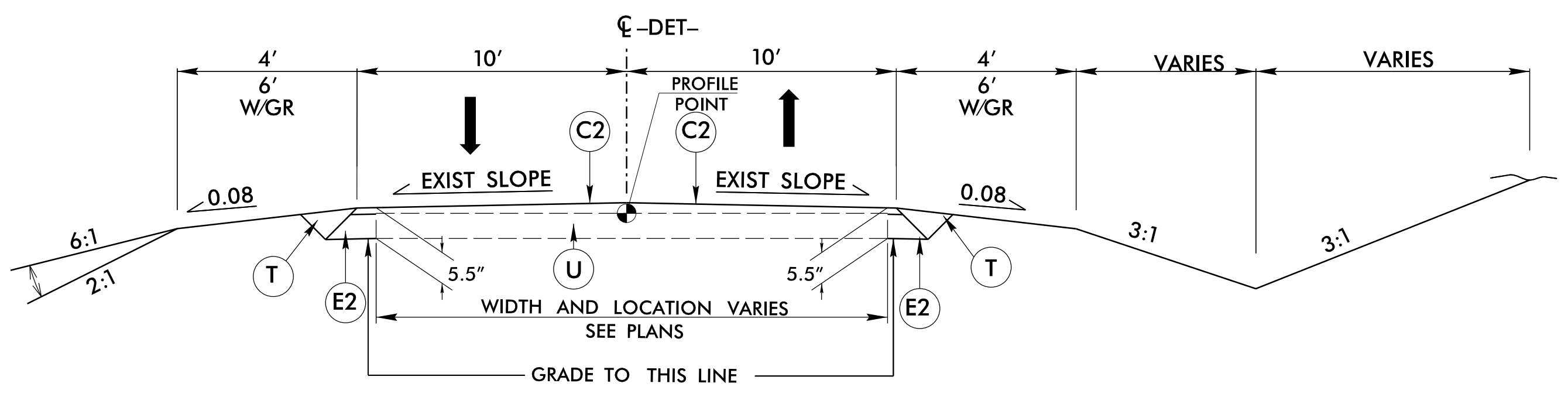
C1	3" S9.5C
C2	1.5" S9.5C
C3	VAR. S9.5C
E1	4.5" B25.0C
E2	4" B25.0C
E3	VAR. B25.0C
R1	SBG
T	EARTH MATERIAL
U	EXIST. PAVEMENT
V1	INC. MILLING
V2	MILLING (3")
W	WEDGING DETAIL



ROADWAY TYPICAL SECTION NO. 3

ROADWAY TYPICAL SECTION NO. 3

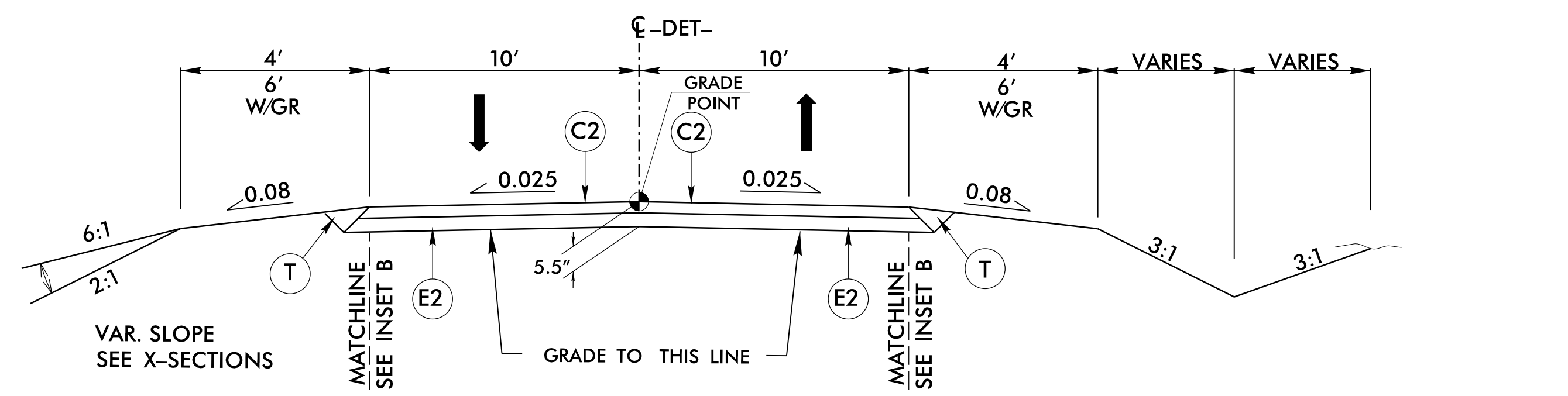
-DET- STA. 12+42.33 TO STA. 13+21.10
-DET- STA. 17+66.35 TO STA. 18+28.60



ROADWAY TYPICAL SECTION NO. 3A

ROADWAY TYPICAL SECTION NO. 3A

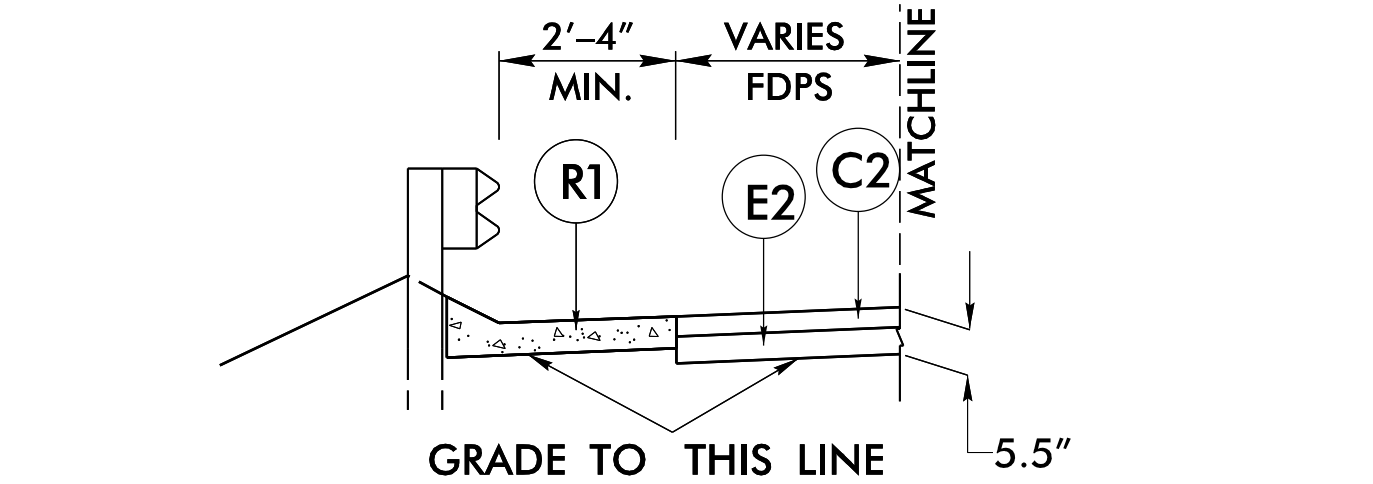
-DET- STA. 11+18.79 TO STA. 12+42.33
-DET- STA. 18+28.60 TO STA. 19+34.87



ROADWAY TYPICAL SECTION NO. 4

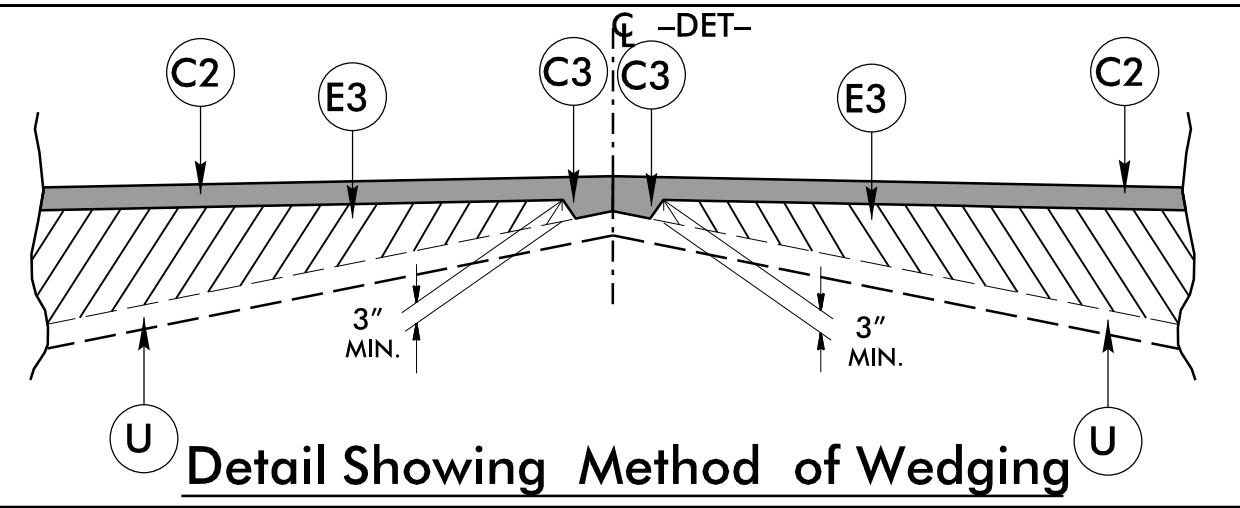
ROADWAY TYPICAL SECTION NO. 4

-DET- STA. 13+21.10 TO STA. 15+20.00
-DET- STA. 16+10.00 TO STA. 17+66.35

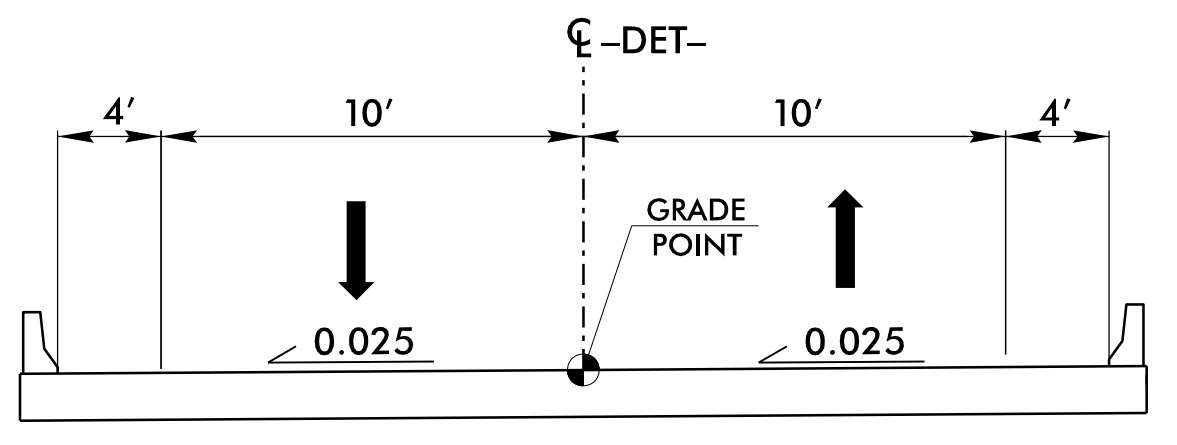


DETAIL SHOWING SHOULDER BERM GUTTER (SBG) ON TOP OF SUBGRADE

-DET- STA. 16+10.40 (APP. SLAB) TO 16+40.10 LT
USE ROADWAY TYPICAL SECTION NO. 4

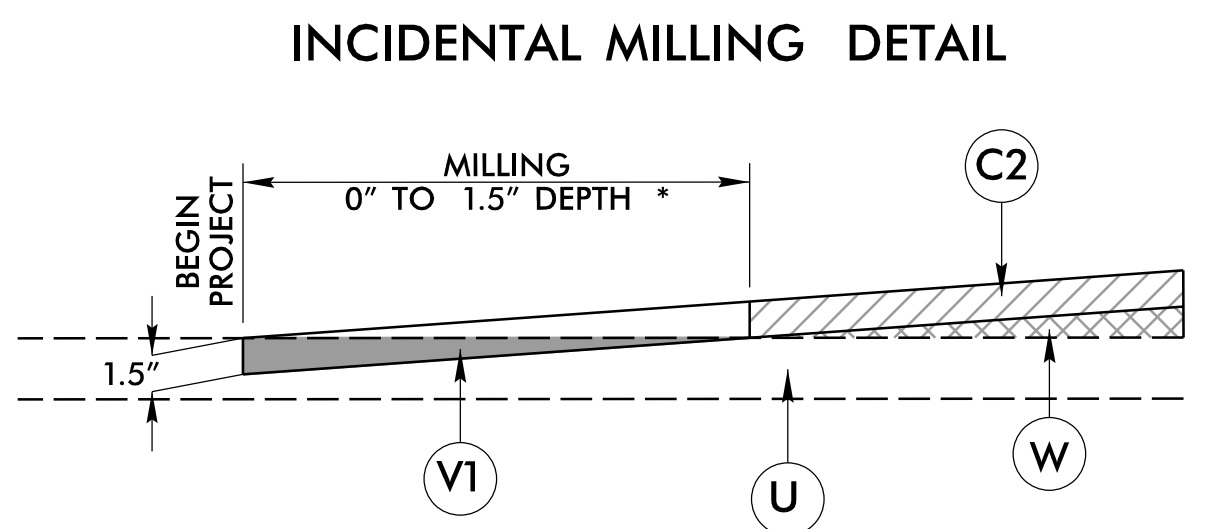


Detail Showing Method of Wedging



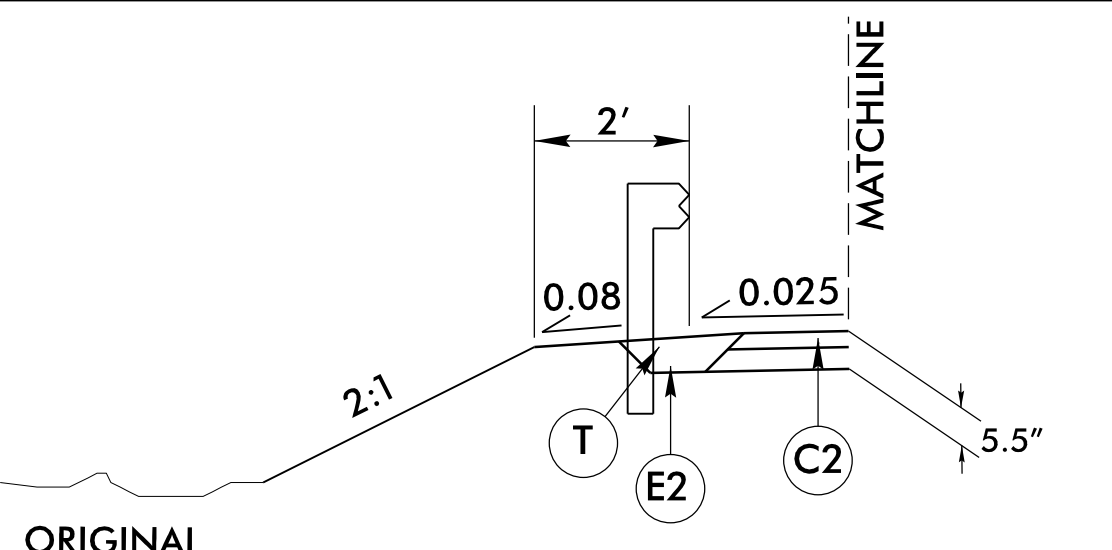
-DET- BRIDGE TYPICAL SECTION

-DET- BRIDGE TYPICAL SECTION
-DET- STA. 15+20.00 TO STA. 16+10.00

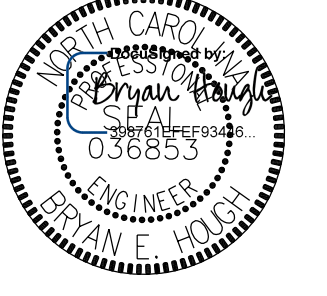
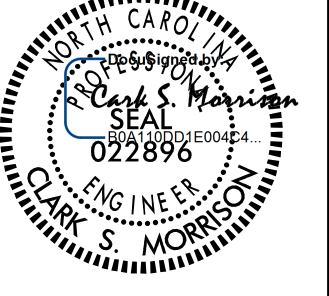
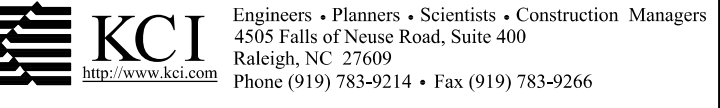


INCIDENTAL MILLING DETAIL

NOTE: MIRROR FOR END PROJECT * MILL DEPTH AS SHOWN ON PLANS OR AS DIRECTED BY THE ENGINEER



INSET B
USE IN GUARDRAIL LOCATIONS ON -DET-

PROJECT REFERENCE NO. B-5662	SHEET NO. 2A-2
ROADWAY DESIGN ENGINEER  4/22/2020	PAVEMENT DESIGN ENGINEER  4/22/2020
DOCUMENT NOT CONSIDERED FINAL UNLESS ALL SIGNATURES COMPLETED	
 KCI Engineers • Planners • Scientists • Construction Managers 4505 Falls of Neuse Road, Suite 400 Raleigh, NC 27609 Phone (919) 783-9214 • Fax (919) 783-9266	

P:\2018\180718\180718-21 B-5662\Roadway\Proj\B-5662.Rdy_tup.dgn
 22 APR 2020 10:35 AM
 180718-21 B-5662\Roadway\Proj\B-5662.Rdy_tup.dgn
 180718-21 B-5662\Roadway\Proj\B-5662.Rdy_tup.dgn