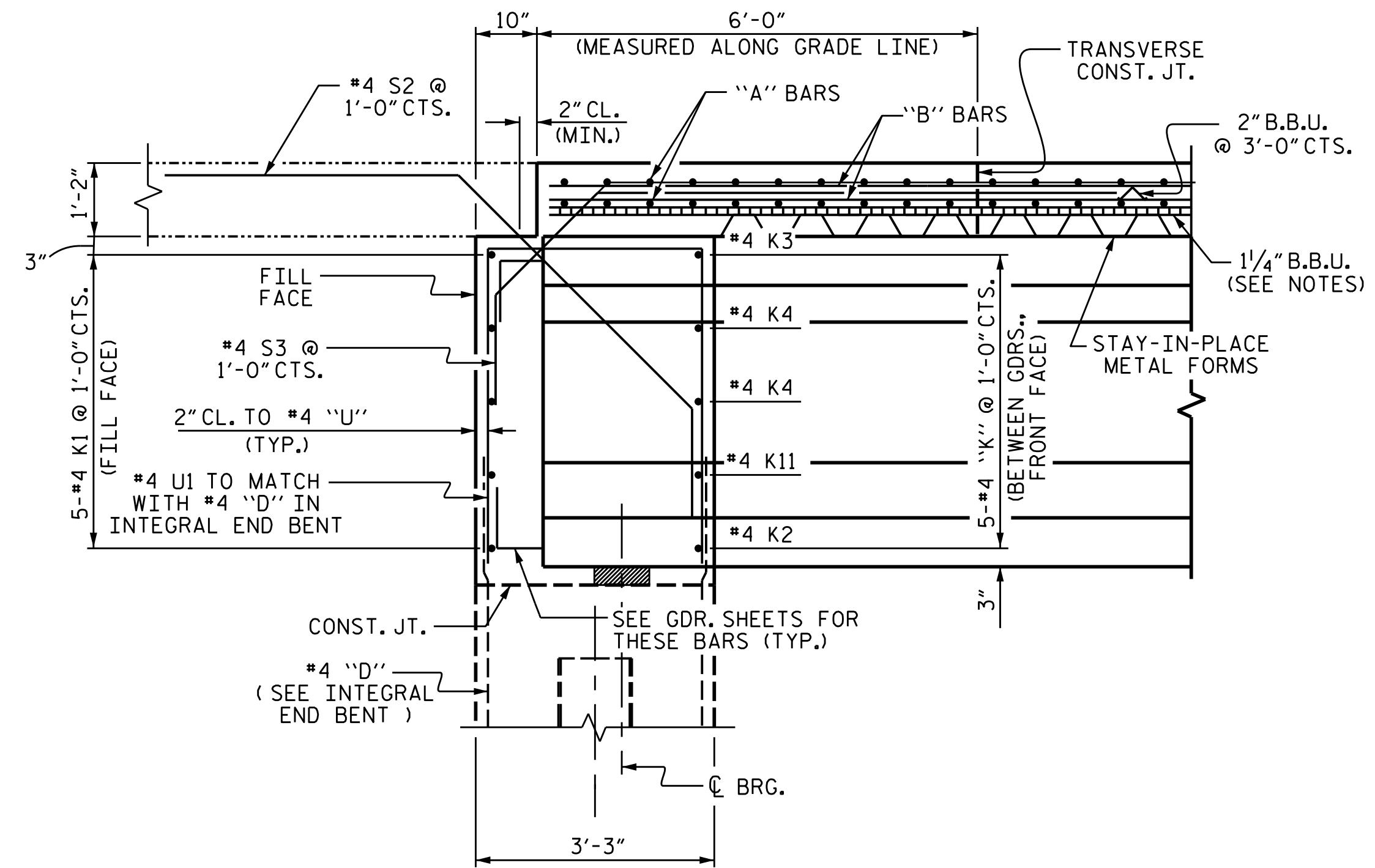
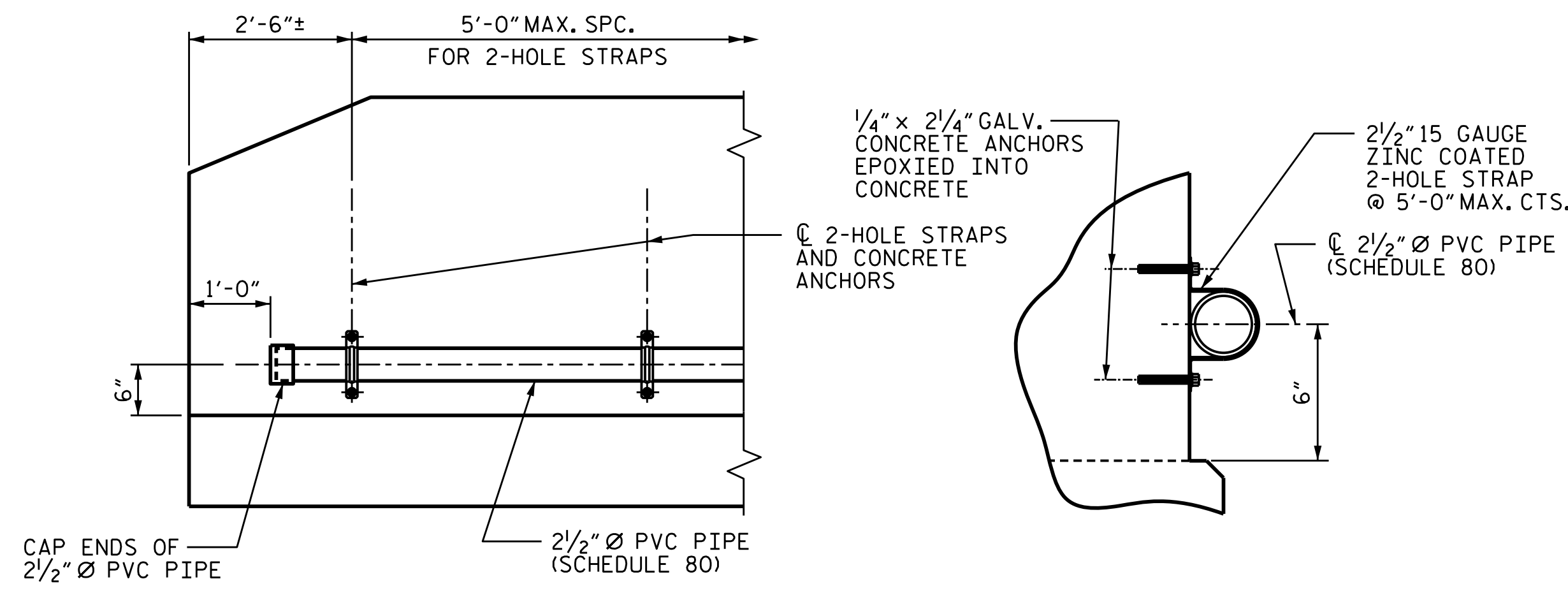


SECTION THRU BENT DIAPHRAGM

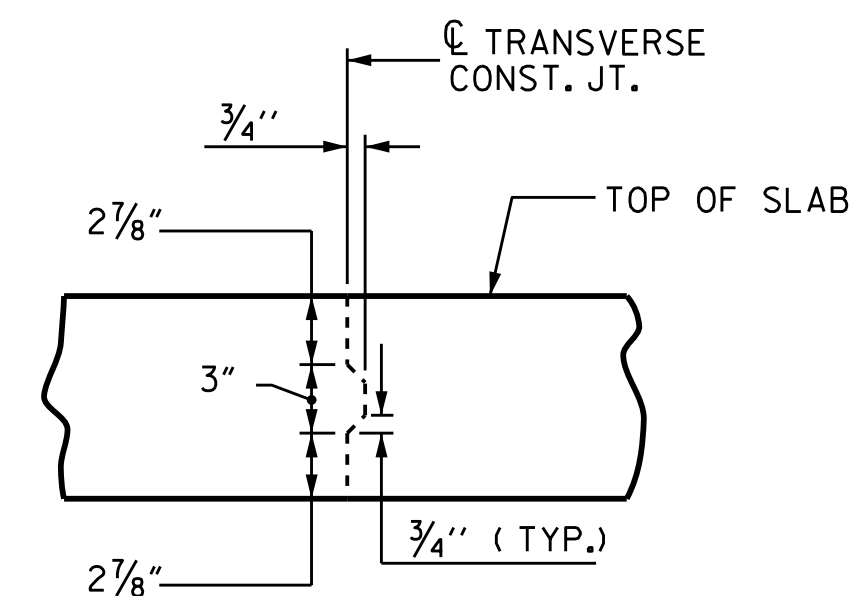


SECTION THRU INTEGRAL END BENT



FIBER OPTIC CONDUIT SYSTEM DETAILS

2 1/2" Ø SCHEDULE 80 PVC PIPE ATTACHED TO THE BACK OF BOTH RAILS FOR FUTURE FIBER OPTIC CABLE.



TRANSVERSE CONSTRUCTION JOINT DETAIL

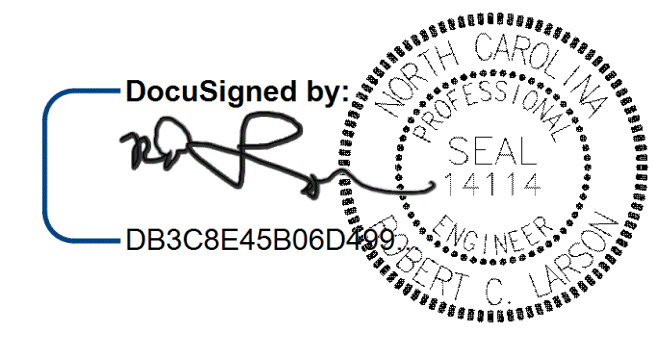
NOTE: REINFORCING STEEL IN SLAB NOT SHOWN. LONGITUDINAL REINFORCING STEEL SHALL BE CONTINUOUS THRU JOINT

PROJECT NO. B-5671
EDGEcombe COUNTY
 STATION: 17+00.00 -L-

SHEET 3 OF 3

STATE OF NORTH CAROLINA
 DEPARTMENT OF TRANSPORTATION
 RALEIGH

**SUPERSTRUCTURE
 TYPICAL SECTION**



1/24/2020

DESIGN ENGINEER OF RECORD:	DATE:
<i>(Signature)</i>	1/24/2020
DRAWN BY: A. K. ALLANKI	DATE: 06/17/19
CHECKED BY: R. C. LARSON	DATE: 06/24/19

**DOCUMENT NOT CONSIDERED FINAL
 UNLESS ALL SIGNATURES COMPLETED**



REVISIONS		SHEET NO.	
NO.	DATE	NO.	DATE
1		3	
2		4	

TOTAL SHEETS: 29

KCI PROJ. #251801945.24