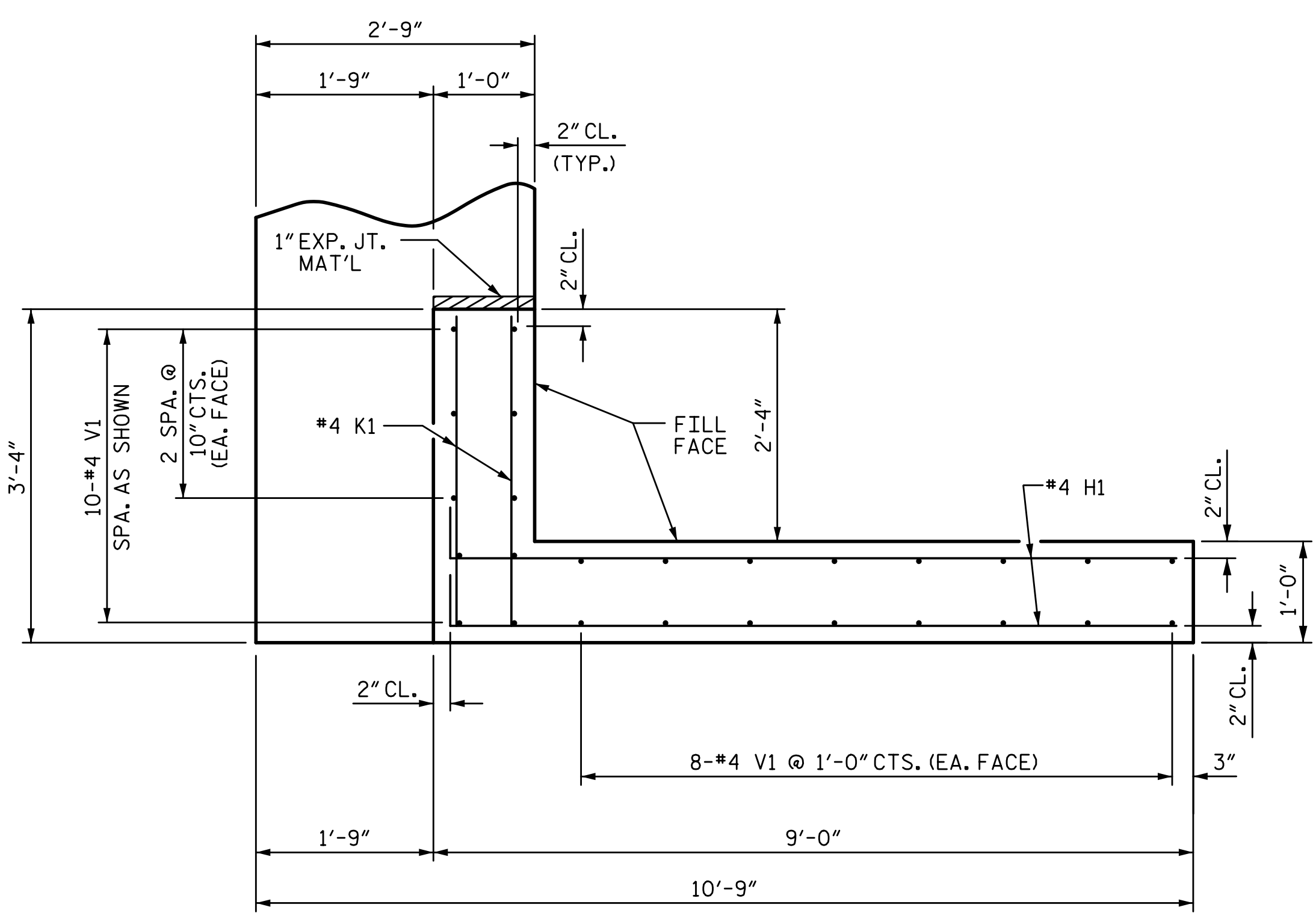
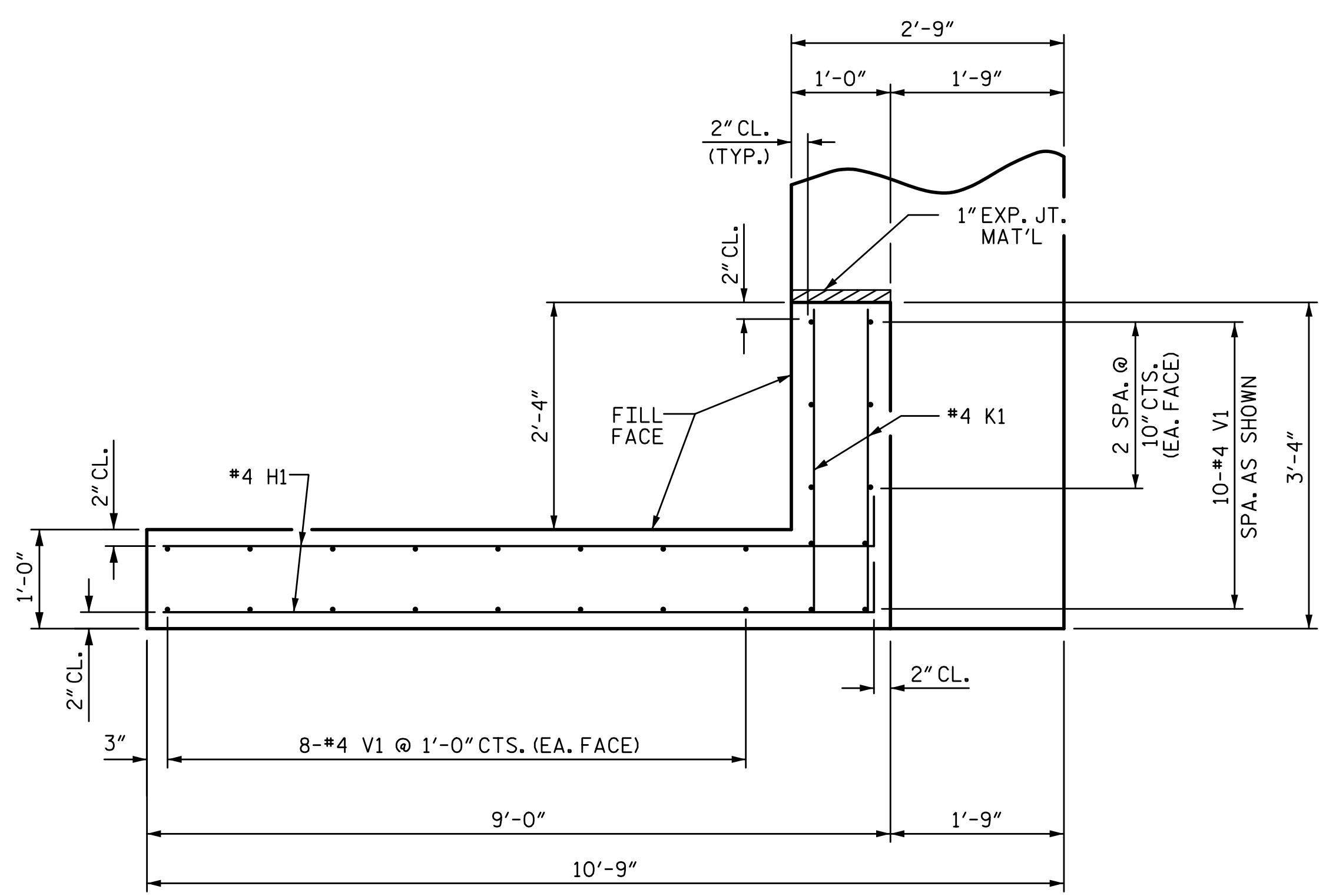


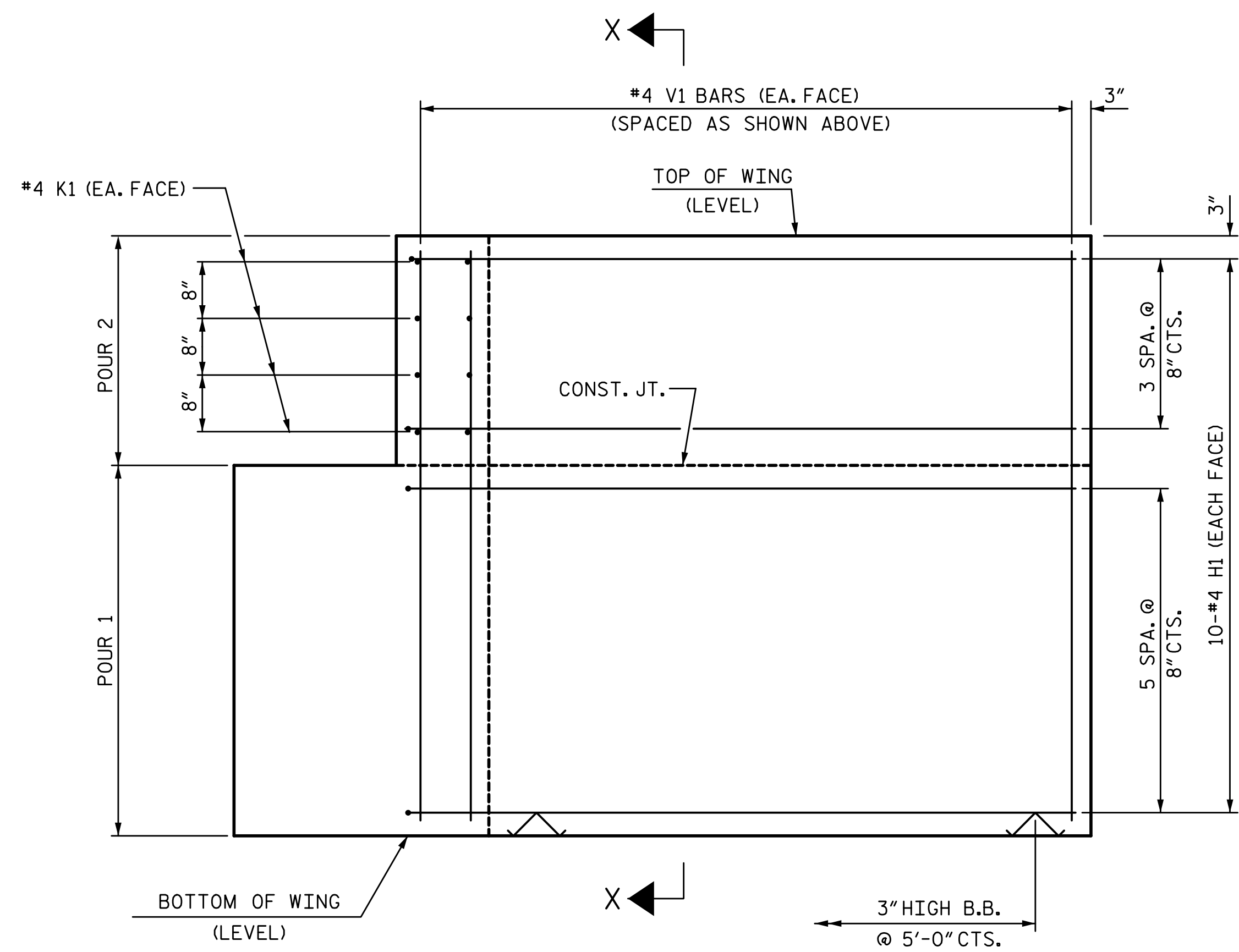
4/7/2020 4:10:50 PM G:\Projects\2018\Division 3 (SEA)\B-5639 (Duplin 36 NC11 over MaxwellCreek)\Structures\Drawings\Final\B5639_SMJ_EB_300036.dgn



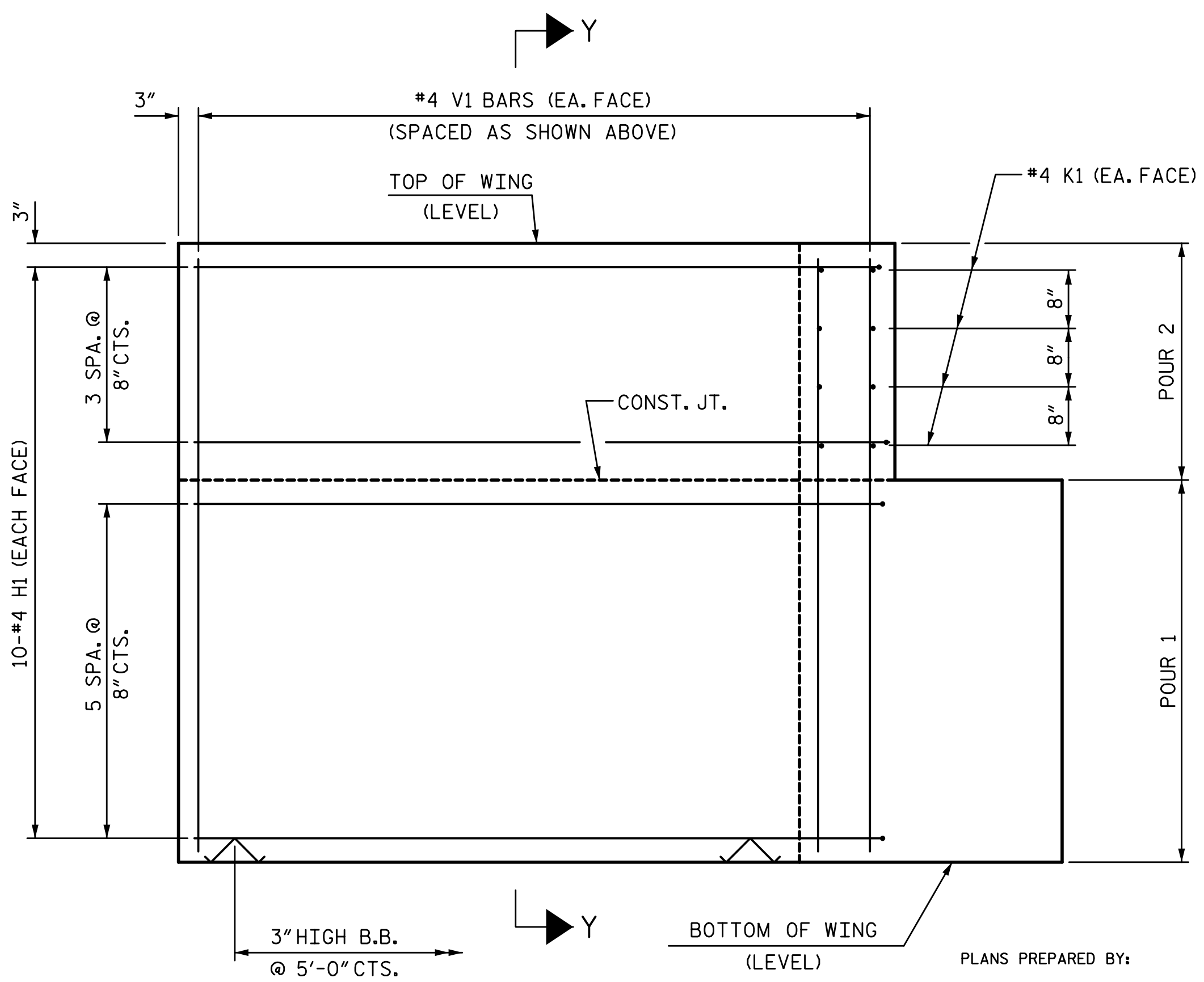
PLAN OF WING (W1)



PLAN OF WING (W2)

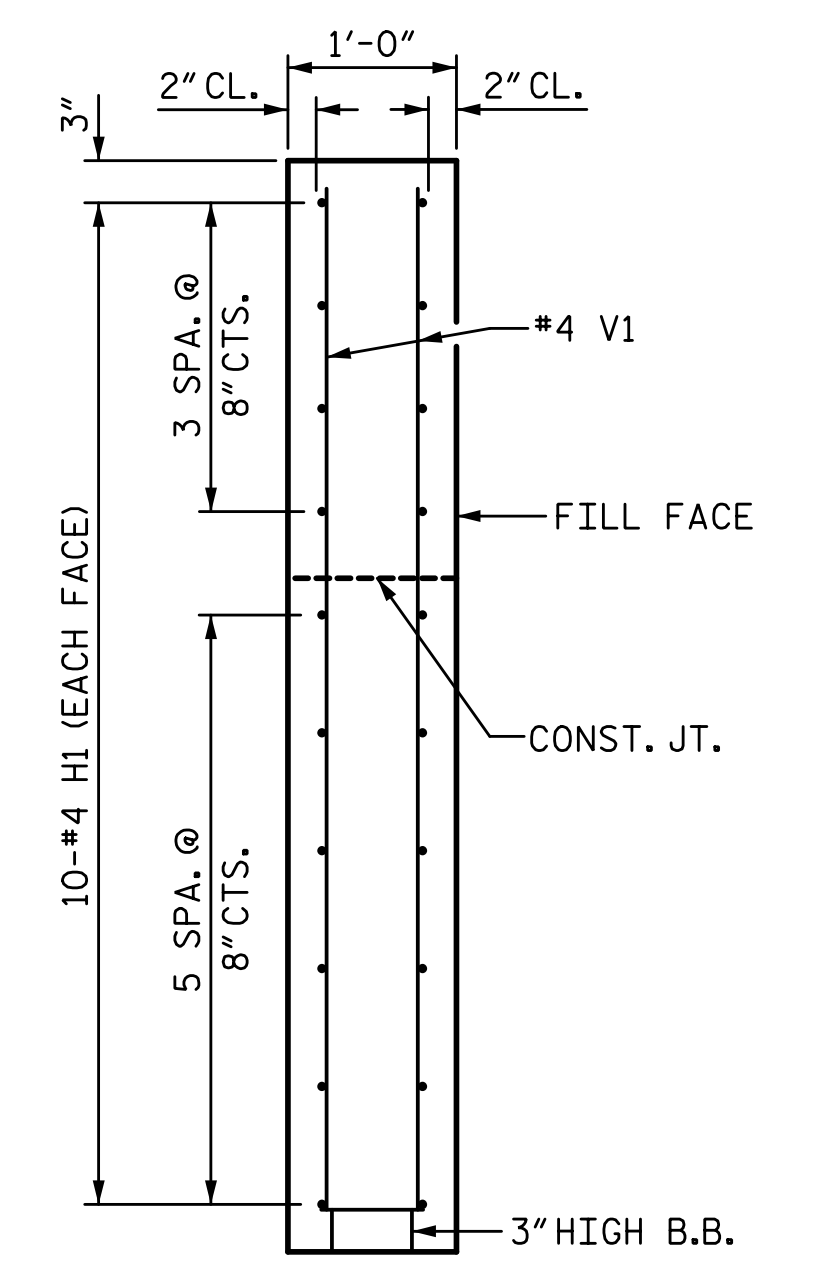


ELEVATION OF WING (W1)

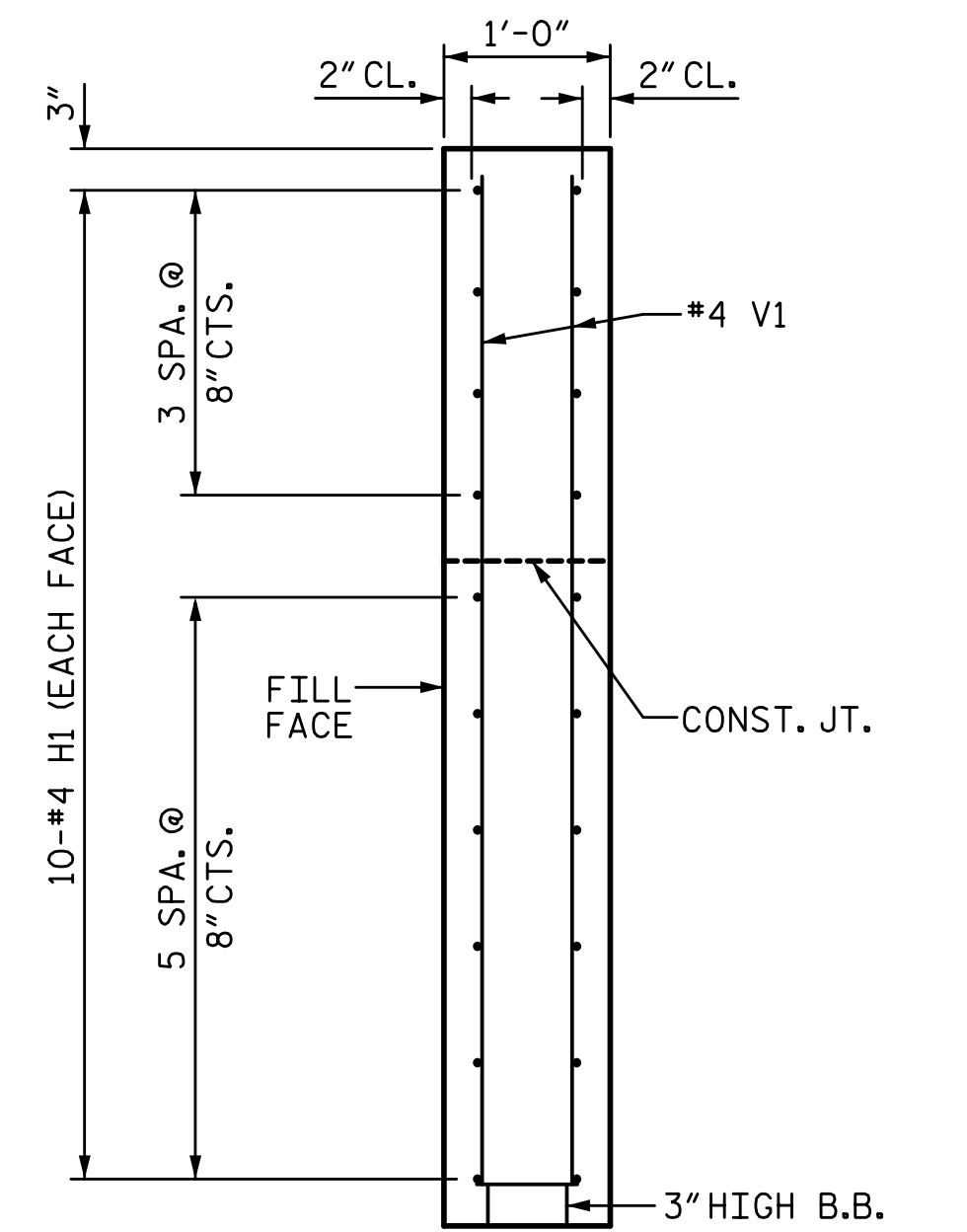


ELEVATION OF WING (W2)

WING DETAILS



SECTION X-X



SECTION Y-Y

PROJECT NO. B-5639
DUPLIN COUNTY
 STATION: 23+55.00 -L-

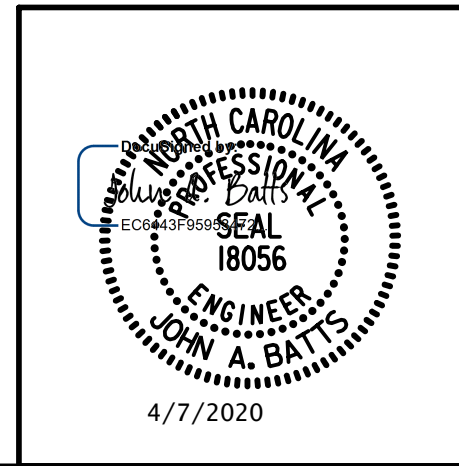
SHEET 3 OF 4

STATE OF NORTH CAROLINA
 DEPARTMENT OF TRANSPORTATION
 RALEIGH
 SUBSTRUCTURE

END BENT
 WING DETAILS

REVISIONS						SHEET NO.
NO.	BY:	DATE:	NO.	BY:	DATE:	S-15
1			3			TOTAL SHEETS
2			4			25

PLANS PREPARED BY:
SEA & A
 SIMPSON ENGINEERS ASSOCIATES
 5640 Dillard Drive
 Suite 200
 Cary, NC 27518
 (919) 852-0468
 (919) 852-0538 (Fax)
 www.simpsonenr.com
 LICENSURE NO. C-2521



DRAWN BY: T. BANKOVICH	DATE: 2-20
CHECKED BY: J.A. BATTS	DATE: 2-20
DESIGN ENGINEER OF RECORD: J.A. BATTS	DATE: 2-20

DOCUMENT NOT CONSIDERED FINAL
 UNLESS ALL SIGNATURES COMPLETED