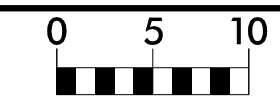


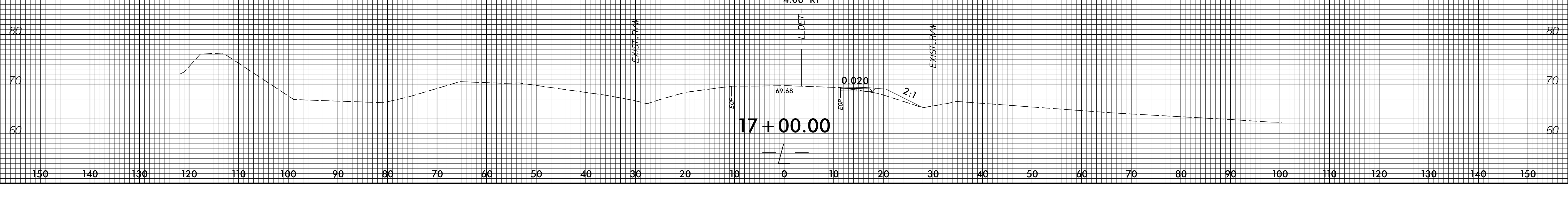
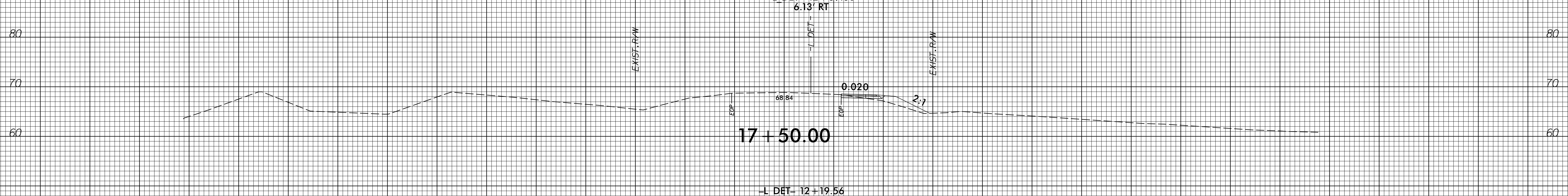
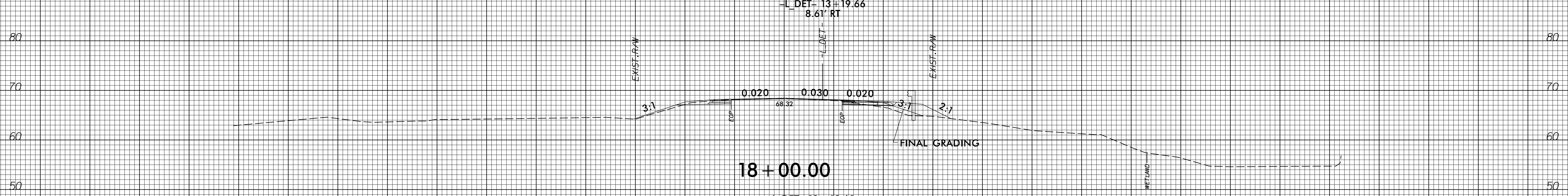
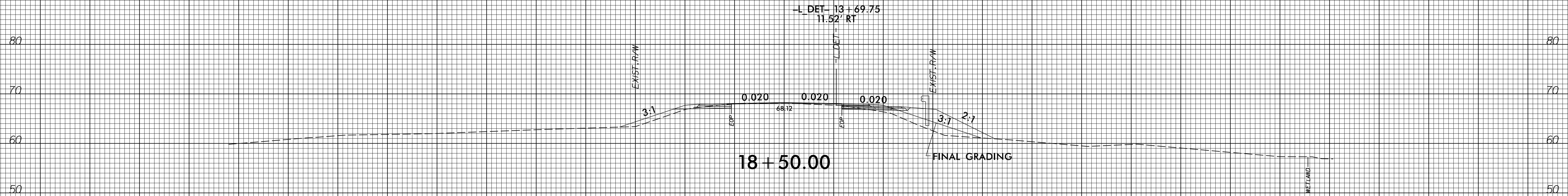
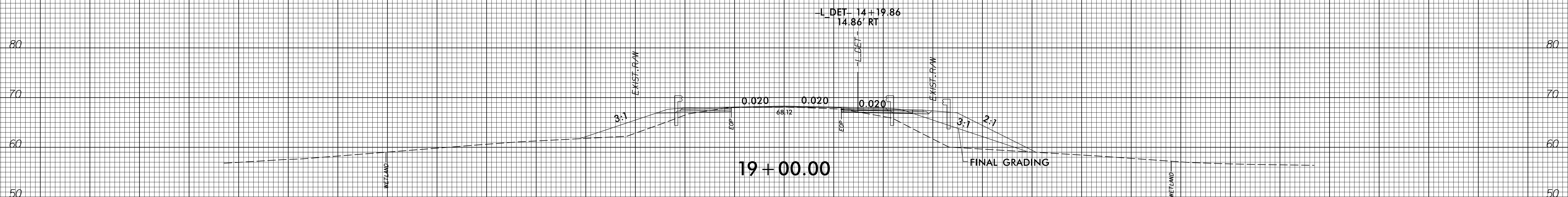
6/23/16



PROJ. REFERENCE NO.
B-5639

SHEET NO.
X-2

150 140 130 120 110 100 90 80 70 60 50 40 30 20 10 0 10 20 30 40 50 60 70 80 90 100 110 120 130 140 150



150 140 130 120 110 100 90 80 70 60 50 40 30 20 10 0 10 20 30 40 50 60 70 80 90 100 110 120 130 140 150

I:\614318\161623dy\CorridorModeling\B-5639_rdy_XPL_L&LDET.dgn