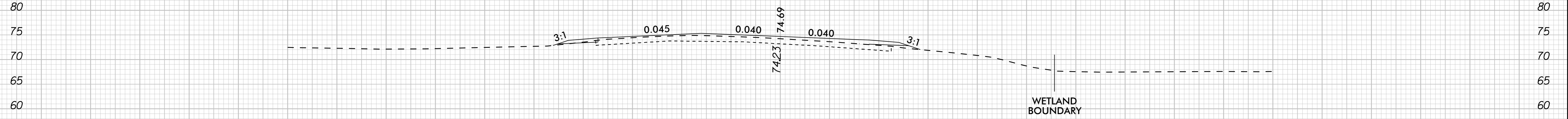


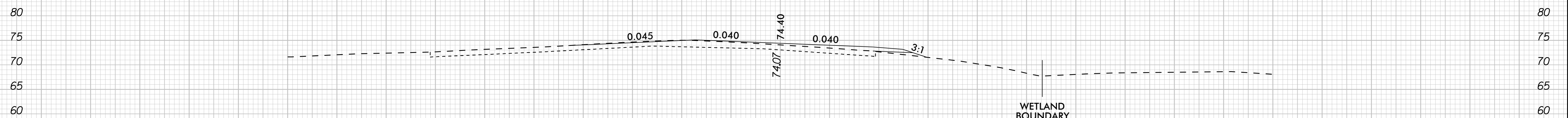


8/23/19

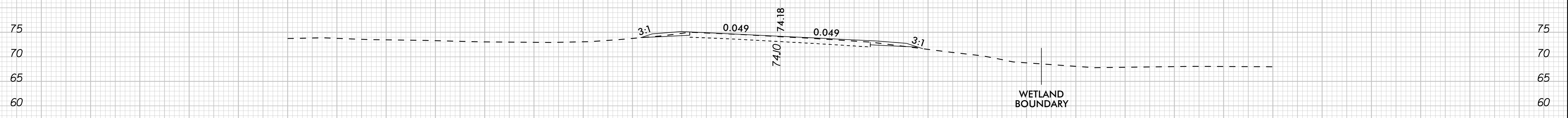
|        |                               |                  |
|--------|-------------------------------|------------------|
| 0 5 10 | PROJ. REFERENCE NO.<br>B-5534 | SHEET NO.<br>X-1 |
|--------|-------------------------------|------------------|



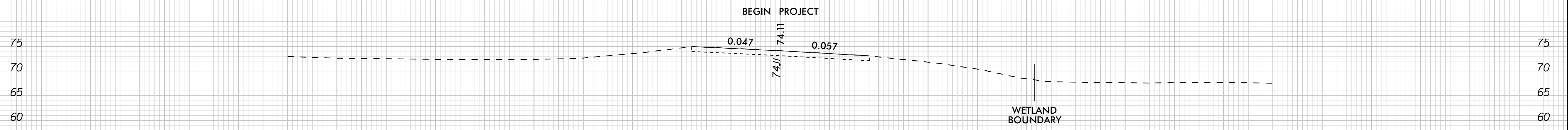
80  
75  
70  
65  
60



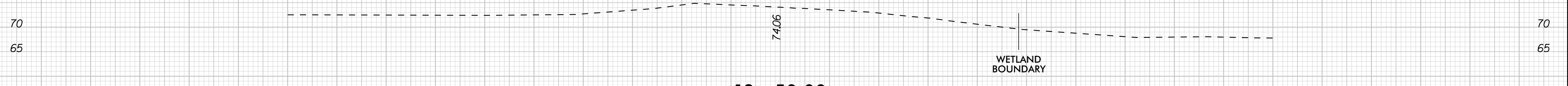
80  
75  
70  
65  
60



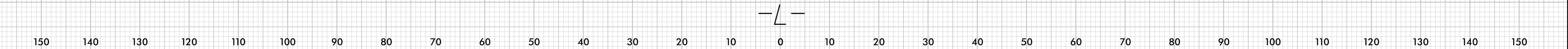
75  
70  
65  
60



75  
70  
65  
60

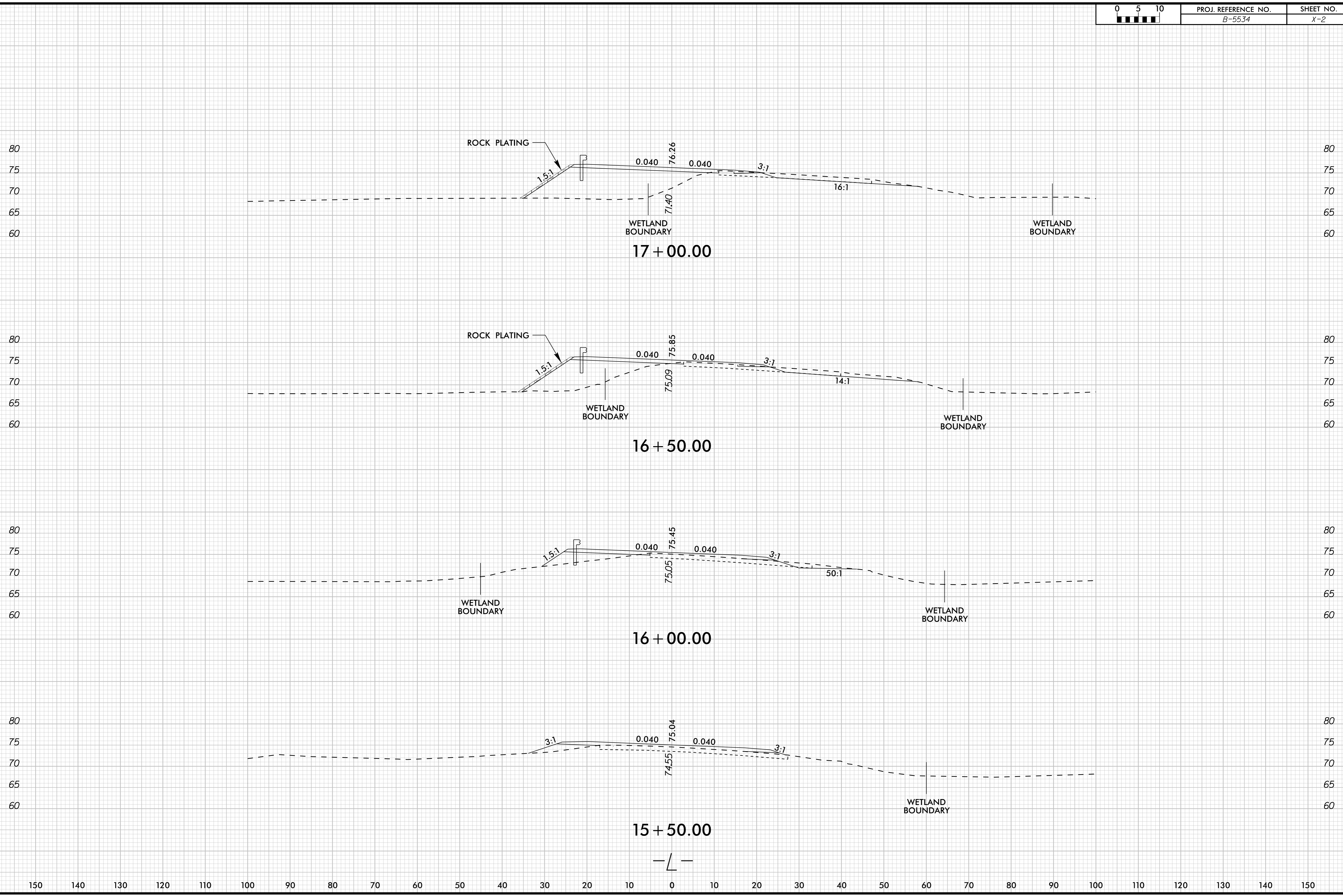


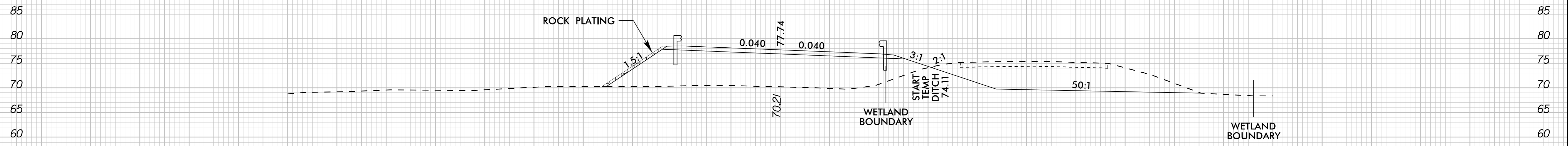
70  
65



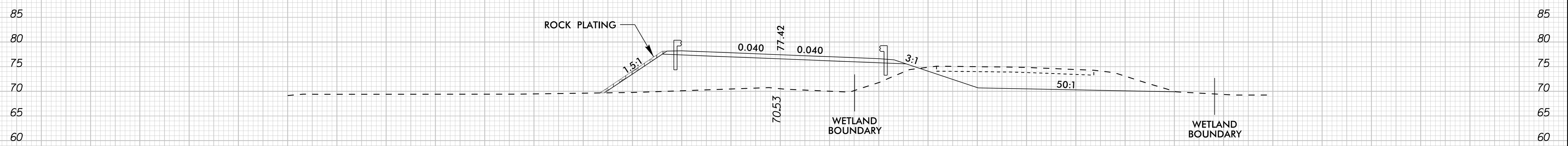
150 140 130 120 110 100 90 80 70 60 50 40 30 20 10 0 10 20 30 40 50 60 70 80 90 100 110 120 130 140 150

3/13/2020

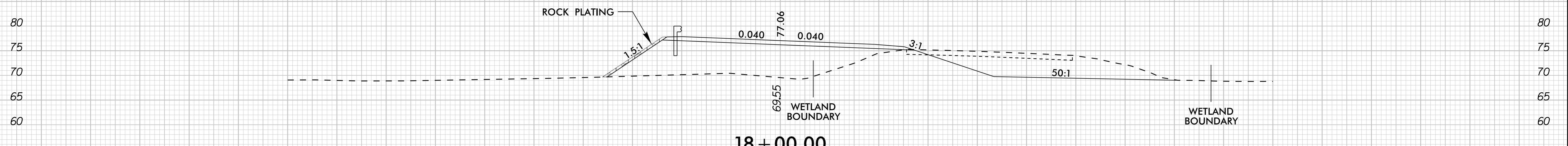




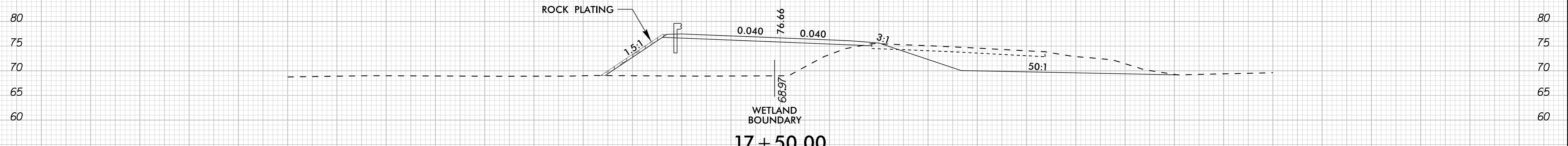
19 + 00.00



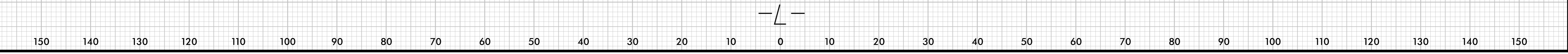
18 + 50.00

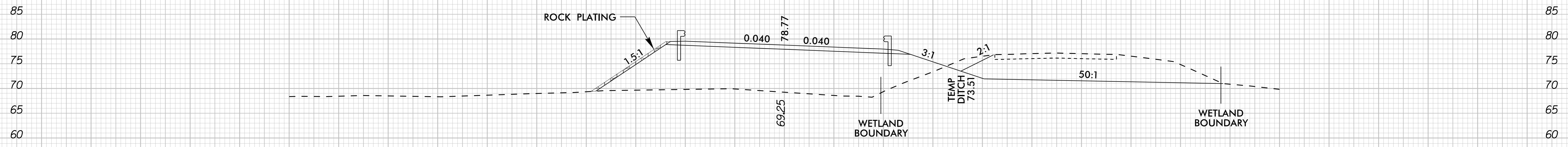


18 + 00.00

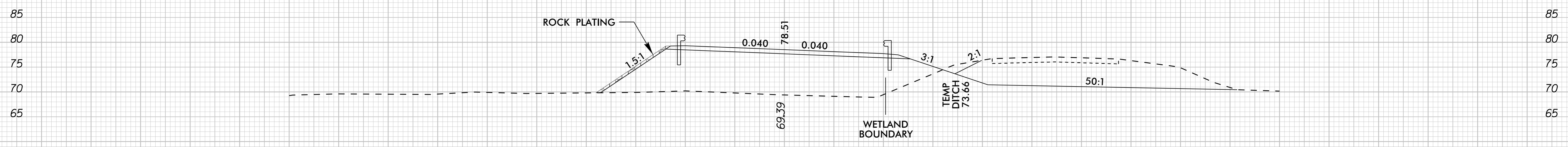


17 + 50.00

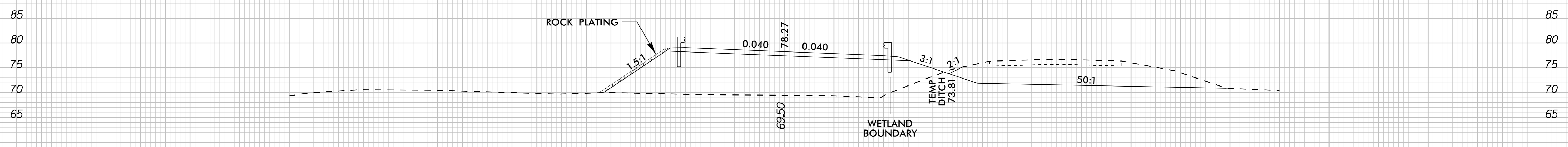




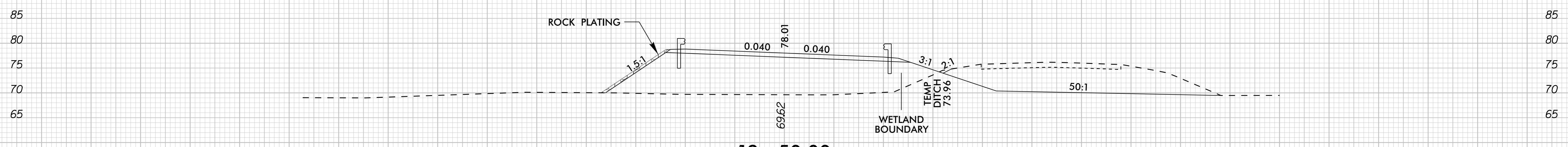
21 + 00.00



20 + 50.00



20 + 00.00



19 + 50.00

— / —

