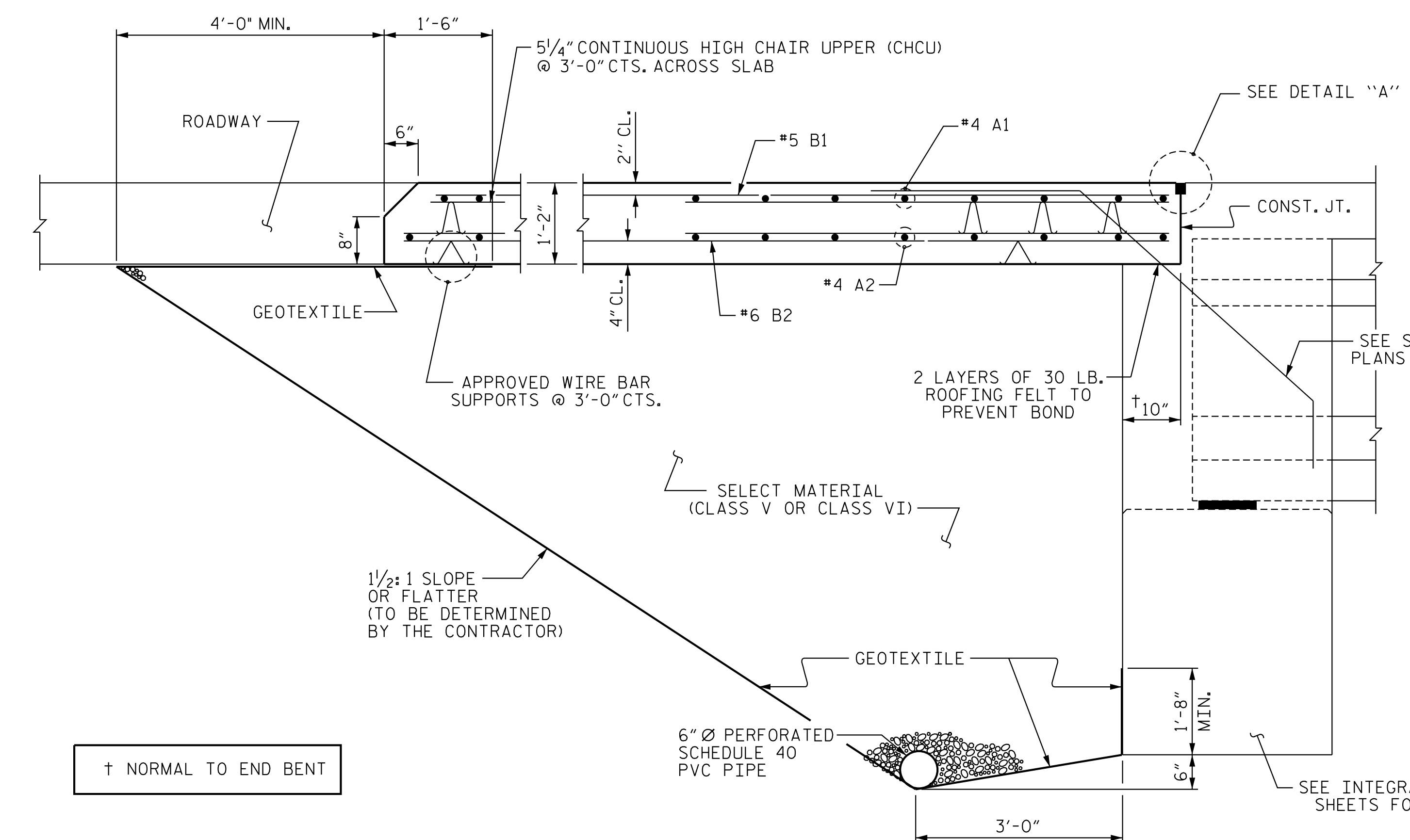
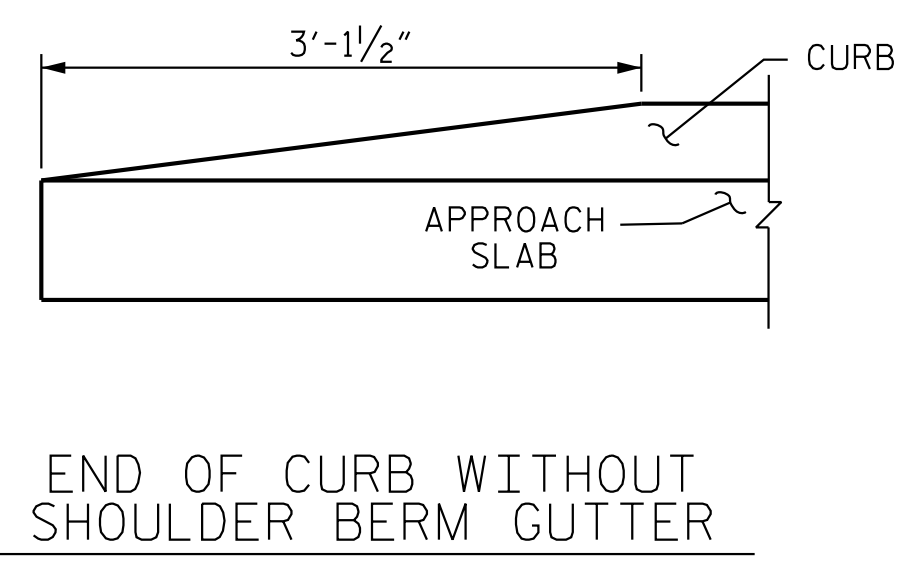
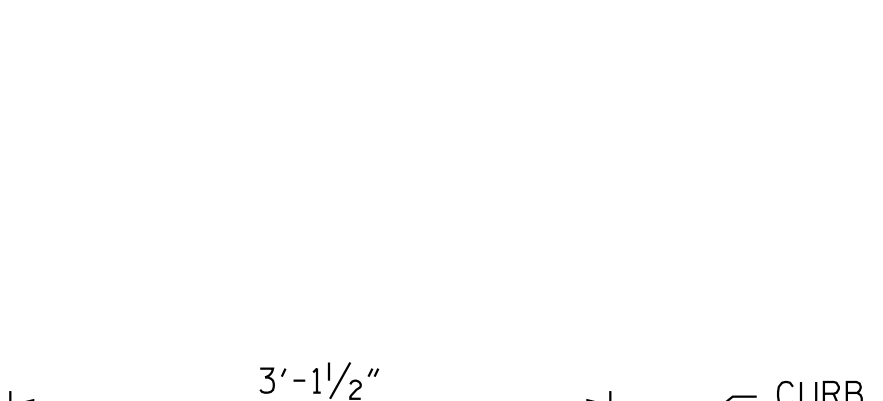
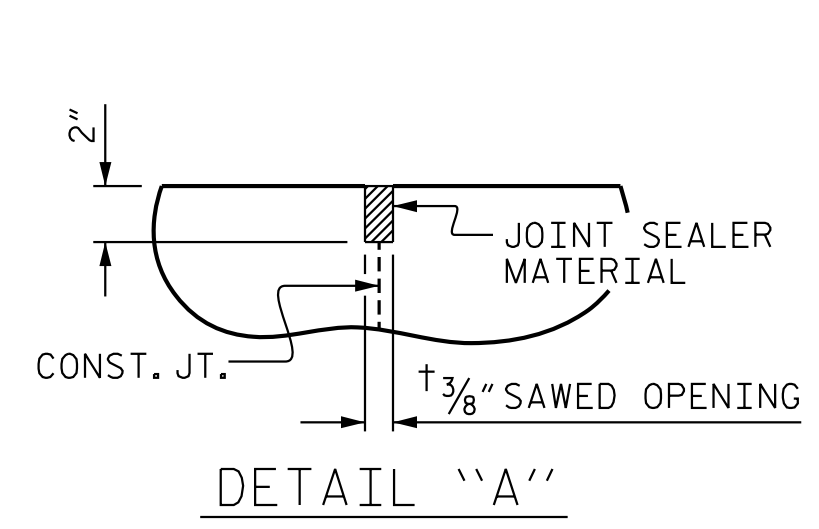


PLAN @ END BENT 1
PLAN @ END BENT 2
DIMENSIONS SHOWN ARE TYPICAL FOR BOTH APPROACH SLABS



SECTION THRU SLAB
(TYPE I - STANDARD APPROACH FILL)



NOTES

APPROACH SLAB SHALL NOT BE CONSTRUCTED PRIOR TO COMPLETION OF THE BRIDGE DECK.

FOR BRIDGE APPROACH FILL INCLUDING GEOTEXTILE, 6" Ø DRAINAGE PIPE, AND SELECT MATERIAL, SEE ROADWAY PLANS.

GEOTEXTILE SHALL BE TYPE 1 IN ACCORDANCE WITH THE STANDARD SPECIFICATIONS SECTION 1056.

SELECT MATERIAL BACKFILL (CLASS V OR CLASS VI) SHALL BE IN ACCORDANCE WITH STANDARD SPECIFICATIONS SECTION 1016.

SELECT MATERIAL BACKFILL IS TO BE CONTINUOUS ALONG FILL FACE OF BACKWALL FROM OUTSIDE EDGE TO OUTSIDE EDGE OF APPROACH SLAB.

FOR THE 6" Ø DRAINAGE PIPE OUTLET(S), SEE ROADWAY STANDARD DRAWINGS.

AREA BETWEEN THE WINGWALL AND APPROACH SLAB SHALL BE GRADED TO DRAIN THE WATER AWAY FROM THE FILL FACE OF THE BRIDGE AND SHALL BE PAVED. SEE ROADWAY PLANS.

THE JOINT OPENING AT THE APPROACH SLAB/DECK INTERFACE SHALL BE SAWED NO MORE THAN 12 HOURS AFTER THE APPROACH SLAB IS CAST. THE JOINT SHALL BE CLEANED OF ALL DEBRIS BEFORE THE SEALANT IS APPLIED. THE JOINT SEALER MATERIAL SHALL CONFORM TO THE REQUIREMENTS OF SECTION 1028-3 OF THE STANDARD SPECIFICATIONS.

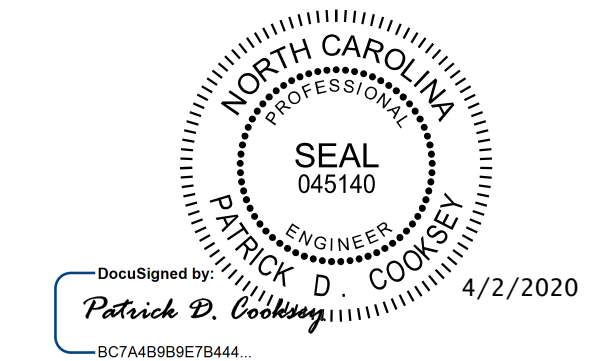
AT THE CONTRACTORS OPTION, "TYPE A - ALTERNATE APPROACH FILL" IN LIEU OF "TYPE I - STANDARD APPROACH FILL" MAY BE CONSTRUCTED AT NO ADDITIONAL COST TO THE DEPARTMENT. SEE SHEET 2 OF 2 FOR DETAILS AND NOTES.

BILL OF MATERIAL						
FOR ONE APPROACH SLAB (2 REQ'D)						
BAR	NO.	SIZE	TYPE	LENGTH	WEIGHT	
* A1	52	#4	STR	21'-6"	747	
A2	52	#4	STR	21'-4"	741	
* B1	82	#5	STR	24'-2"	2,067	
B2	82	#6	STR	24'-8"	3,038	
REINFORCING STEEL					3,779 LBS.	
* EPOXY COATED REINFORCING STEEL					2,814 LBS.	
CLASS AA CONCRETE					44.9 C. Y.	

SPlice LENGTHS		
BAR SIZE	EPOXY COATED	UNCOATED
#4	1'-11"	1'-7"
#5	2'-5"	2'-0"
#6	3'-7"	2'-5"

PROJECT NO. B-5534
DUPLIN COUNTY
STATION: 21+68.50 -L-

SHEET 1 OF 2



Kimley-Horn
421 Fayetteville Street, Suite 600
Raleigh, NC 27601-1772
Phone (919) 677-2000
NC LICENSE # F-0102

STATE OF NORTH CAROLINA
DEPARTMENT OF TRANSPORTATION
RALEIGH
STANDARD
BRIDGE APPROACH SLAB
FOR INTEGRAL ABUTMENT
WITH FLEXIBLE PAVEMENT

REVISIONS					SHEET NO.
NO.	BY:	DATE:	NO.	DATE:	S-33
1			3		TOTAL SHEETS
2			4		34

**DOCUMENT NOT CONSIDERED FINAL
UNLESS ALL SIGNATURES COMPLETED**

This document, together with the concepts and designs presented herein, is an instrument of service, is intended solely for the specific purpose and client for which it was prepared. Reuse of and engineer reliance of this document without written authorization and approval by Kimley-Horn and Associates, Inc. shall be without liability to Kimley-Horn and Associates, Inc.