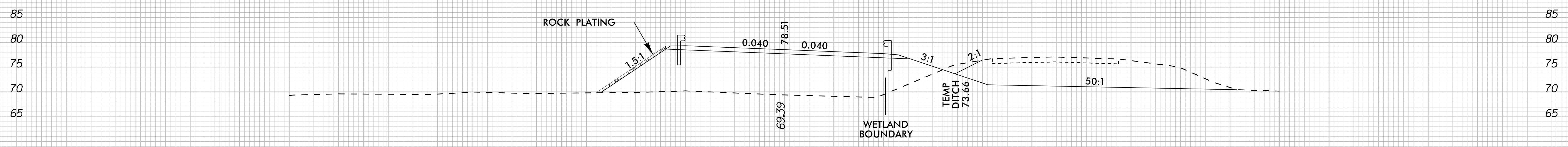
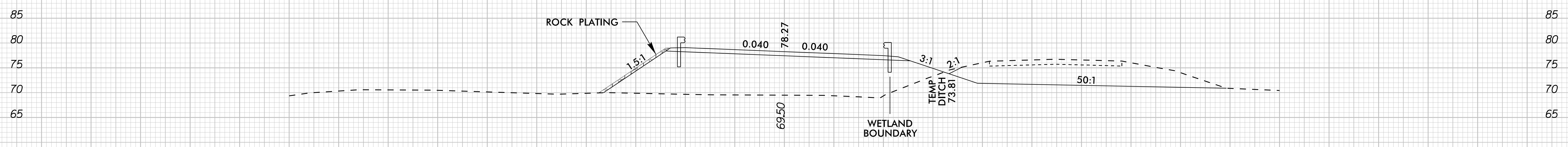


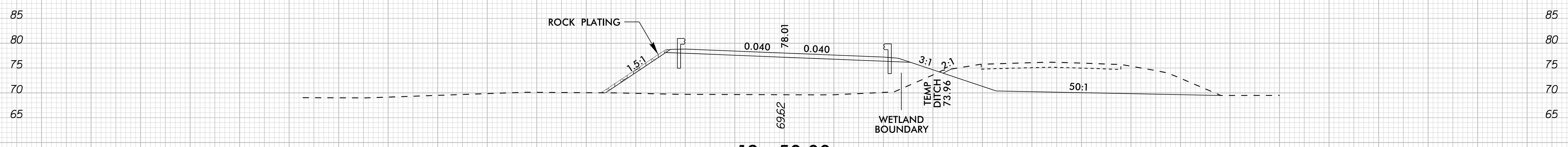
21 + 00.00



20 + 50.00



20 + 00.00



19 + 50.00

— / —