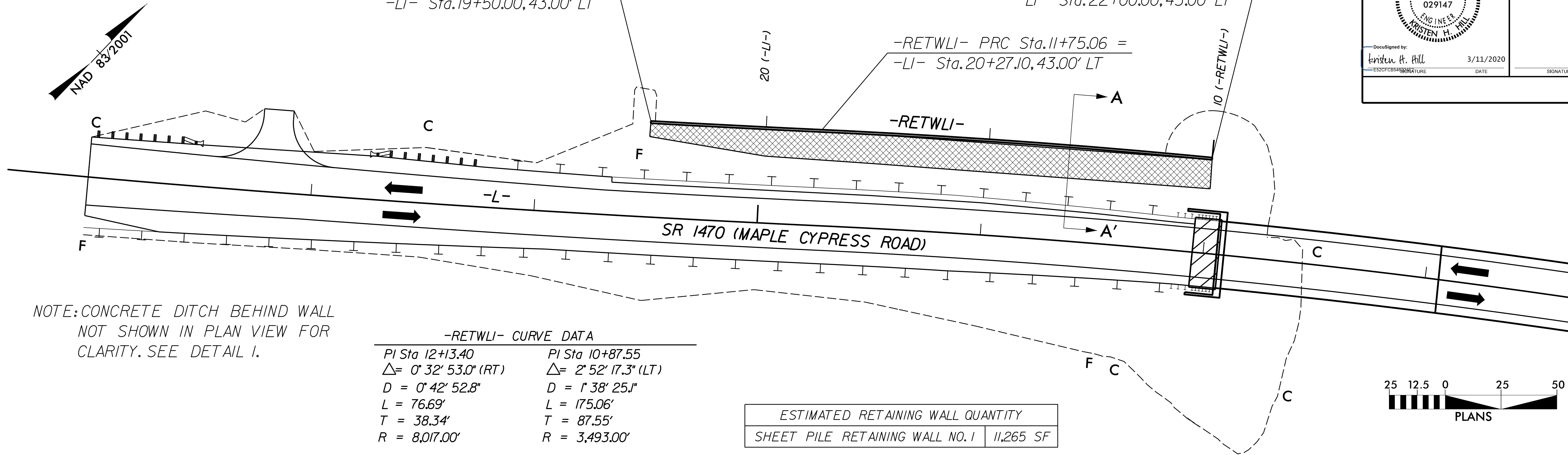


-RETWL1- DETAIL

END RETAINING WALL 1
 -RETWL1- PT Sta.12+51.74 =
 -LI- Sta.19+50.00, 43.00' LT

BEGIN RETAINING WALL 1
 -RETWL1- PC Sta.10+00.00 =
 -LI- Sta.22+00.00, 43.00' LT



NOTE: CONCRETE DITCH BEHIND WALL NOT SHOWN IN PLAN VIEW FOR CLARITY. SEE DETAIL 1.

-RETWL1- CURVE DATA

PI Sta 12+13.40	PI Sta 10+87.55
$\Delta = 0^\circ 32' 53.0''$ (RT)	$\Delta = 2^\circ 52' 17.3''$ (LT)
$D = 0^\circ 42' 52.8''$	$D = 1^\circ 38' 25.1''$
$L = 76.69'$	$L = 175.06'$
$T = 38.34'$	$T = 87.55'$
$R = 8,017.00'$	$R = 3,493.00'$

ESTIMATED RETAINING WALL QUANTITY

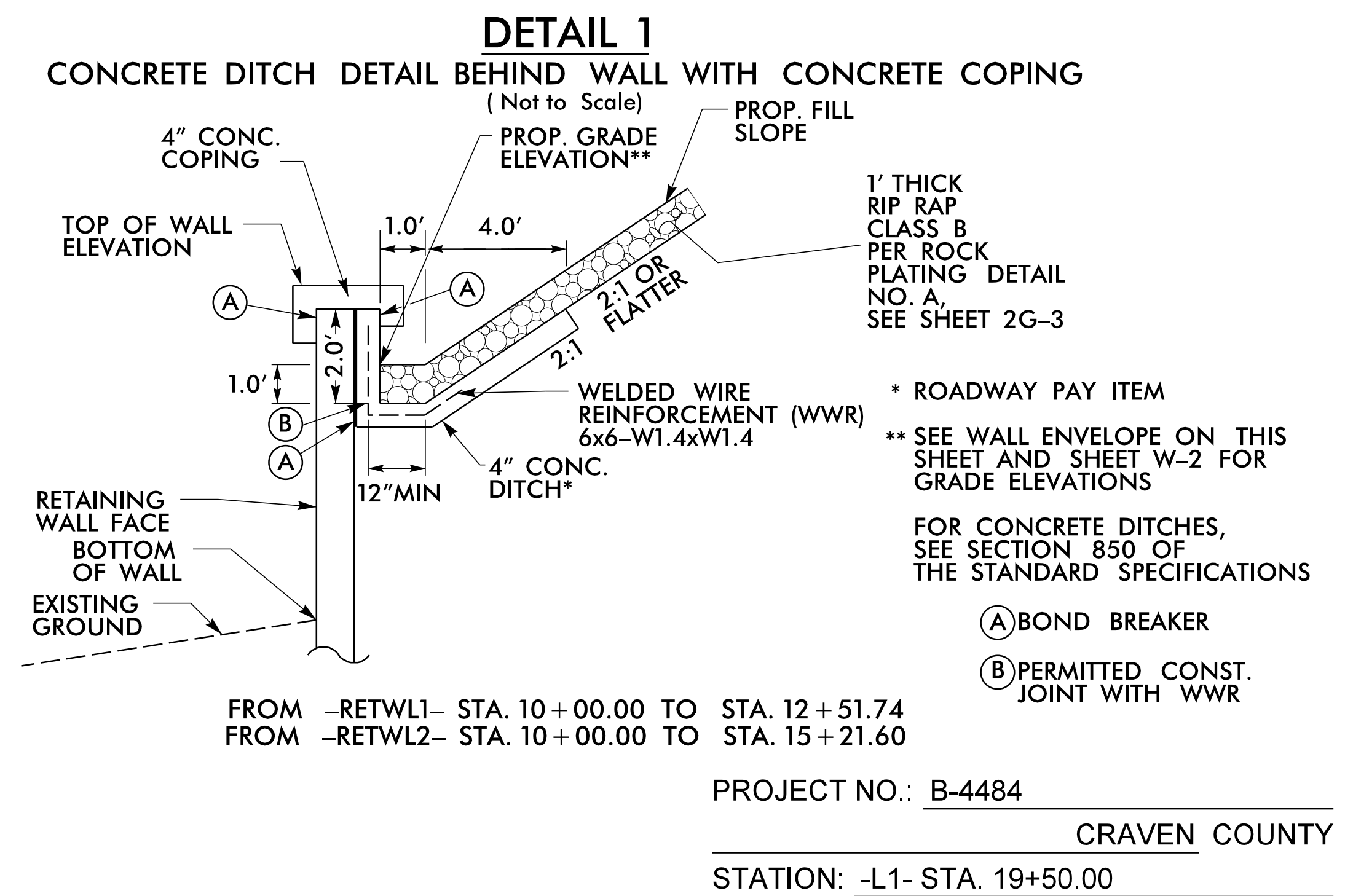
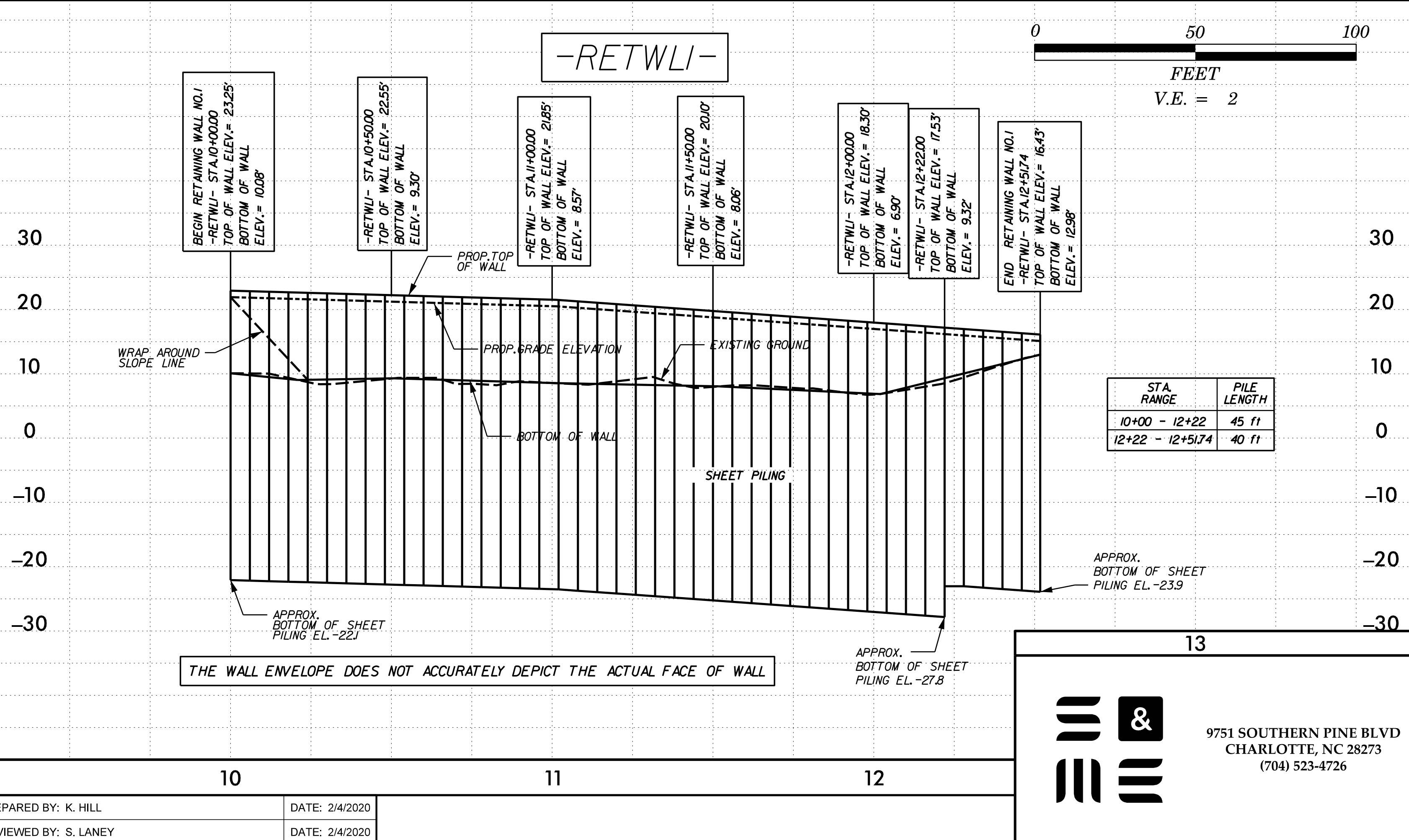
SHEET PILE RETAINING WALL NO.1	11,265 SF
--------------------------------	-----------

GEOTECHNICAL ENGINEER

ENGINEER

DocuSigned by:
 Kristen H. Hill
 3/11/2020

SEAL 029147
 ENGINEER
 KRISTEN H. HILL



PREPARED BY: K. HILL
 DATE: 2/4/2020

REVIEWED BY: S. LANEY
 DATE: 2/4/2020

9751 SOUTHERN PINE BLVD
 CHARLOTTE, NC 28273
 (704) 523-4726

NORTH CAROLINA
 DEPARTMENT OF TRANSPORTATION
 DIVISION OF HIGHWAYS

GEOTECHNICAL
 ENGINEERING UNIT

RETAINING WALL NO 1
 LOCATION PLAN & ENVELOPE

REVISIONS					
NO.	BY	DATE	NO.	BY	DATE
1	-	-	3	-	-
2	-	-	4	-	-

SHEET NO. W-1