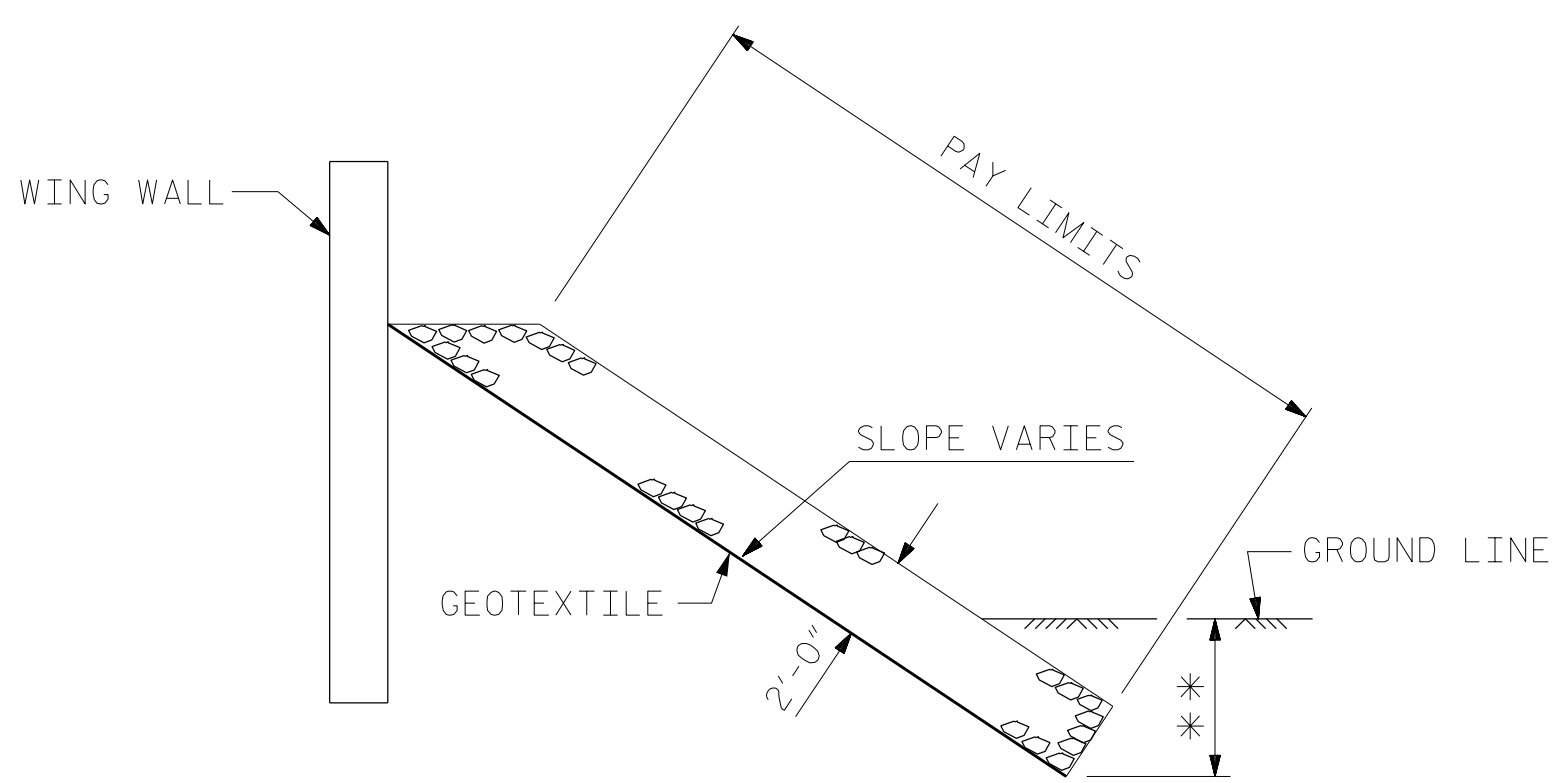
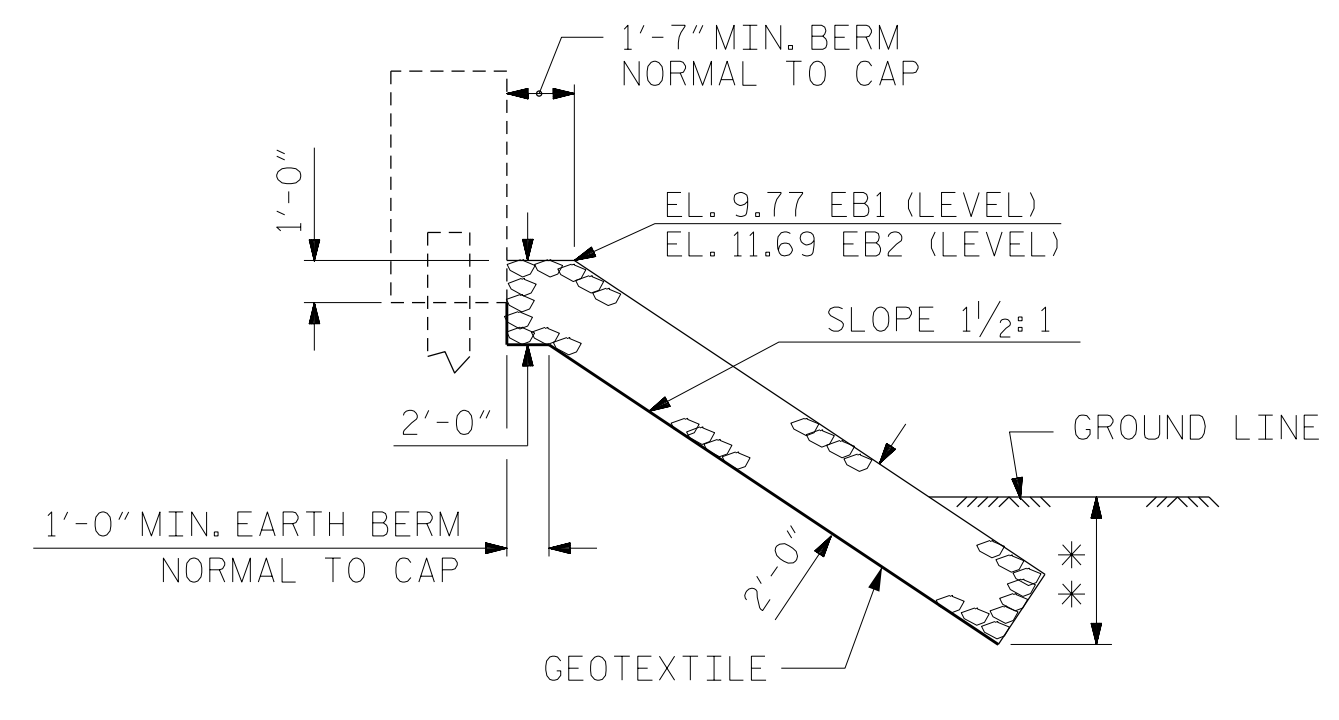
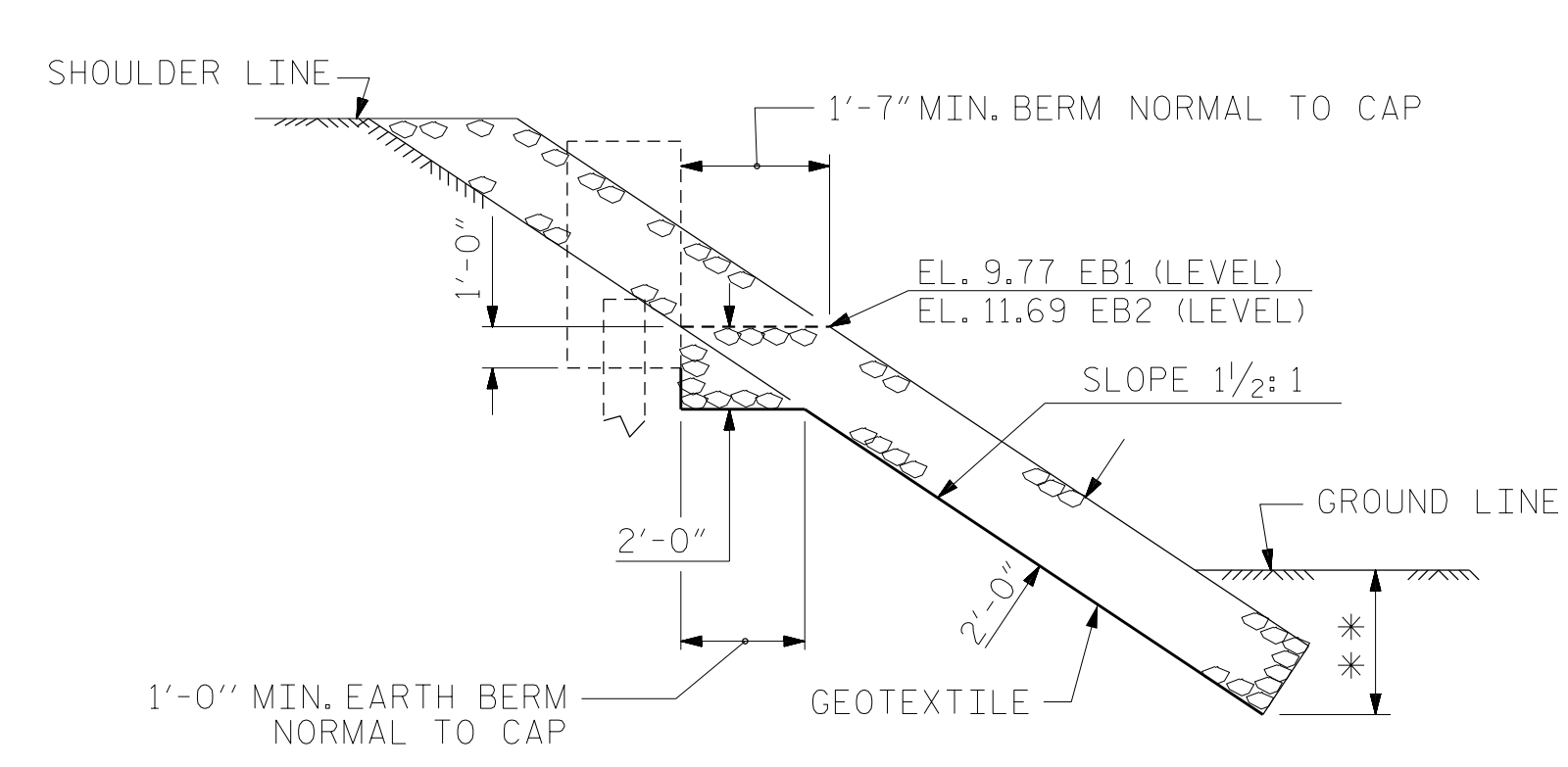


NOTES
FOR BERM WIDTH DIMENSIONS, SEE GENERAL DRAWING.

ESTIMATED QUANTITIES		
BRIDGE @ STA. 41+45.00 -L1-	RIP RAP CLASS II (2'-0" THICK)	GEOTEXTILE FOR DRAINAGE
	TONS	SQUARE YARDS
END BENT 1	170	185
END BENT 2	160	175



PROJECT NO. B-4484
CRAVEN COUNTY
STATION: 41+45.00 -L1-

REPLACES BRIDGE NO. 240139



RS&H Architects-Engineers-Planners, Inc.
8521 Six Forks Road, Suite 400
919-926-4100 FAX 919-846-9080
www.rsandh.com
North Carolina License No. 50737-F-0403-C-02

STATE OF NORTH CAROLINA
DEPARTMENT OF TRANSPORTATION
RALEIGH

RIP RAP DETAILS

REVISIONS						SHEET NO.
NO.	BY:	DATE:	NO.	BY:	DATE:	TOTAL SHEETS
1			3			31
2			4			

DRAWN BY : NSC DATE : 04/2019
CHECKED BY : JMR DATE : 06/2019
DESIGN ENGINEER OF RECORD: PDS DATE : 06/2019

DOCUMENT NOT CONSIDERED
FINAL UNLESS ALL
SIGNATURES COMPLETED