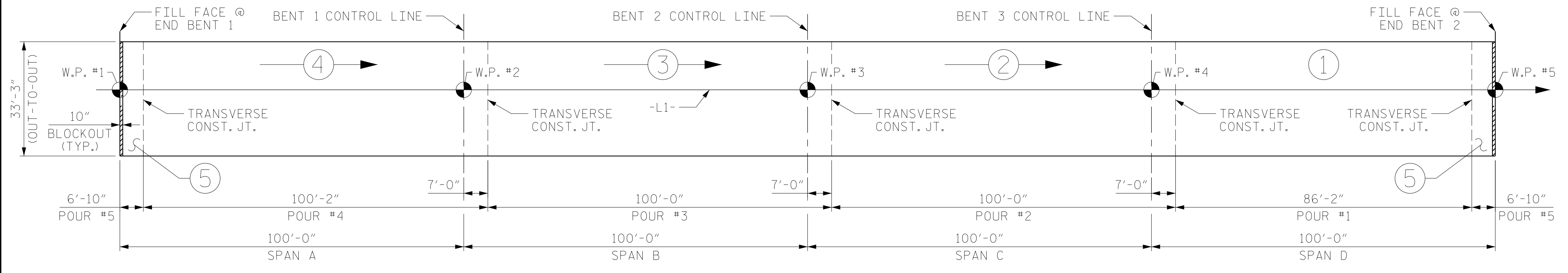
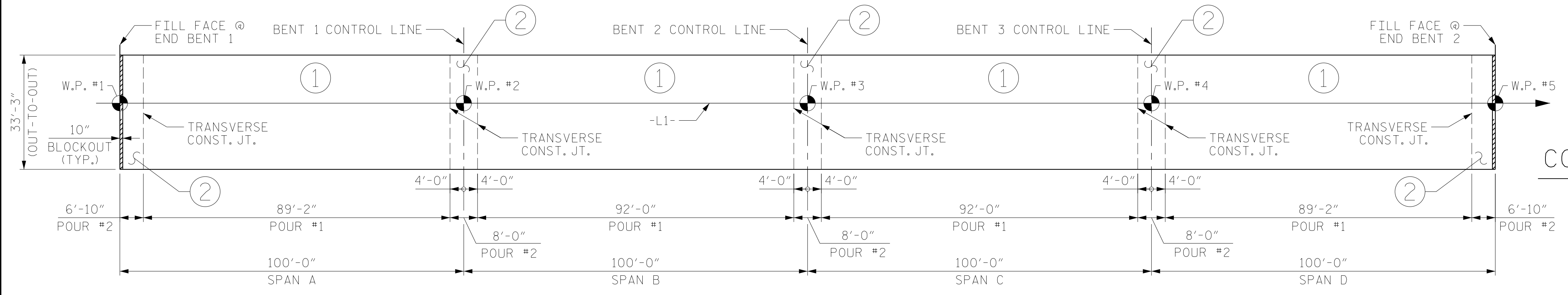


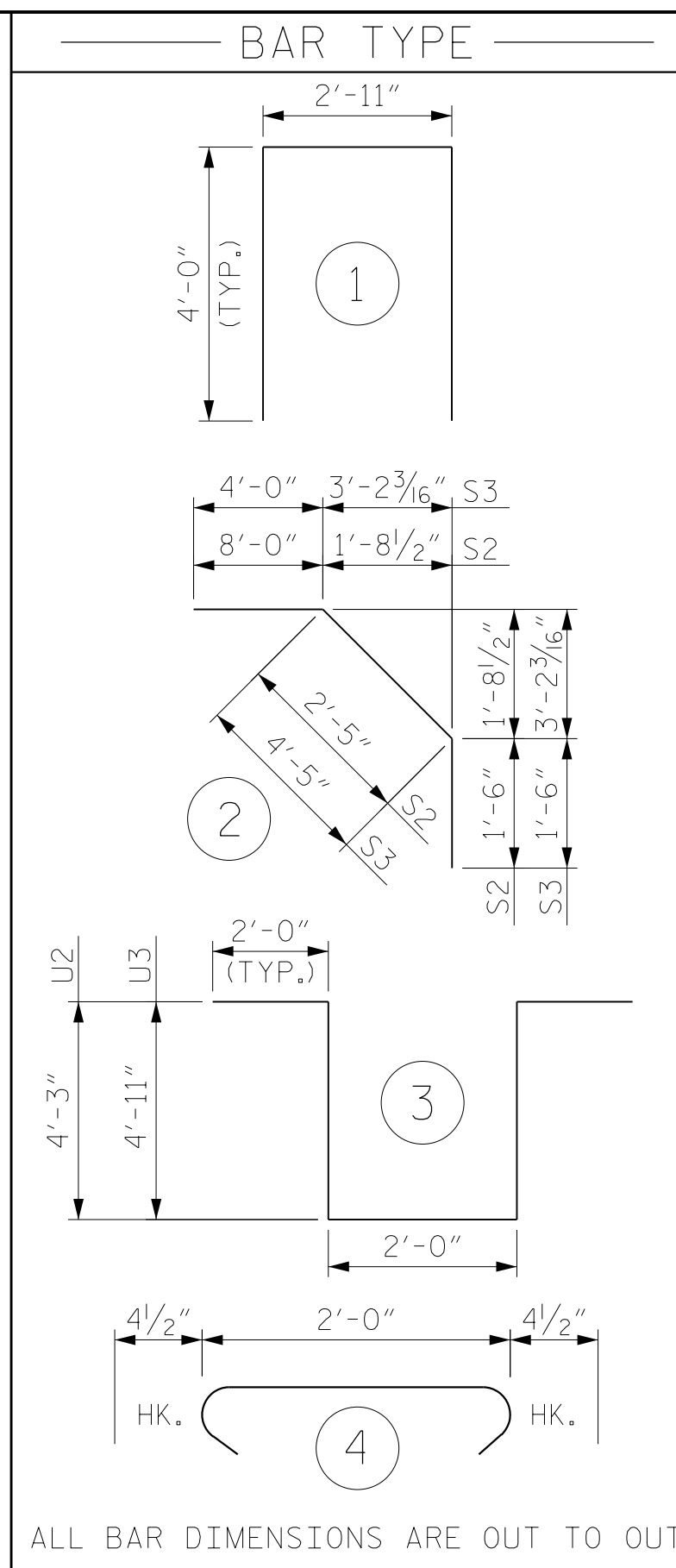
LAYOUT FOR COMPUTING AREA OF REINFORCED CONCRETE DECK SLAB  
( SQ. FT. = 13,245 )



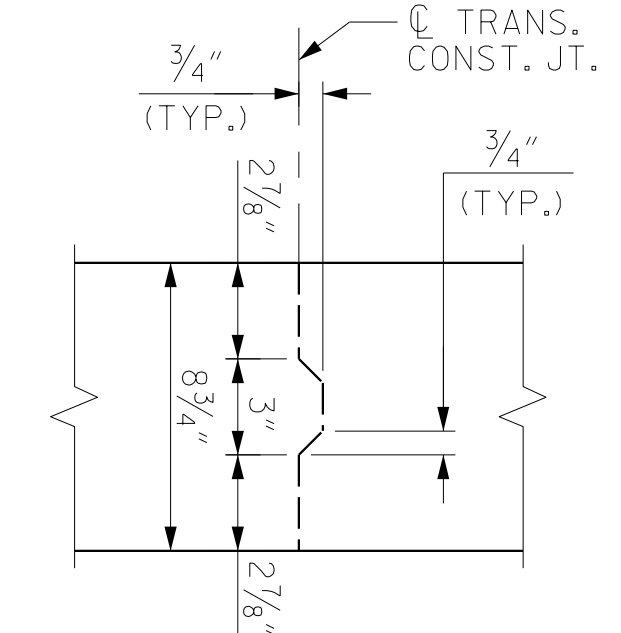
POURING SEQUENCE



OPTIONAL POURING SEQUENCE  
POUR ② CAN NOT BE STARTED UNTIL BOTH ADJACENT POURS REACH A MINIMUM OF 3,000 PSI



ALL BAR DIMENSIONS ARE OUT TO OUT.



TRANSVERSE CONSTRUCTION JOINT DETAIL

REINFORCING STEEL IN SLAB NOT SHOWN. LONGITUDINAL REINFORCEMENT SHALL BE CONTINUOUS THROUGH JOINT.

BILL OF MATERIAL

BAR	NO.	SIZE	TYPE	LENGTH	WEIGHT
* A1	399	#4	STR	32'-11"	8773
A2	399	#5	STR	32'-11"	13699
* A3	1594	#5	STR	13'-3"	22029
* B1	130	#6	STR	19'-0"	3710
* B2	132	#4	STR	25'-5"	2241
* B3	99	#6	STR	60'-0"	8922
* B4	99	#6	STR	12'-10"	1908
* B5	96	#6	STR	30'-0"	4326
* B6	66	#4	STR	33'-10"	1492
B7	72	#5	STR	19'-0"	1427
B8	144	#4	STR	24'-11"	2397
B9	108	#5	STR	60'-0"	6759
B10	108	#5	STR	12'-0"	1352
B11	72	#4	STR	33'-2"	1595
B12	88	#4	STR	37'-8"	2214
* B13	22	#4	STR	38'-0"	558
K1	10	#5	STR	32'-11"	343
K2	6	#5	STR	7'-0"	44
K3	12	#5	STR	8'-0"	100
K4	6	#5	STR	7'-5"	46
K5	6	#5	STR	6'-6"	41
K6	4	#5	STR	1'-11"	8
K7	8	#5	STR	2'-5"	20
K8	4	#5	STR	2'-2"	9
K9	4	#5	STR	1'-8"	7
K10	18	#4	STR	7'-0"	84
K11	36	#4	STR	7'-11"	190
K12	18	#4	STR	7'-7"	91
K13	18	#4	STR	5'-5"	65
K14	15	#4	STR	26'-8"	267
S1	234	#4	4	2'-9"	430
* S2	50	#4	2	11'-11"	398
* S3	50	#4	2	9'-11"	331
U1	50	#4	1	10'-11"	365
U2	18	#4	3	14'-6"	174
U3	45	#4	3	15'-10"	476

REINFORCING STEEL 32,203 LBS.  
\*EPOXY COATED REINFORCING STEEL 54,688 LBS.

\* QUANTITIES FOR CONCRETE PARAPET ARE NOT INCLUDED

GROOVING BRIDGE FLOORS	
BRIDGE DECK	11,154 SQ. FT.
APPROACH SLABS	634 SQ. FT.
TOTAL	11,788 SQ. FT.

CLASS AA CONCRETE	
POUR NO.	CU. YDS.
1	90.5 CY
2	114.9 CY
3	114.9 CY
4	115.1 CY
5	46.8 CY
TOTAL	482.2 CY

SUPERSTRUCTURE REINFORCING STEEL LENGTHS ARE BASED ON THE FOLLOWING MINIMUM SPLICE LENGTHS

BAR SIZE	SUPERSTRUCTURE EXCEPT APPROACH SLABS, PARAPETS, AND BARRIER RAILS		APPROACH SLABS		PARAPETS AND BARRIER RAILS
	EPOXY COATED	UNCOATED	EPOXY COATED	UNCOATED	
#4	1'-11"	1'-7"	1'-11"	1'-7"	2'-6"
#5	2'-5"	2'-0"	2'-5"	2'-0"	3'-1"
#6	2'-10"	2'-5"	3'-7"	2'-5"	3'-8"
#7	4'-2"	2'-9"			
#8	4'-9"	3'-2"			

DRAWN BY : MRA DATE : 04/2019  
CHECKED BY : JMR DATE : 05/2019  
DESIGN ENGINEER OF RECORD: PDS DATE : 06/2019

DOCUMENT NOT CONSIDERED FINAL UNLESS ALL SIGNATURES COMPLETED



PROJECT NO. B-4484  
CRAVEN COUNTY  
STATION: 41+45.00 -L1-

REPLACES BRIDGE NO. 240139

STATE OF NORTH CAROLINA DEPARTMENT OF TRANSPORTATION RALEIGH SUPERSTRUCTURE					
BILL OF MATERIAL					
REVISIONS					
NO.	BY:	DATE:	NO.	BY:	DATE:
1			3		
2			4		

SHEET NO. S2-19  
TOTAL SHEETS 31