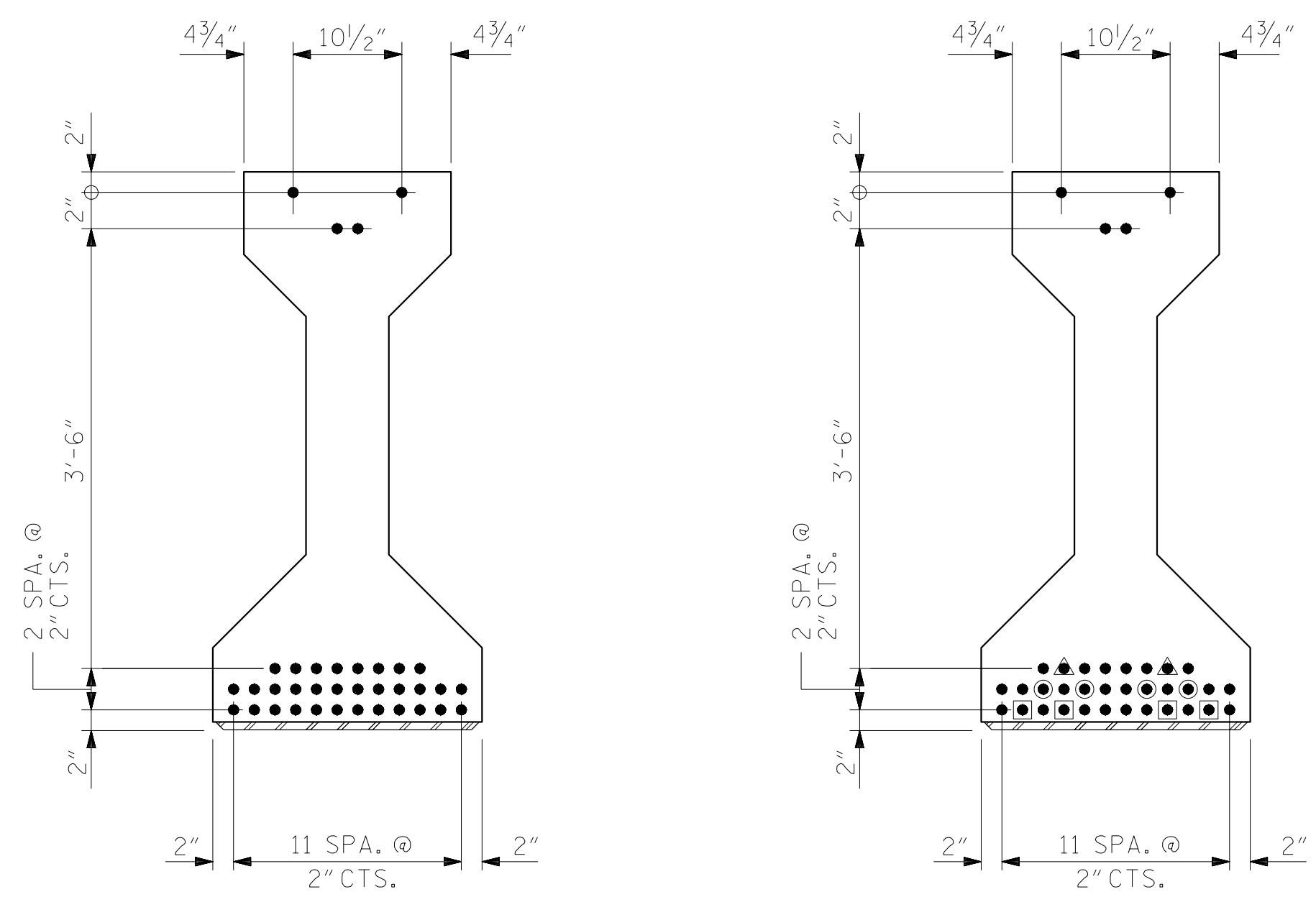


* FOR S7 BARS, SEE
DETAIL "A" OF
PRESTRESSED
CONCRETE GIRDER
CONTINUOUS FOR LIVE
LOAD DETAILS SHEET

SECTION A-A



@ CL OF GIRDER

@ END OF GIRDER

0.6" Ø LOW RELAXATION STRAND LAYOUT

DEBONDING LEGEND

- FULLY BONDED STRANDS
- STRANDS DEBONDED FOR 6'-0" FROM END OF GIRDER
- STRANDS DEBONDED FOR 8'-0" FROM END OF GIRDER
- STRANDS DEBONDED FOR 10'-0" FROM END OF GIRDER

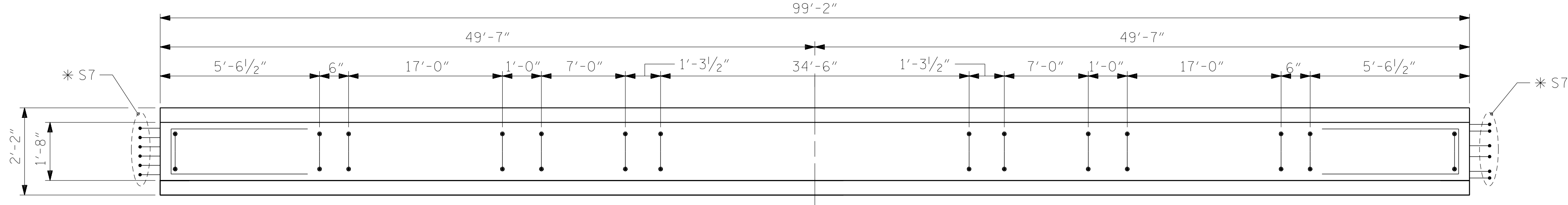
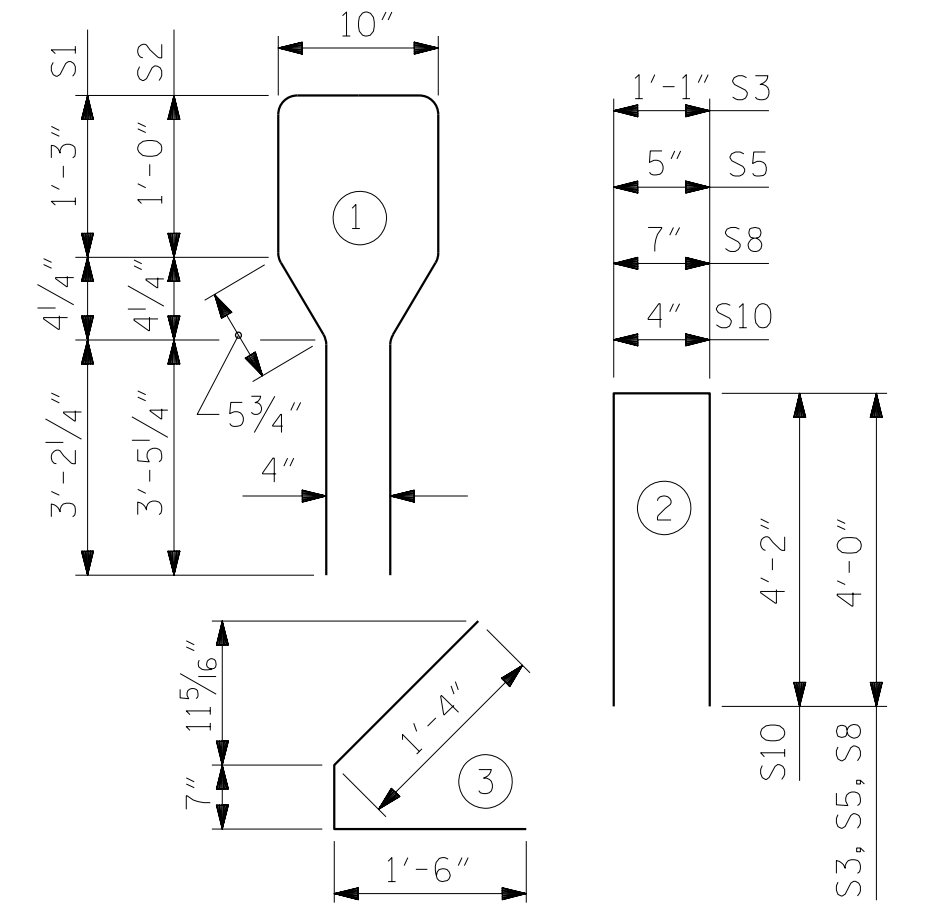
0.6" Ø L. R. GRADE 270 STRANDS		
AREA (SQUARE INCHES)	ULTIMATE STRENGTH (LBS. PER STRAND)	APPLIED PRESTRESS (LBS. PER STRAND)
0.217	58,600	43,950

REINFORCING STEEL FOR ONE GIRDER					
BAR	NUMBER	SIZE	TYPE	LENGTH	WEIGHT
S1	110	#4	1	10'-8"	784
S2	34	#6	1	10'-8"	545
S3	4	#4	2	9'-1"	24
S4	80	#4	3	3'-5"	183
S5	6	#4	2	8'-5"	34
* S7	12	#5	STR	3'-8"	46
S8	4	#4	2	8'-7"	23
S9	2	#3	STR	1'-10"	1
** S10	2	#5	2	8'-8"	18
** S11	5	#4	STR	7'-0"	23

* NOTE: S7 BARS SHALL BE BENT BEFORE SHIPMENT. HEAT BENDING SHALL NOT BE ALLOWED.
** FOR PLACEMENT OF S10 AND S11 BARS, SEE "PRESTRESSED CONCRETE GIRDER CONTINUOUS FOR LIVE LOAD DETAILS" SHEET.

BAR TYPES

ALL BAR DIMENSIONS ARE OUT-TO-OUT



PLAN OF GIRDER

QUANTITIES FOR ONE GIRDER

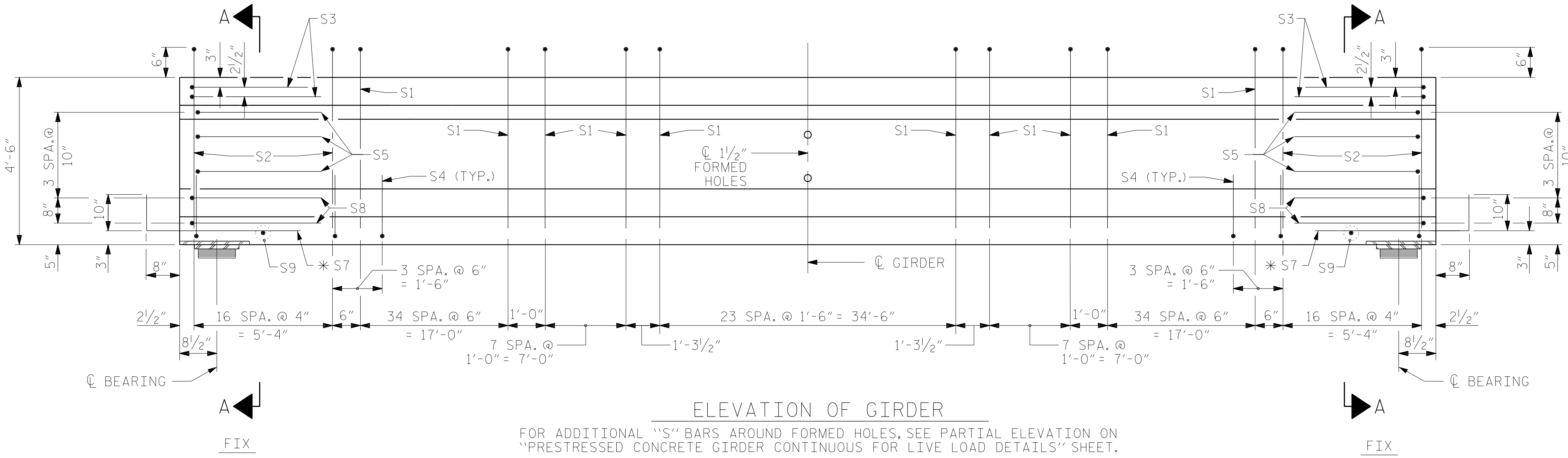
REINFORCING STEEL	8,000 PSI CONCRETE	0.6" Ø L. R. STRANDS
LB.	C.Y.	No.
1,681	20.1	36

GIRDERS REQUIRED

NUMBER	LENGTH	TOTAL LENGTH
8	99'-2"	793'-4"

PROJECT NO. B-4484
CRAVEN COUNTY
 STATION: 41+45.00 -L1-

SHEET 2 OF 3 REPLACES BRIDGE NO. 240139



ELEVATION OF GIRDER

FOR ADDITIONAL "S" BARS AROUND FORMED HOLES, SEE PARTIAL ELEVATION ON "PRESTRESSED CONCRETE GIRDER CONTINUOUS FOR LIVE LOAD DETAILS" SHEET.

DRAWN BY : NSC DATE : 04/2019
 CHECKED BY : JMR DATE : 06/2019
 DESIGN ENGINEER OF RECORD: PDS DATE : 06/2019

DOCUMENT NOT CONSIDERED
 FINAL UNLESS ALL
 SIGNATURES COMPLETED

STATE OF NORTH CAROLINA
 DEPARTMENT OF TRANSPORTATION
 RALEIGH
 SUPERSTRUCTURE
 AASHTO TYPE IV
 PRESTRESSED CONCRETE GIRDER
 CONTINUOUS FOR LIVE LOAD
 SPANS B & C

REVISIONS						SHEET NO.
NO.	BY:	DATE:	NO.	BY:	DATE:	S2-11
1			3			TOTAL SHEETS
2			4			31