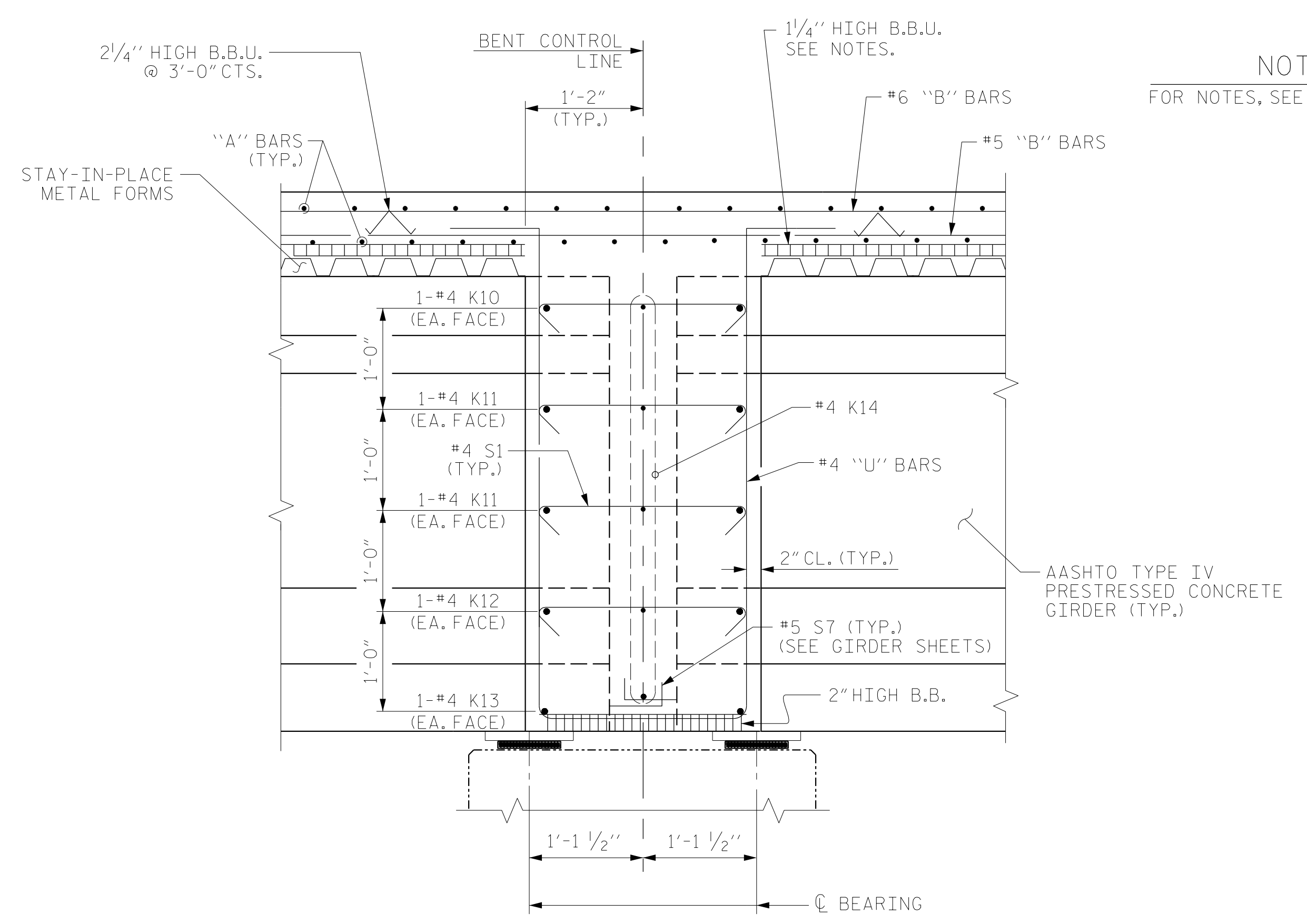
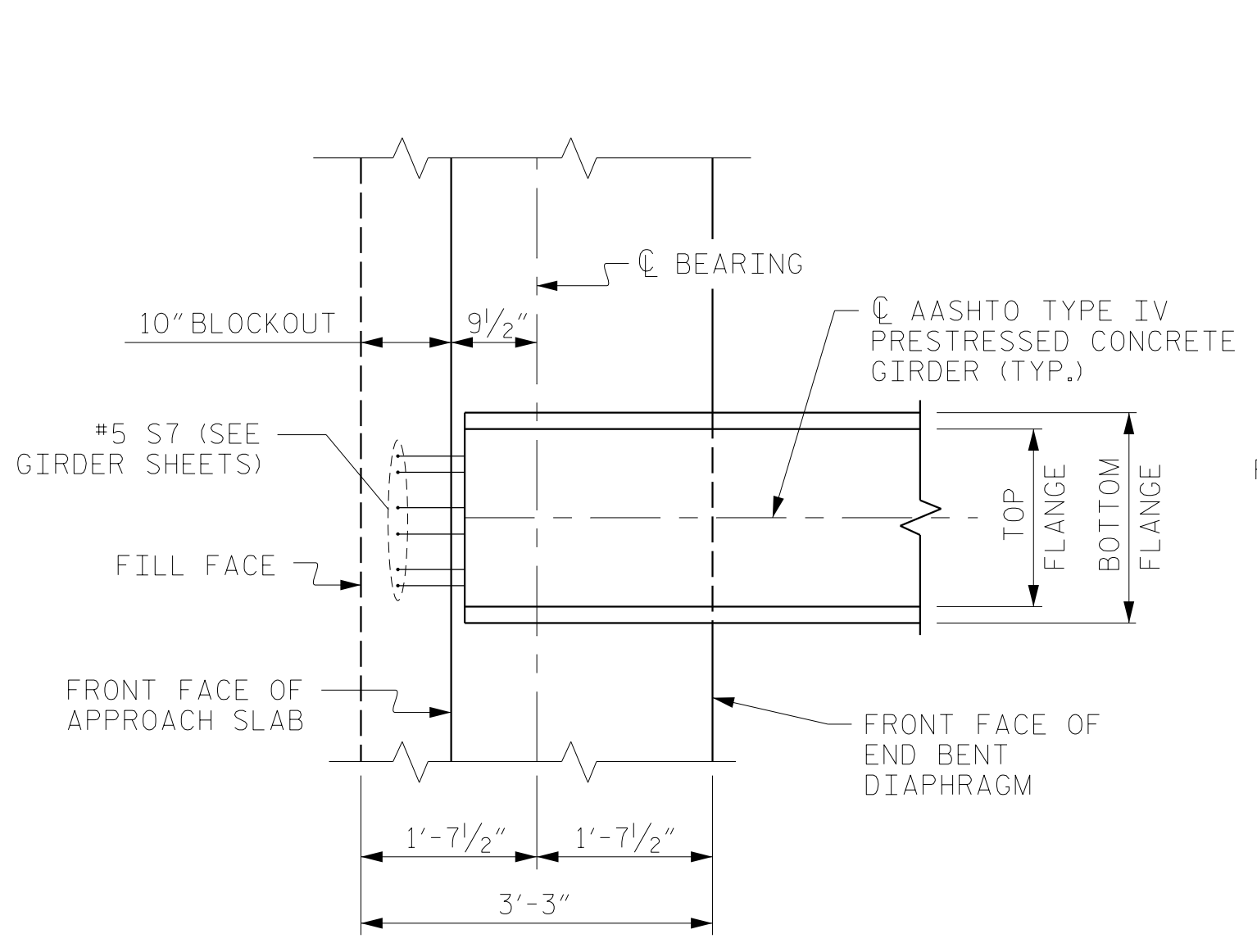


SECTION THROUGH INTEGRAL END BENT

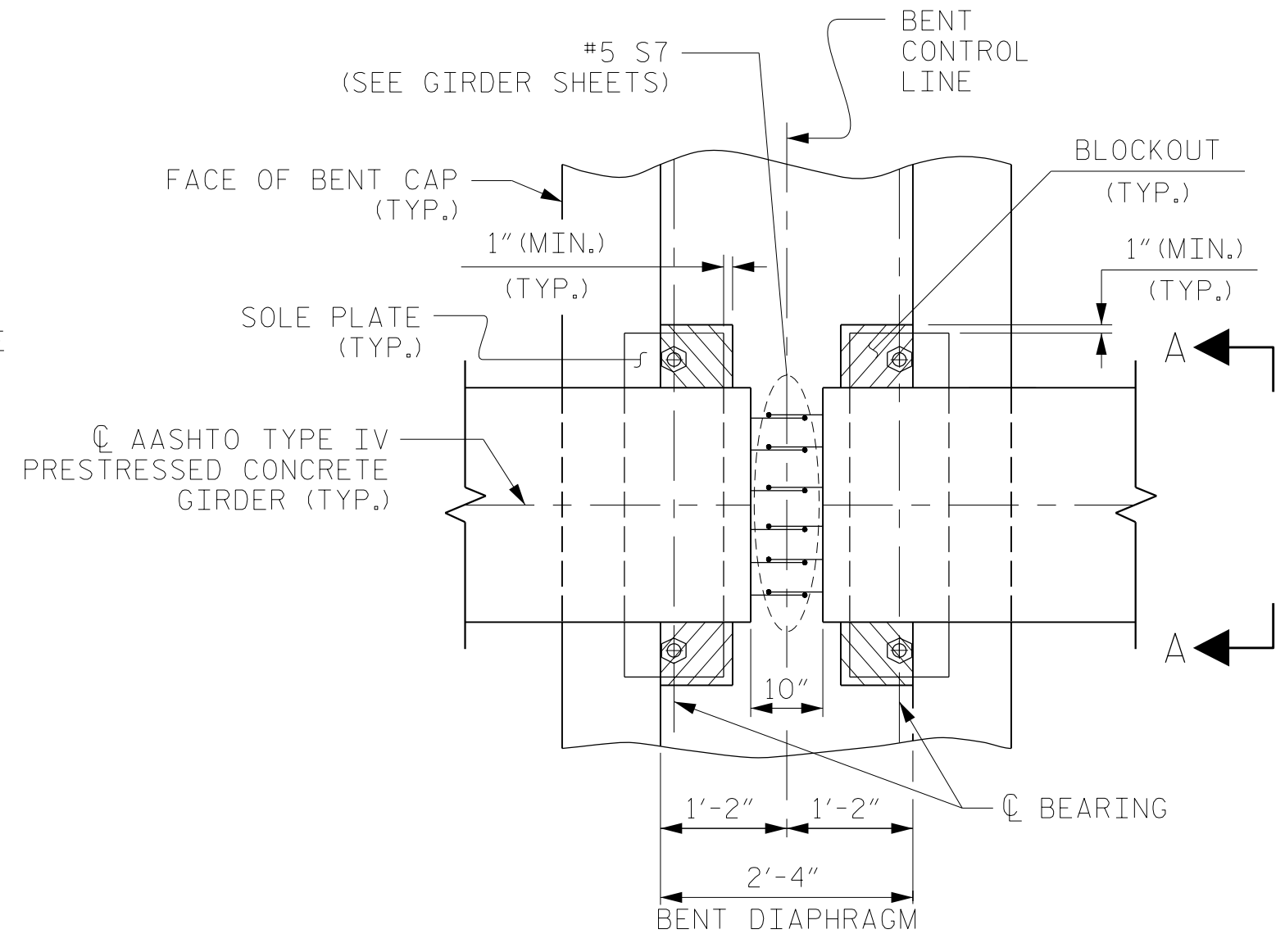


SECTION THROUGH CONTINUOUS BENT DIAPHRAGM

NOTES
FOR NOTES, SEE SHEET 1 OF 2.

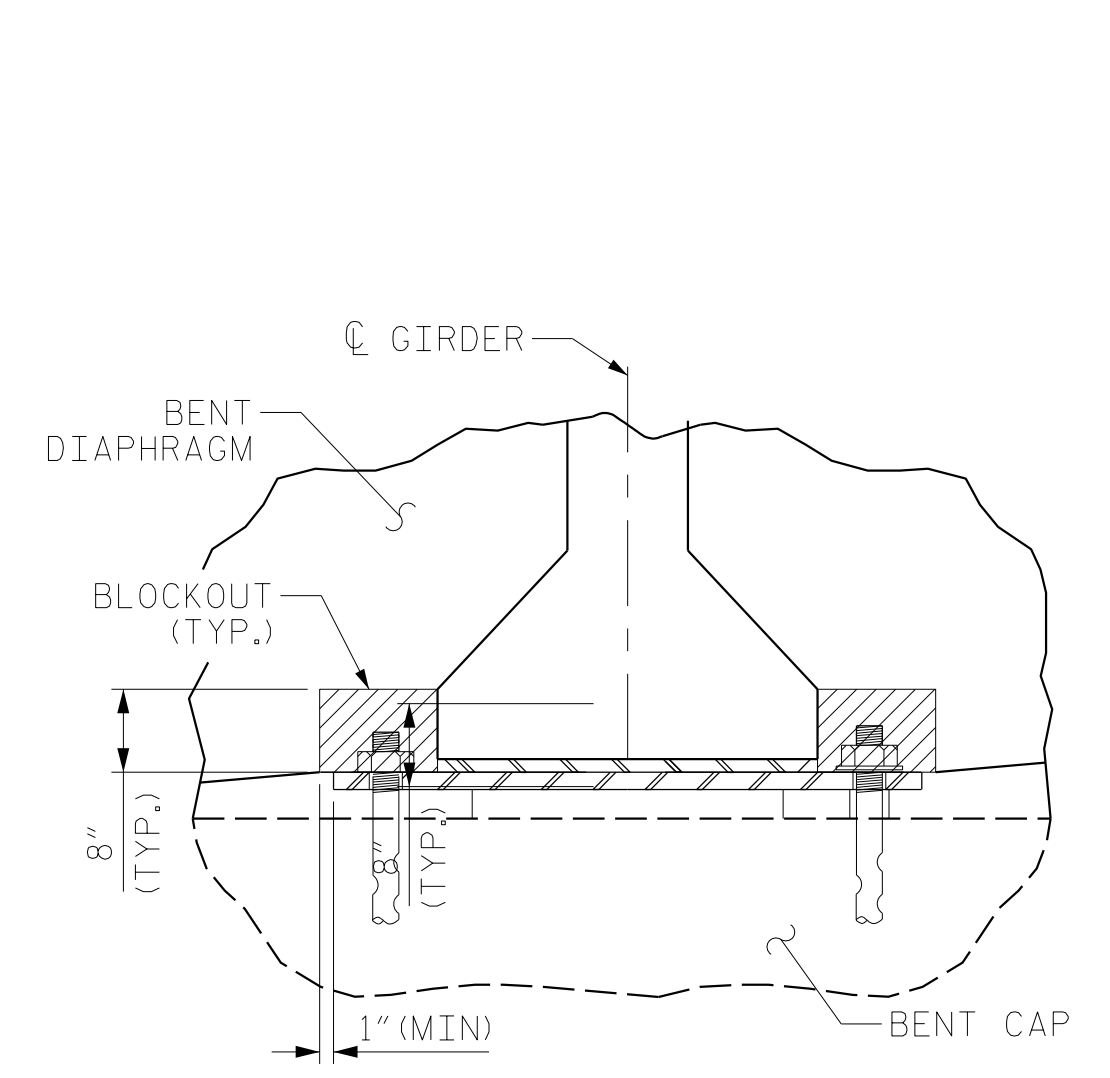


PLAN OF GIRDER AT INTEGRAL END BENT



PLAN VIEW

BENT DIAPHRAGM BLOCKOUT DETAIL



VIEW A-A

PROJECT NO. B-4484
CRAVEN COUNTY
STATION: 41+45.00 -L1-

SHEET 2 OF 2 REPLACES BRIDGE NO. 240139



STATE OF NORTH CAROLINA
DEPARTMENT OF TRANSPORTATION
RALEIGH
SUPERSTRUCTURE
TYPICAL SECTION
DETAILS

DRAWN BY :	NSC	DATE :	03/2019
CHECKED BY :	JMR	DATE :	05/2019
DESIGN ENGINEER OF RECORD:	PDS	DATE :	06/2019

DOCUMENT NOT CONSIDERED
FINAL UNLESS ALL
SIGNATURES COMPLETED

REVISIONS						SHEET NO.
NO.	BY:	DATE:	NO.	BY:	DATE:	S2-6
1			3			TOTAL SHEETS
2			4			31