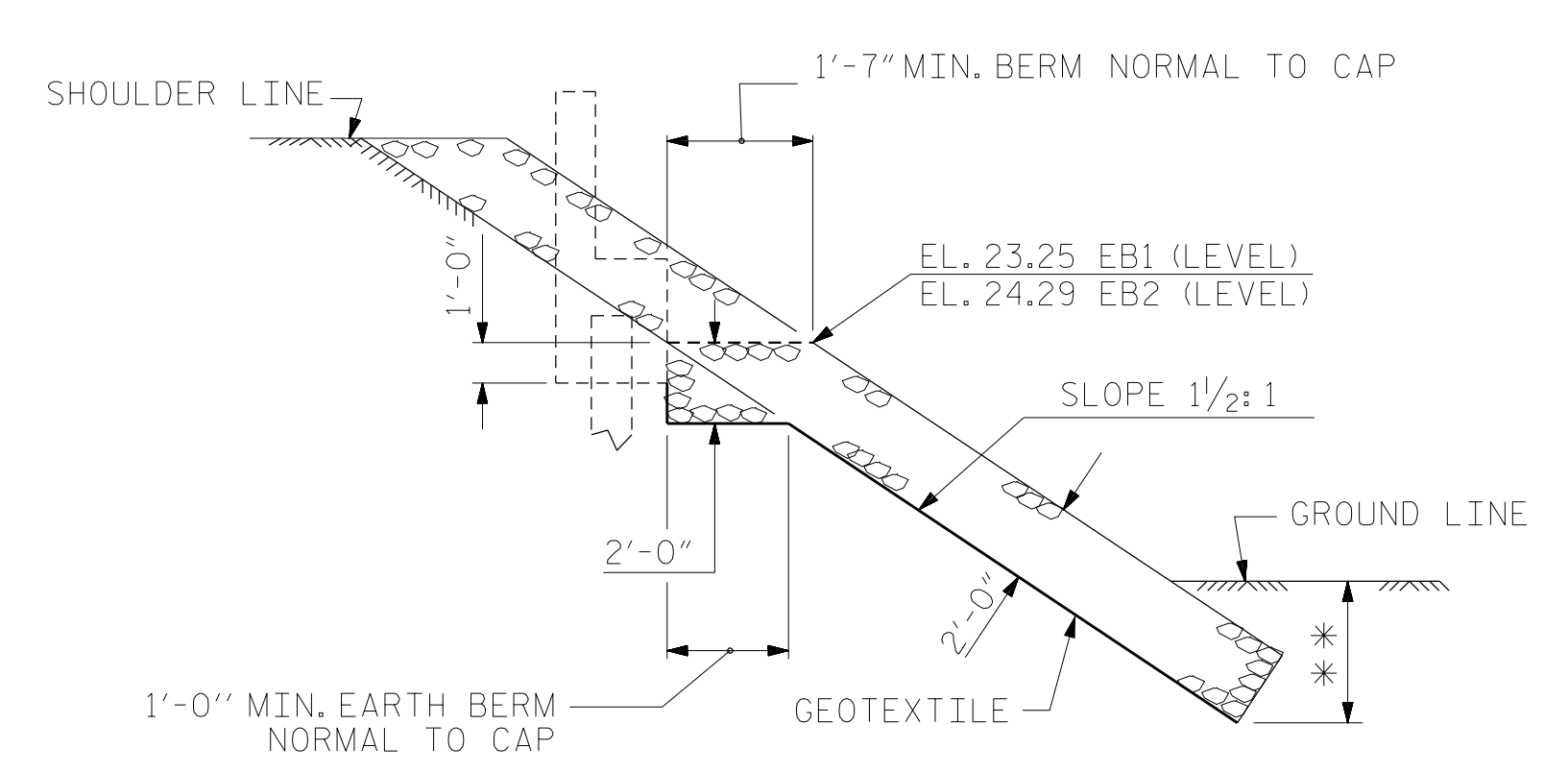


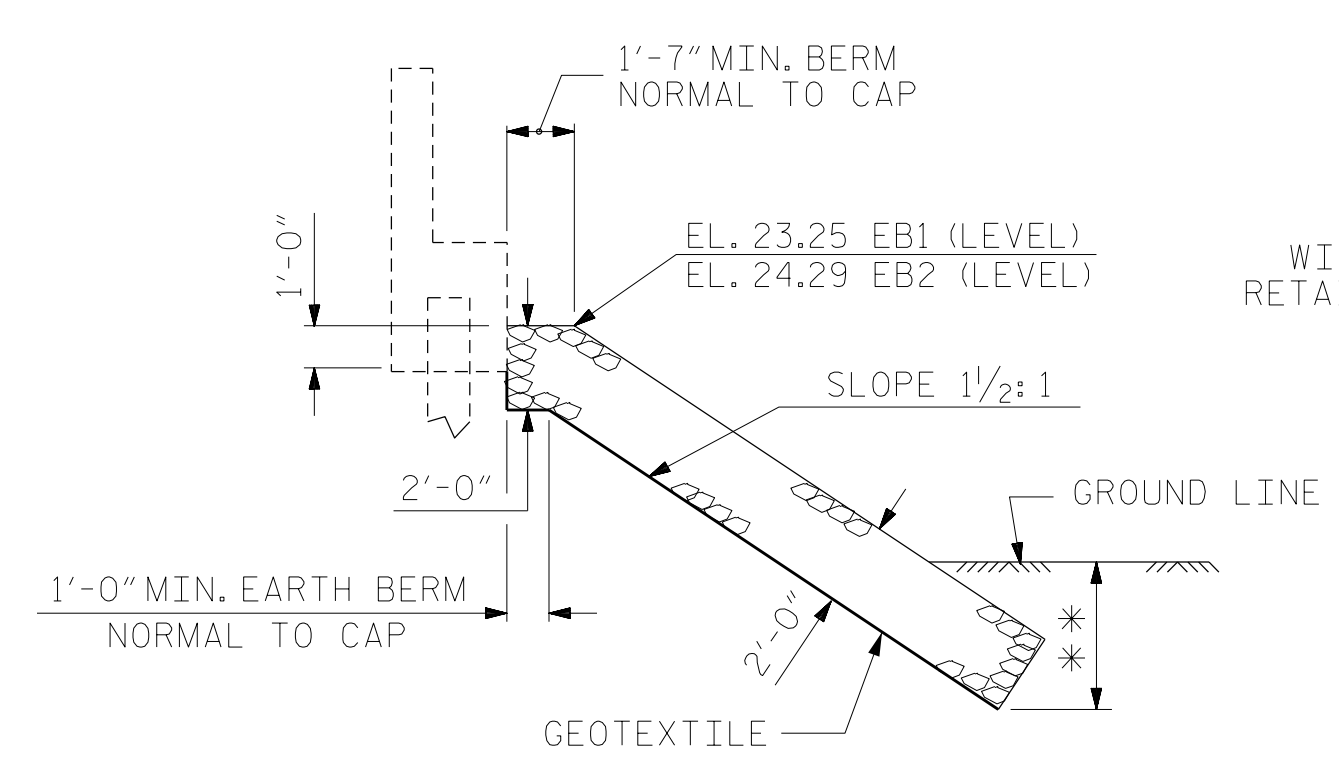
NOTES
FOR BERM WIDTH DIMENSIONS, SEE GENERAL DRAWING.

PLAN

ESTIMATED QUANTITIES		
BRIDGE @ STA. 25+06.00 -L1-	RIP RAP CLASS II (2'-0" THICK)	GEOTEXTILE FOR DRAINAGE
	TONS	SQUARE YARDS
END BENT 1	425	470
END BENT 2	555	615

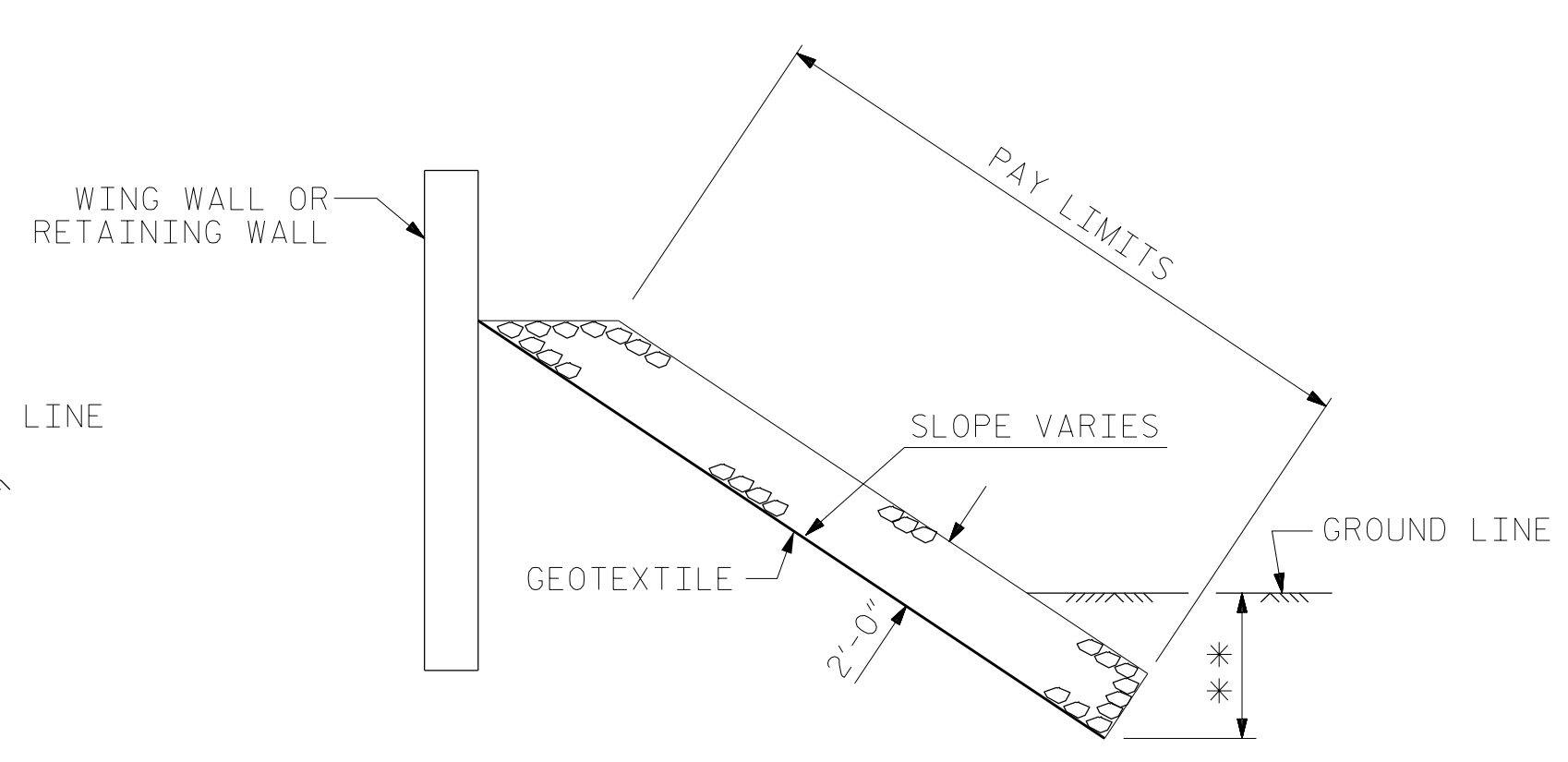


SECTION H-H



SECTION C-C
BERM RIP RAPPED

** KEY IN 3'-6" MIN. BELOW EL. 6.0 @ END BENT 1
KEY IN 3'-6" MIN. BELOW EL. 7.0 @ END BENT 2



SECTION C-C

PROJECT NO. B-4484
CRAVEN COUNTY
STATION: 25+06.00 -L1-

REPLACES BRIDGE NO. 240138



RS&H
RS&H Architects-Engineers-Planners, Inc.
8521 Six Forks Road, Suite 400
919-926-4100 FAX 919-846-9080
www.rsandh.com
North Carolina License No. 50737-50463-C-28

STATE OF NORTH CAROLINA
DEPARTMENT OF TRANSPORTATION
RALEIGH

RIP RAP DETAILS

DRAWN BY : TRM	DATE : 05/2019
CHECKED BY : PDS	DATE : 06/2019
DESIGN ENGINEER OF RECORD: MAL	DATE : 06/2019

DOCUMENT NOT CONSIDERED
FINAL UNLESS ALL
SIGNATURES COMPLETED

REVISIONS						SHEET NO.
NO.	BY:	DATE:	NO.	BY:	DATE:	S1-35
1			3			TOTAL SHEETS
2			4			37