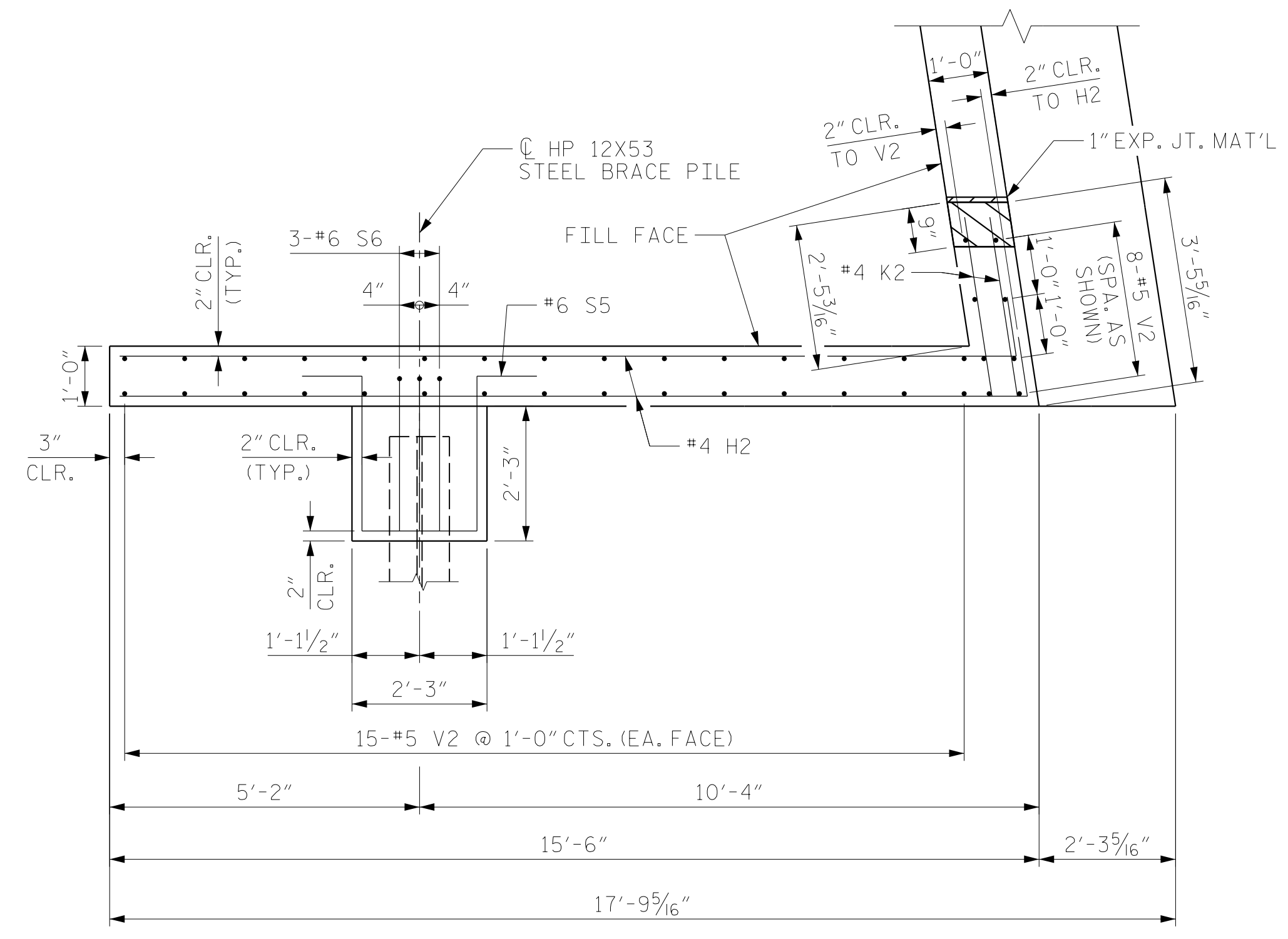
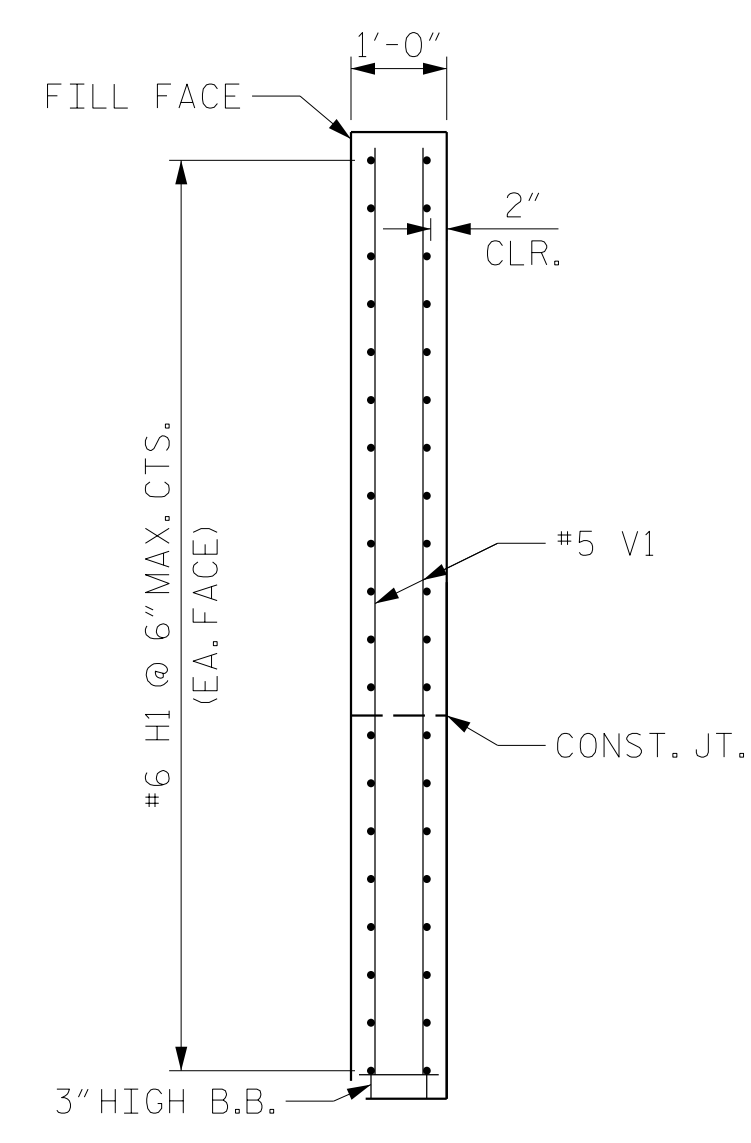


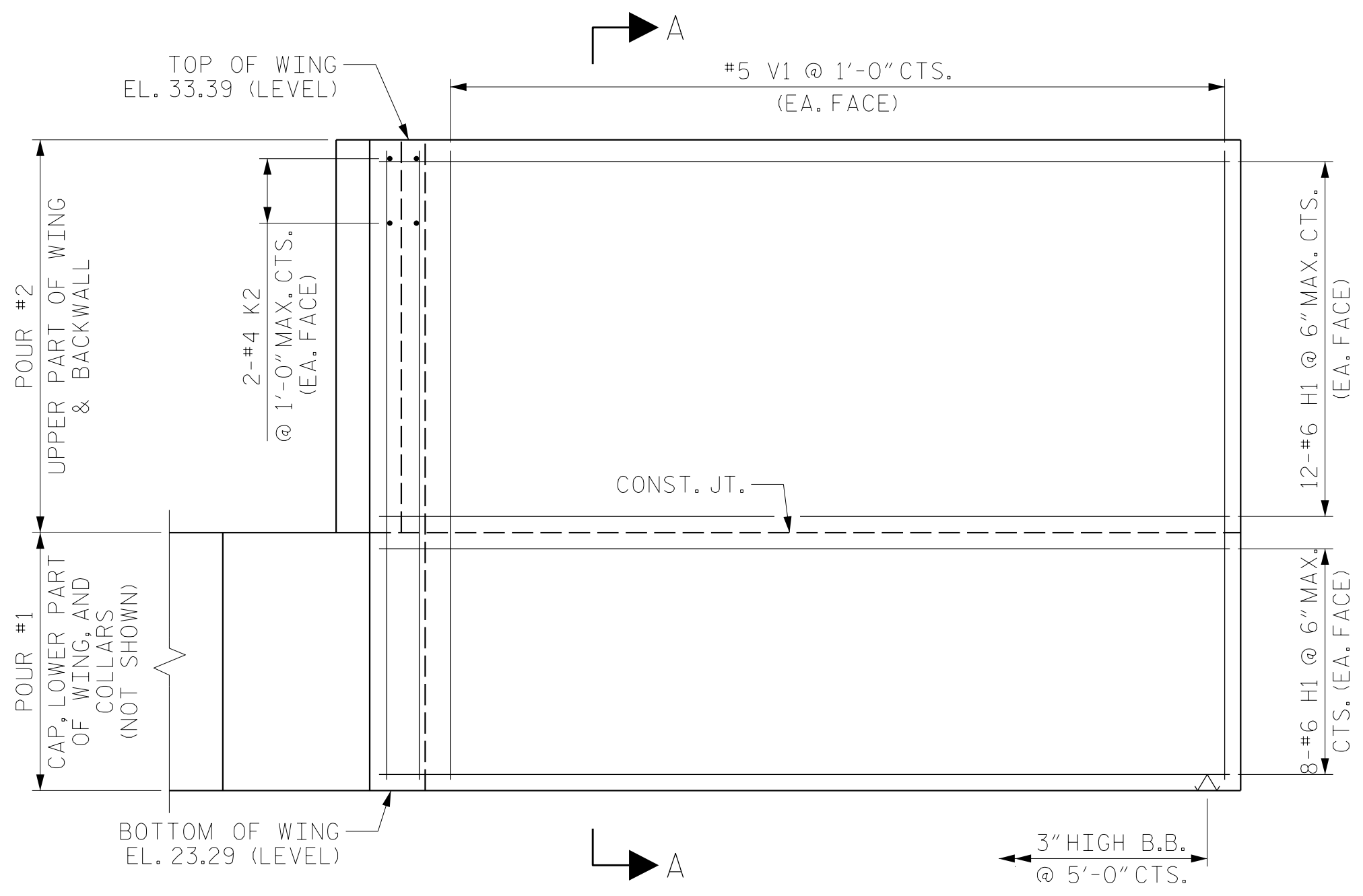
PLAN OF WING - W1



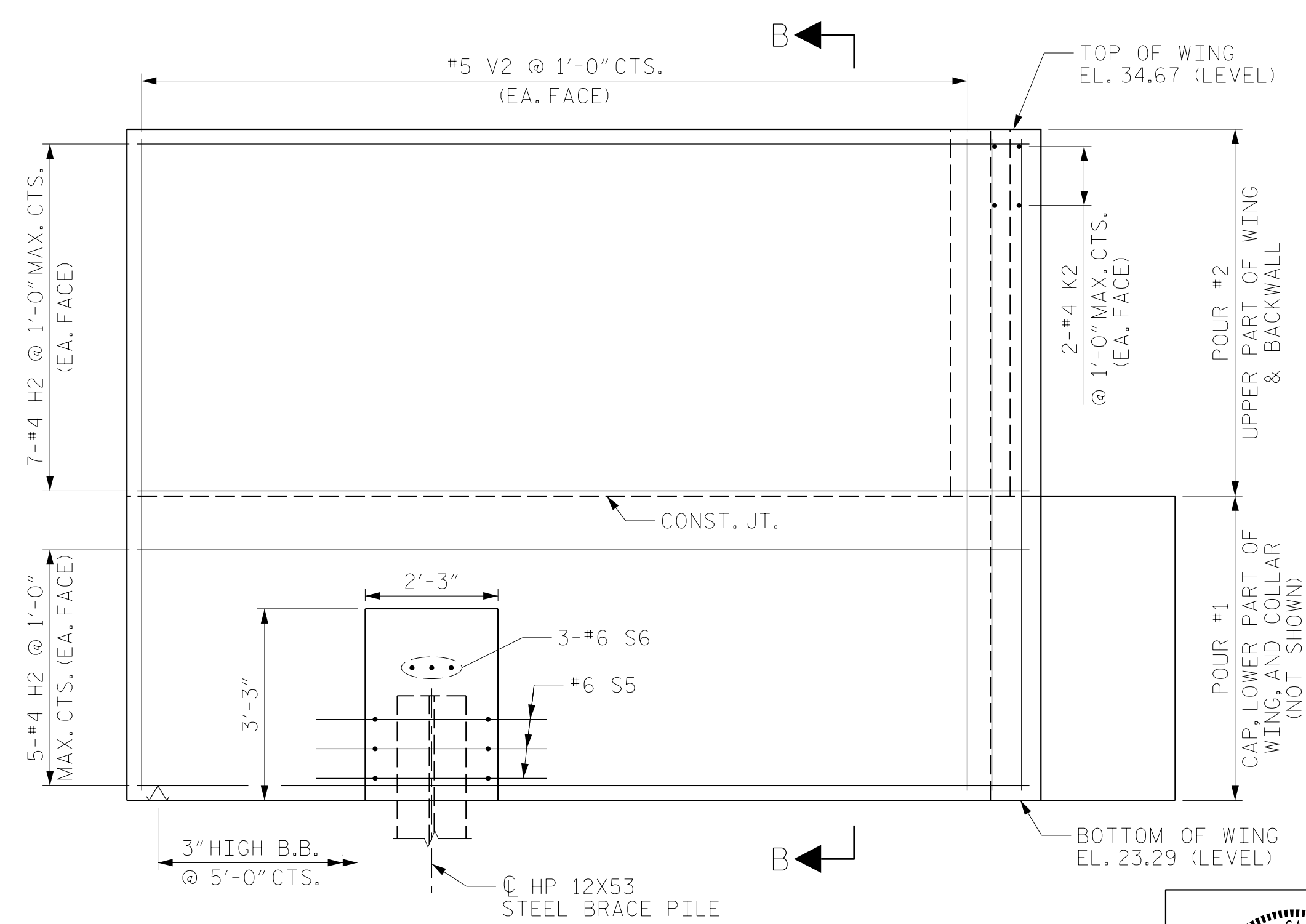
PLAN OF WING - W2



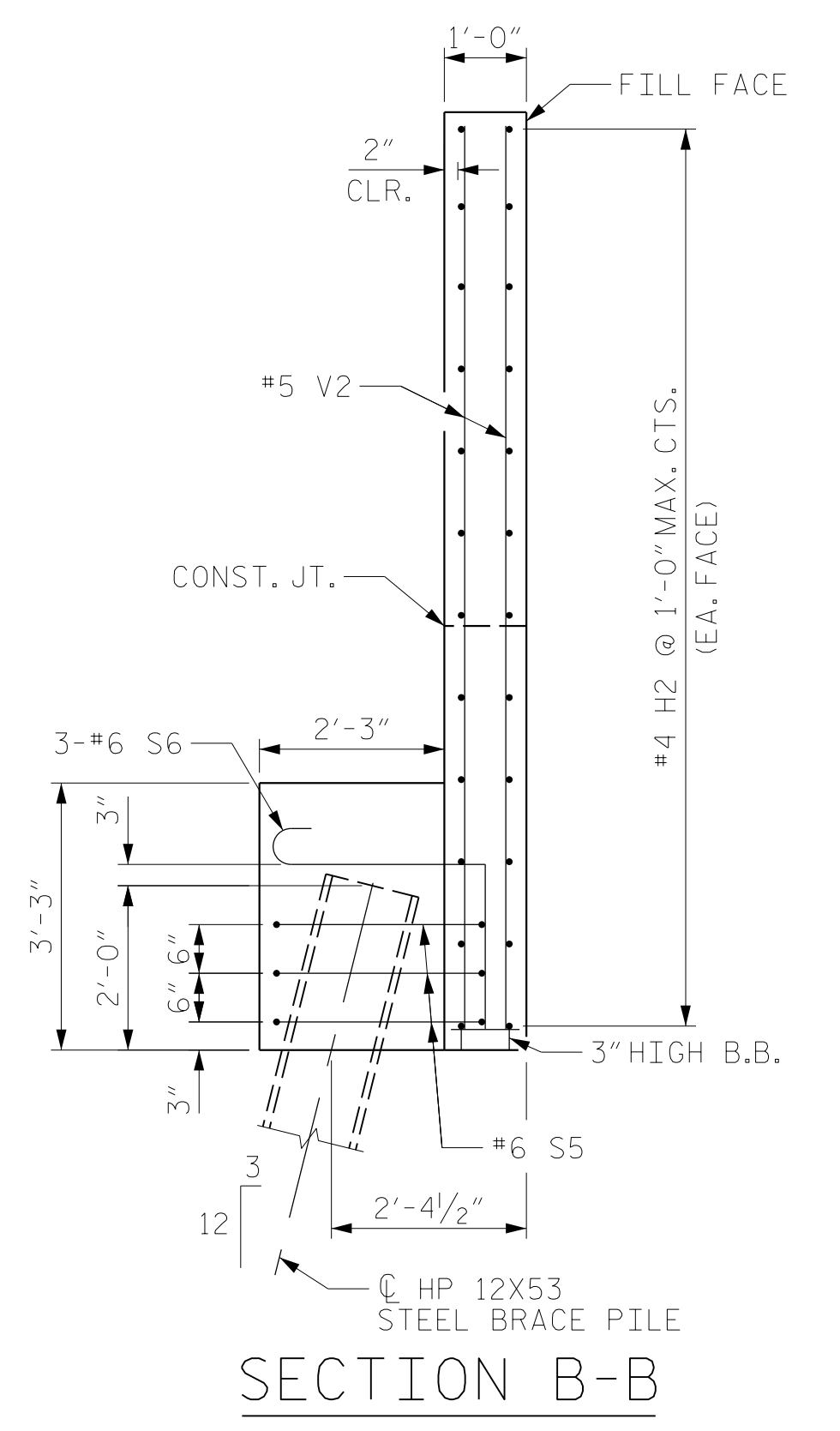
SECTION A-A



ELEVATION OF WING - W1



ELEVATION OF WING - W2



SECTION B-B

PROJECT NO. B-4484  
CRAVEN COUNTY  
 STATION: 25+06.00 -L1-

SHEET 2 OF 3 REPLACES BRIDGE NO. 240138



STATE OF NORTH CAROLINA  
 DEPARTMENT OF TRANSPORTATION  
 RALEIGH  
 SUBSTRUCTURE  
 END BENT 2  
 WING WALL DETAILS

DRAWN BY : NSC DATE : .05/2019  
 CHECKED BY : JMR DATE : .06/2019  
 DESIGN ENGINEER OF RECORD: MAL DATE : .06/2019

DOCUMENT NOT CONSIDERED  
 FINAL UNLESS ALL  
 SIGNATURES COMPLETED

REVISIONS						SHEET NO.
NO.	BY:	DATE:	NO.	BY:	DATE:	S1-33
1			3			TOTAL SHEETS
2			4			37