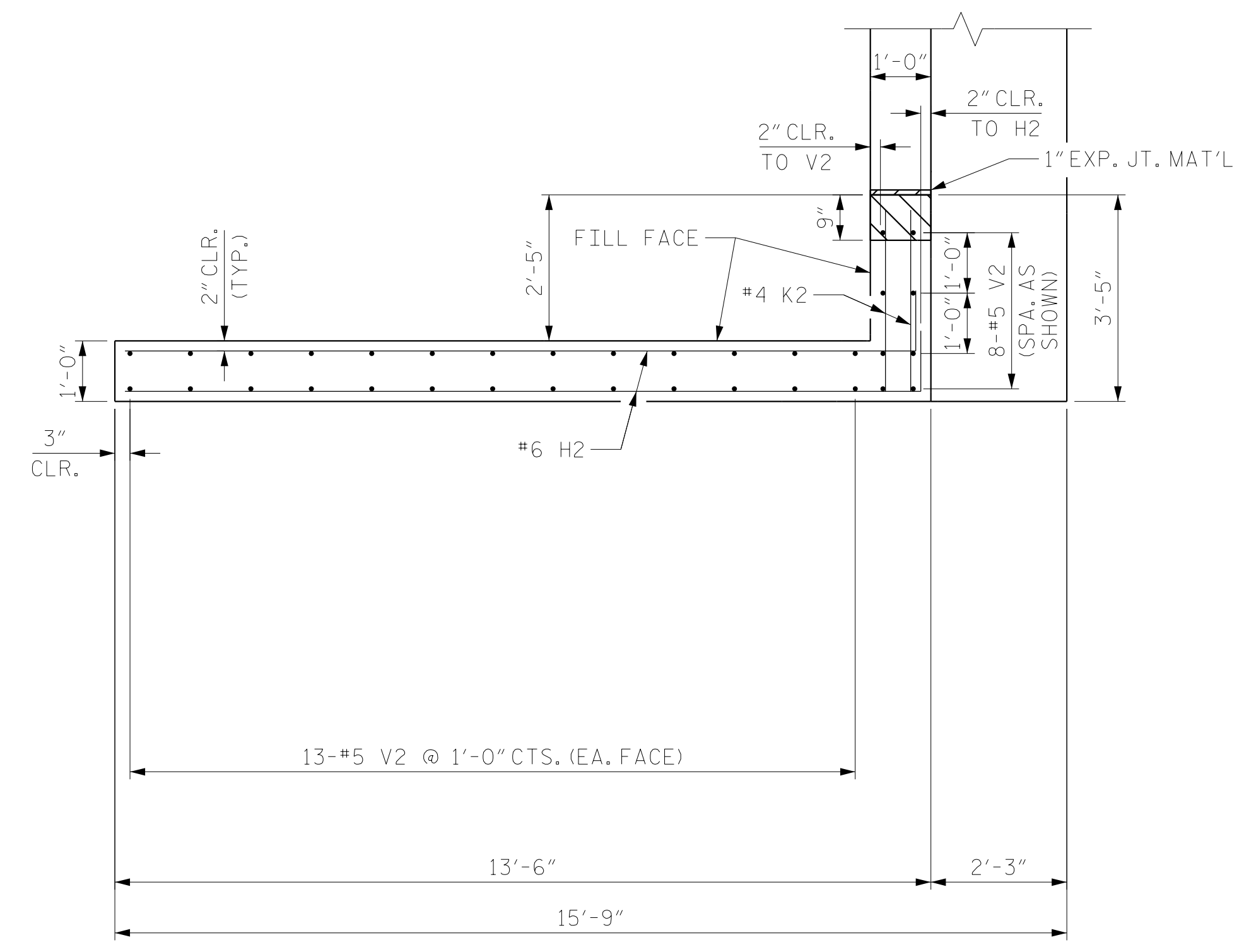
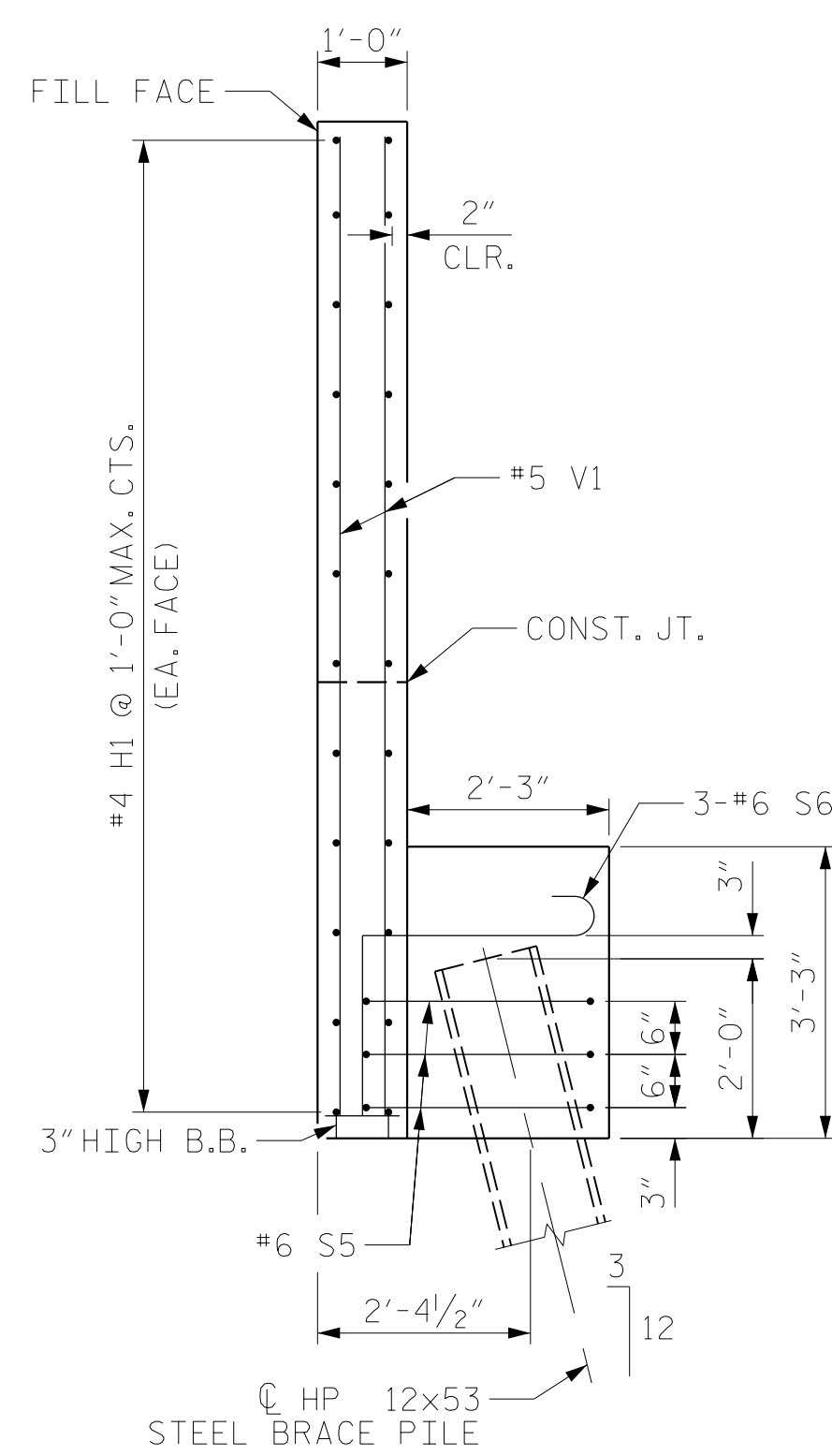


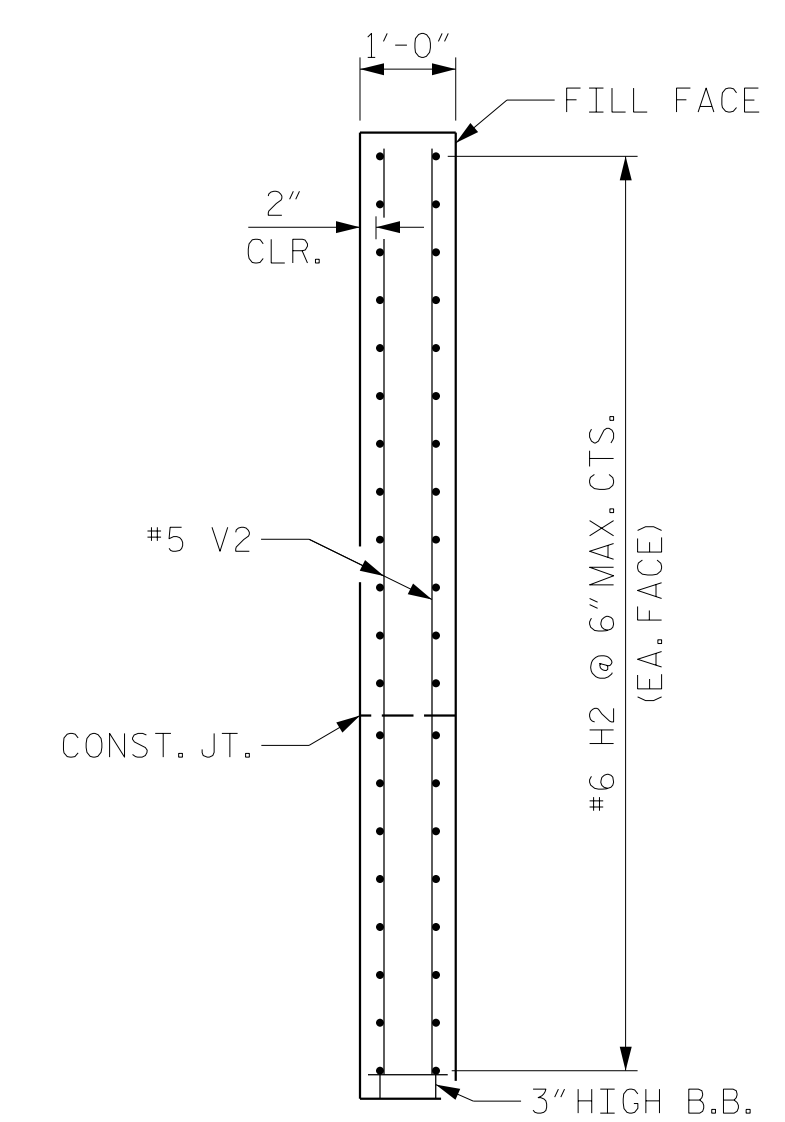
PLAN OF WING - W1



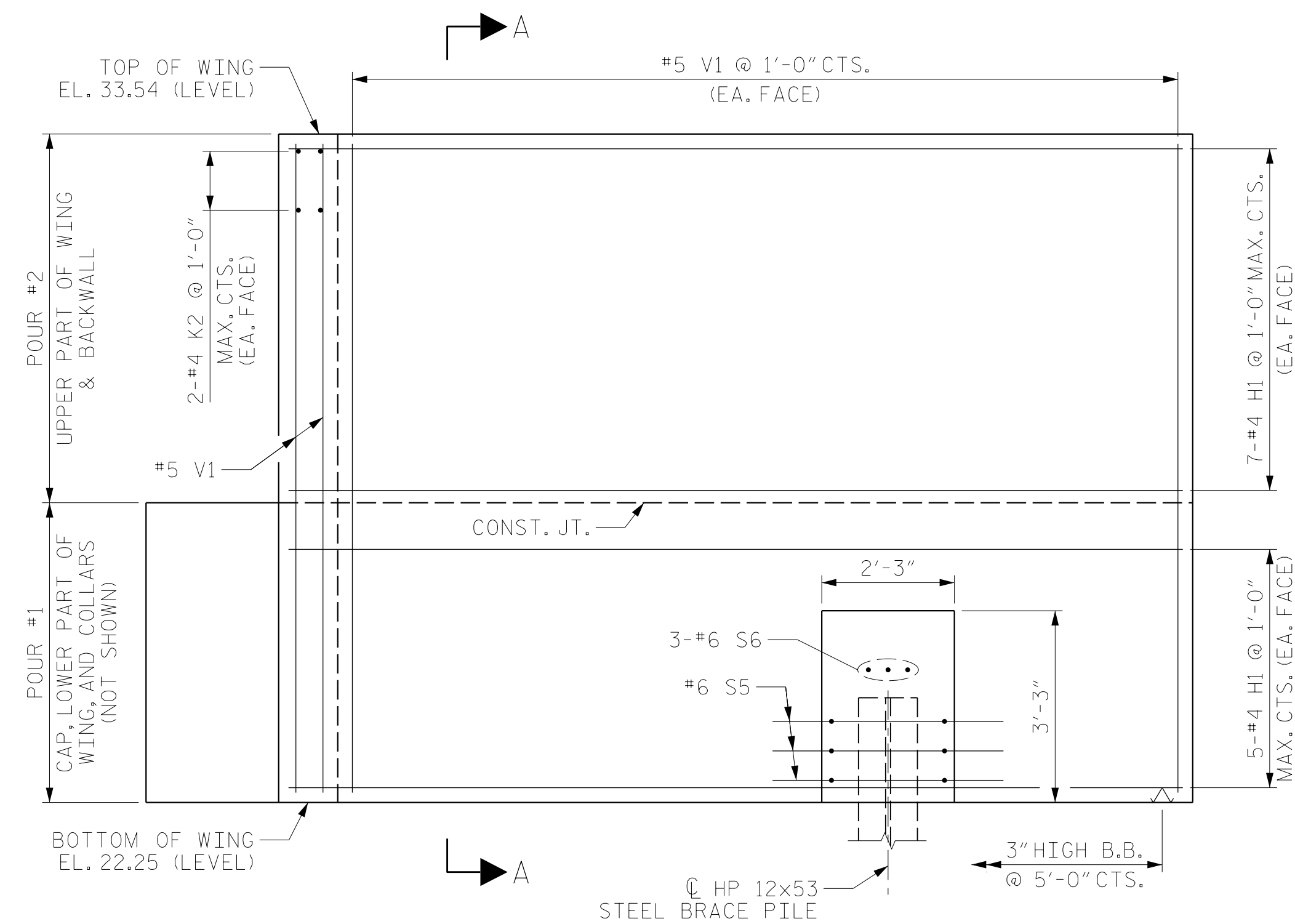
PLAN OF WING - W2



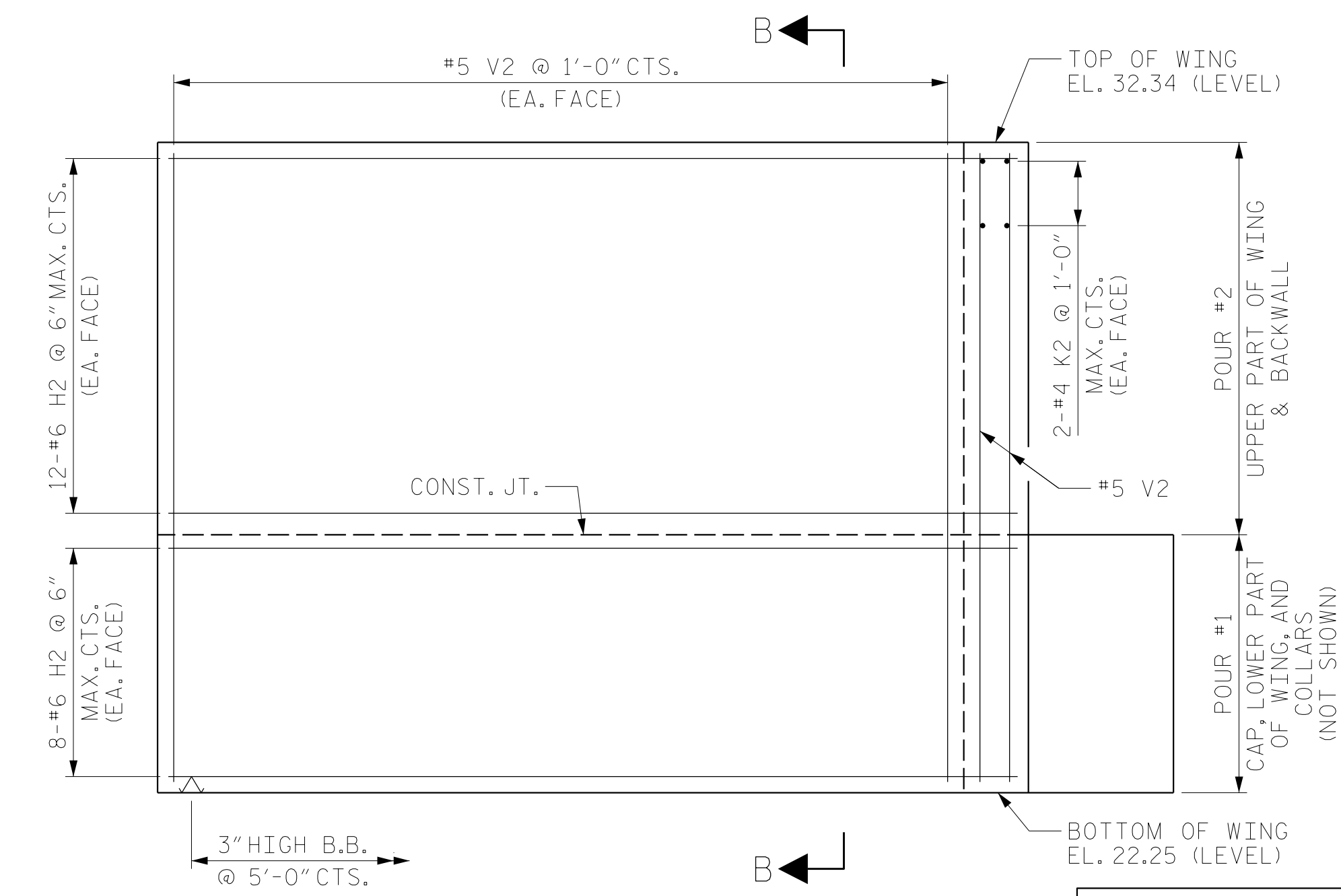
SECTION A-A



SECTION B-B



ELEVATION OF WING - W1



ELEVATION OF WING - W2

PROJECT NO. B-4484
 CRAVEN COUNTY
 STATION: 25+06.00 -L1-

SHEET 2 OF 3 REPLACES BRIDGE NO. 240138



RS&H
 RS&H Architects-Engineers-Planners, Inc.
 8521 Six Forks Road, Suite 400
 919-926-4100 FAX 919-846-9080
 www.rsandh.com
 North Carolina License No. 50737-5403-C&E

STATE OF NORTH CAROLINA DEPARTMENT OF TRANSPORTATION RALEIGH SUBSTRUCTURE END BENT 1 WING WALL DETAILS					
REVISIONS					
NO.	BY:	DATE:	NO.	BY:	DATE:
1			3		
2			4		
SHEET NO.					S1-27
TOTAL SHEETS					37

DRAWN BY : NSC DATE : 05/2019
 CHECKED BY : JMR DATE : 06/2019
 DESIGN ENGINEER OF RECORD: MAL DATE : 06/2019

DOCUMENT NOT CONSIDERED
 FINAL UNLESS ALL
 SIGNATURES COMPLETED