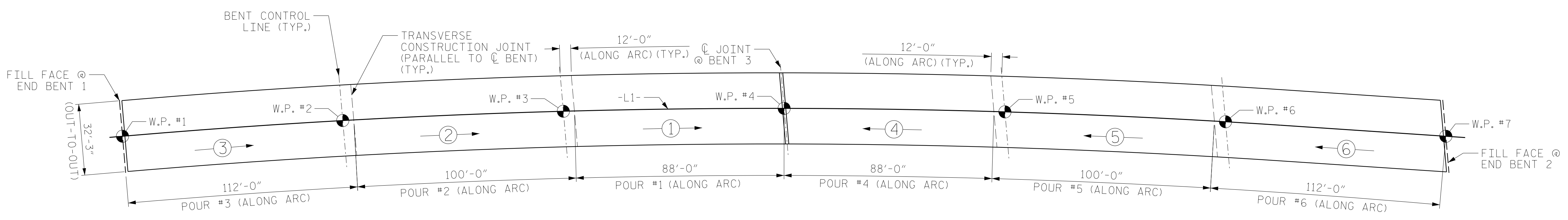
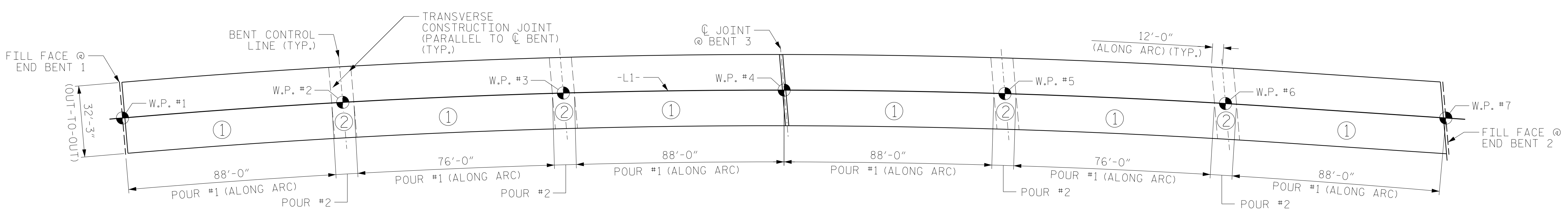


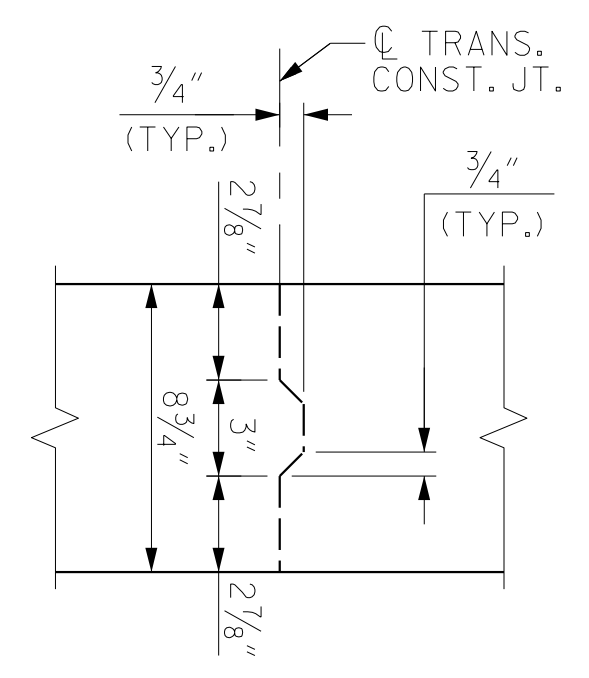
LAYOUT FOR COMPUTING AREA OF REINFORCED CONCRETE DECK SLAB
(SQ. FT = 19,277)



POURING SEQUENCE



OPTIONAL POURING SEQUENCE

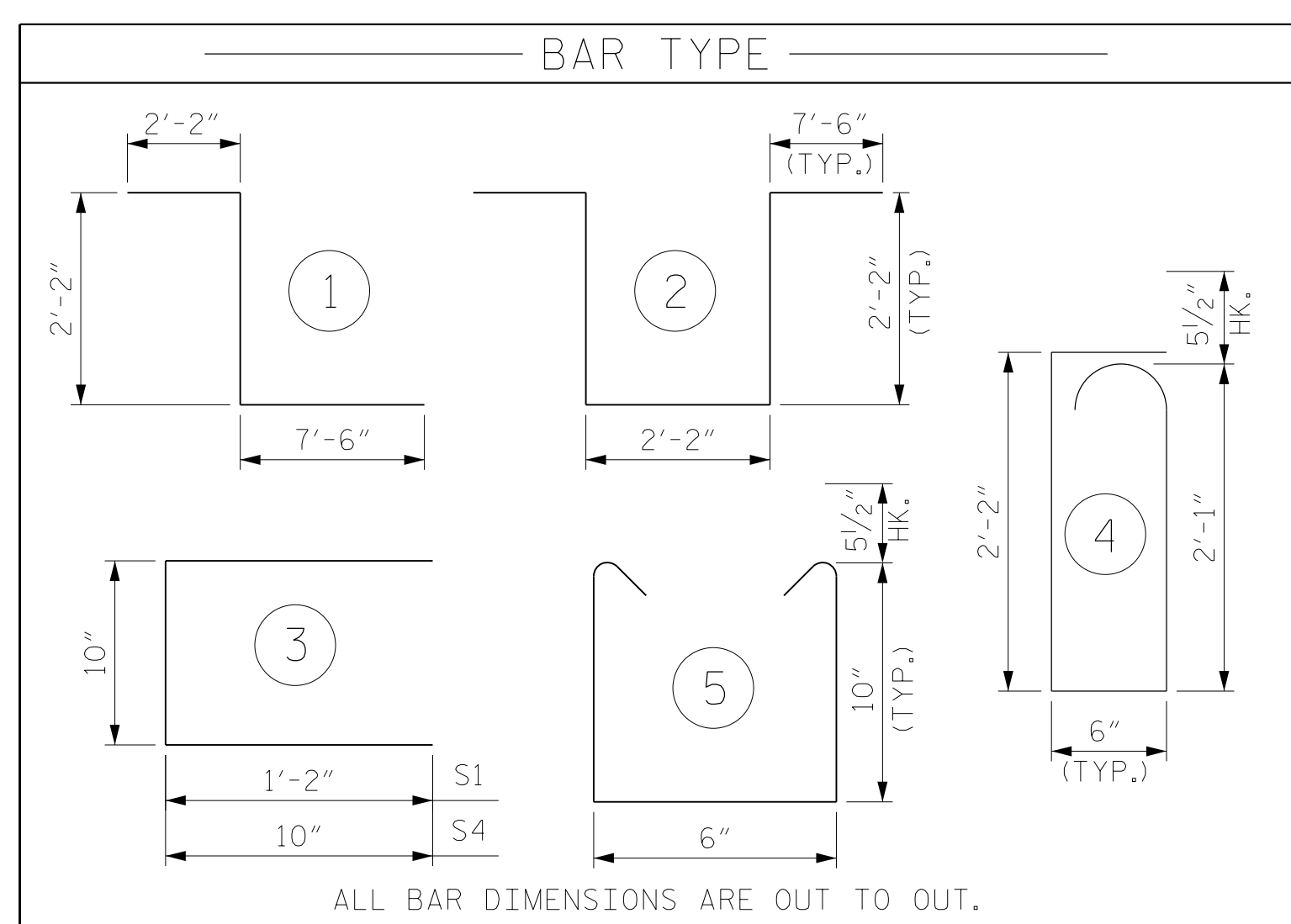


TRANSVERSE CONSTRUCTION JOINT DETAIL

REINFORCING STEEL IN SLAB NOT SHOWN. LONGITUDINAL REINFORCEMENT SHALL BE CONTINUOUS THROUGH JOINT.

SUPERSTRUCTURE REINFORCING STEEL LENGTHS ARE BASED ON THE FOLLOWING MINIMUM SPLICE LENGTHS

BAR SIZE	SUPERSTRUCTURE EXCEPT APPROACH SLABS, PARAPET, AND BARRIER RAIL		APPROACH SLABS		PARAPETS AND BARRIER RAILS
	EPOXY COATED	UNCOATED	EPOXY COATED	UNCOATED	EPOXY COATED
#4	1'-11"	1'-7"	1'-11"	1'-7"	2'-6"
#5	2'-5"	2'-0"	2'-5"	2'-0"	3'-1"
#6	2'-10"	2'-5"	3'-7"	2'-5"	3'-8"
#7	4'-2"	2'-9"	--	--	--
#8	4'-9"	3'-2"	--	--	--



ALL BAR DIMENSIONS ARE OUT TO OUT.

CLASS AA CONCRETE

	CU. YDS.
POUR 1	91.7
POUR 2	101.8
POUR 3	115.1
POUR 4	91.7
POUR 5	101.8
POUR 6	115.1
TOTALS**	617.2

**QUANTITIES FOR BARRIER RAIL ARE NOT INCLUDED

BILL OF MATERIAL

BAR	NO.	SIZE	TYPE	LENGTH	WEIGHT
* A101	1184	#5	STR	31'-11"	39414
* A102	2	#5	STR	9'-1"	19
* A103	2	#5	STR	20'-7"	43
* A104	2	#5	STR	5'-9"	12
* A105	2	#5	STR	9'-8"	20
* A106	2	#5	STR	13'-7"	28
* A107	2	#5	STR	17'-6"	37
* A108	2	#5	STR	21'-5"	45
* A109	2	#5	STR	25'-4"	53
* A110	2	#5	STR	29'-3"	61
A201	1184	#5	STR	31'-11"	39414
A202	2	#5	STR	9'-1"	19
A203	2	#5	STR	20'-7"	43
A204	2	#5	STR	5'-9"	12
A205	2	#5	STR	9'-8"	20
A206	2	#5	STR	13'-7"	28
A207	2	#5	STR	17'-6"	37
A208	2	#5	STR	21'-5"	45
A209	2	#5	STR	25'-4"	53
A210	2	#5	STR	29'-3"	61
* B1	256	#4	STR	34'-6"	5900
* B2	128	#6	STR	60'-0"	11535
* B3	128	#6	STR	12'-10"	2467
* B4	124	#6	STR	16'-0"	2980
* B5	64	#4	STR	34'-2"	1461
B6	264	#5	STR	36'-10"	10142
B7	132	#5	STR	60'-0"	8261
B8	120	#5	STR	16'-0"	2003
B9	66	#5	STR	44'-0"	3029
B10	72	#5	STR	51'-5"	3861
* B11	32	#4	STR	39'-0"	834
* G1	4	#5	STR	31'-11"	133
* K1	16	#8	1	11'-10"	506
* K2	16	#8	2	21'-6"	918
* K3	24	#4	STR	7'-6"	120
* K4	18	#6	STR	7'-0"	189
* S1	36	#4	3	3'-2"	76
* S2	72	#5	4	5'-9"	432
* S3	24	#5	5	3'-1"	77
* S4	36	#4	3	2'-6"	60
REINFORCING STEEL					67,028 LBS.
* EPOXY COATED REINFORCING STEEL					67,420 LBS.

GROOVING BRIDGE FLOORS

APPROACH SLABS	612 SQ.FT.
BRIDGE DECK	16,121 SQ.FT.
TOTAL	16,733 SQ.FT.

PROJECT NO. B-4484
CRAVEN COUNTY
STATION: 25+06.00 -L1-

REPLACES BRIDGE NO. 240138



STATE OF NORTH CAROLINA
DEPARTMENT OF TRANSPORTATION
RALEIGH
SUPERSTRUCTURE
BILL OF MATERIAL

DRAWN BY: NSC DATE: 04/2019
CHECKED BY: JMR DATE: 06/2019
DESIGN ENGINEER OF RECORD: PDS DATE: 06/2019

DOCUMENT NOT CONSIDERED FINAL UNLESS ALL SIGNATURES COMPLETED

REVISIONS

NO.	BY:	DATE:	NO.	BY:	DATE:
1			3		
2			4		

SHEET NO. S1-25
TOTAL SHEETS 37