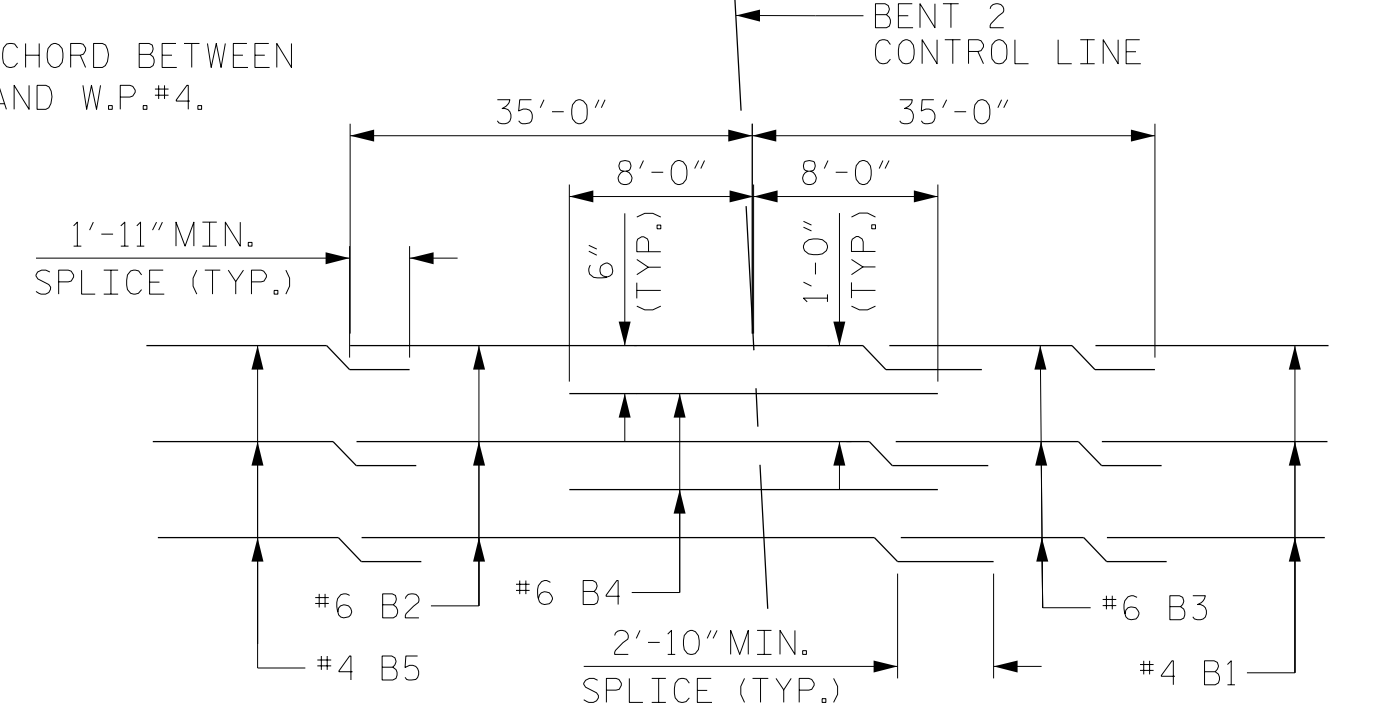


PART PLAN OF SPAN B AND PLAN OF SPAN C

- * DIMENSIONS ARE RADIAL TO C -L1-
- ** 6-#4 S4 AND 6-#5 S2 @ 1'-0"CTS. (TYP. EA. BAY)
- *** #5 A103 THRU #5 A102 @ 6"CTS. (TOP OF SLAB)
- *** #5 A203 THRU #5 A202 @ 6"CTS. (BOTTOM OF SLAB)
- *** 85°-50'-53" (TO SHORT CHORD)

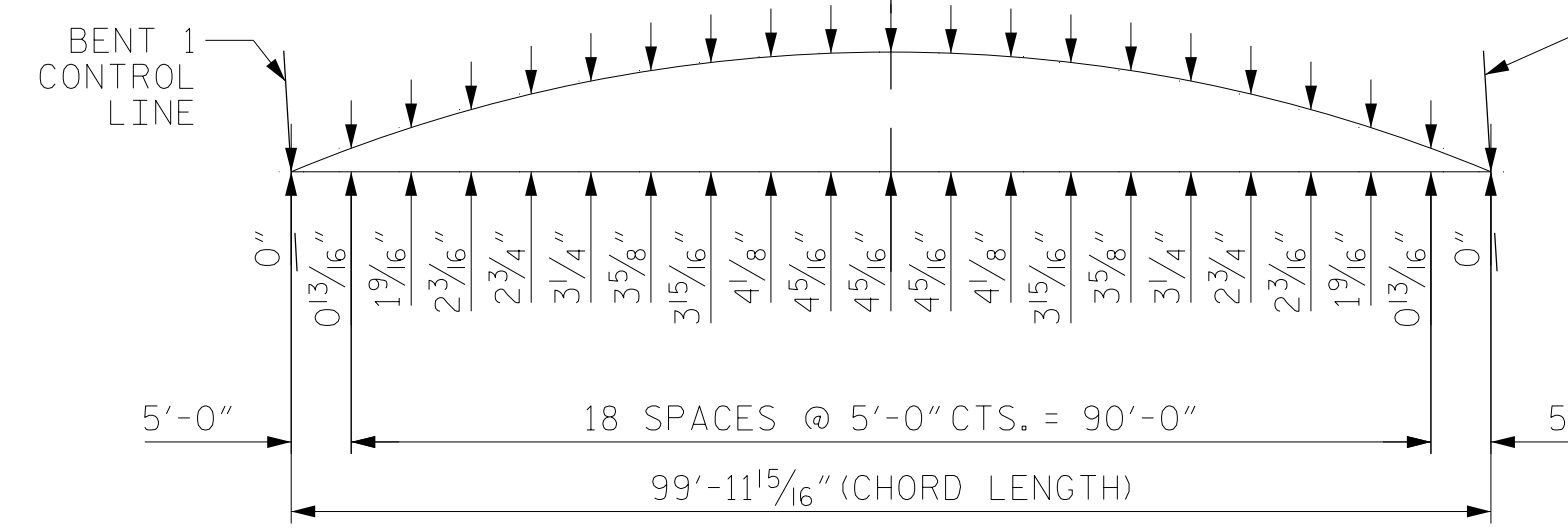


TOP OF SLAB REINFORCING STEEL LAYOUT

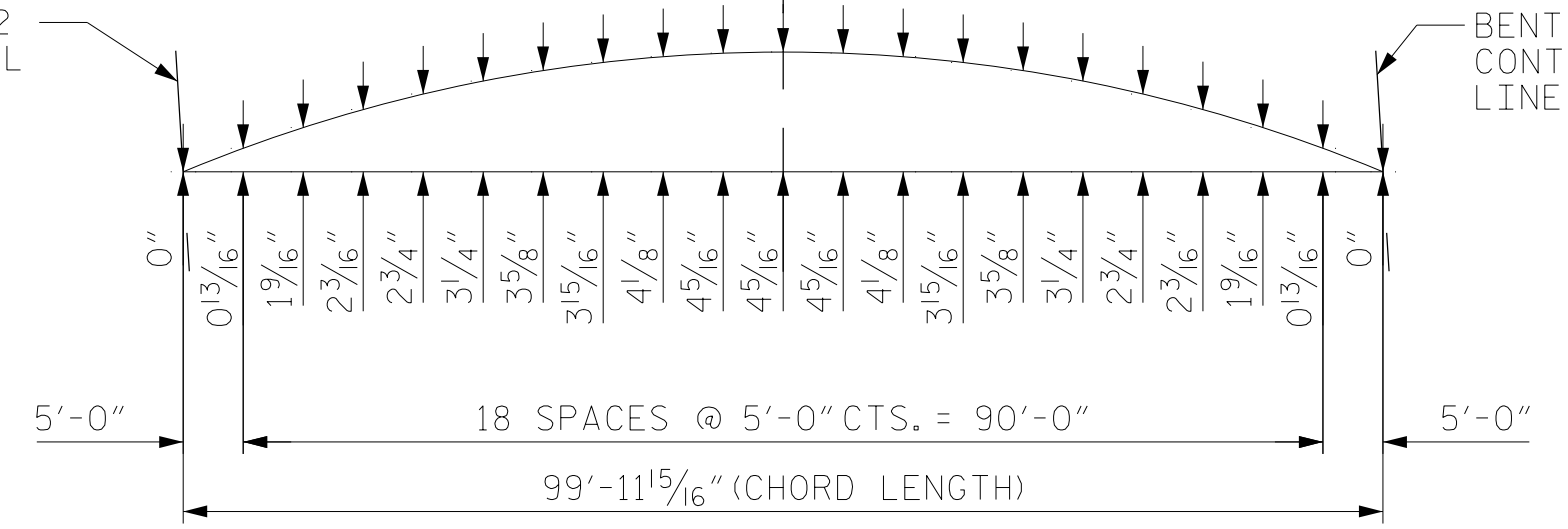
PROJECT NO. B-4484
 CRAVEN COUNTY
 STATION: 25+06.00 -L1-

NOTES

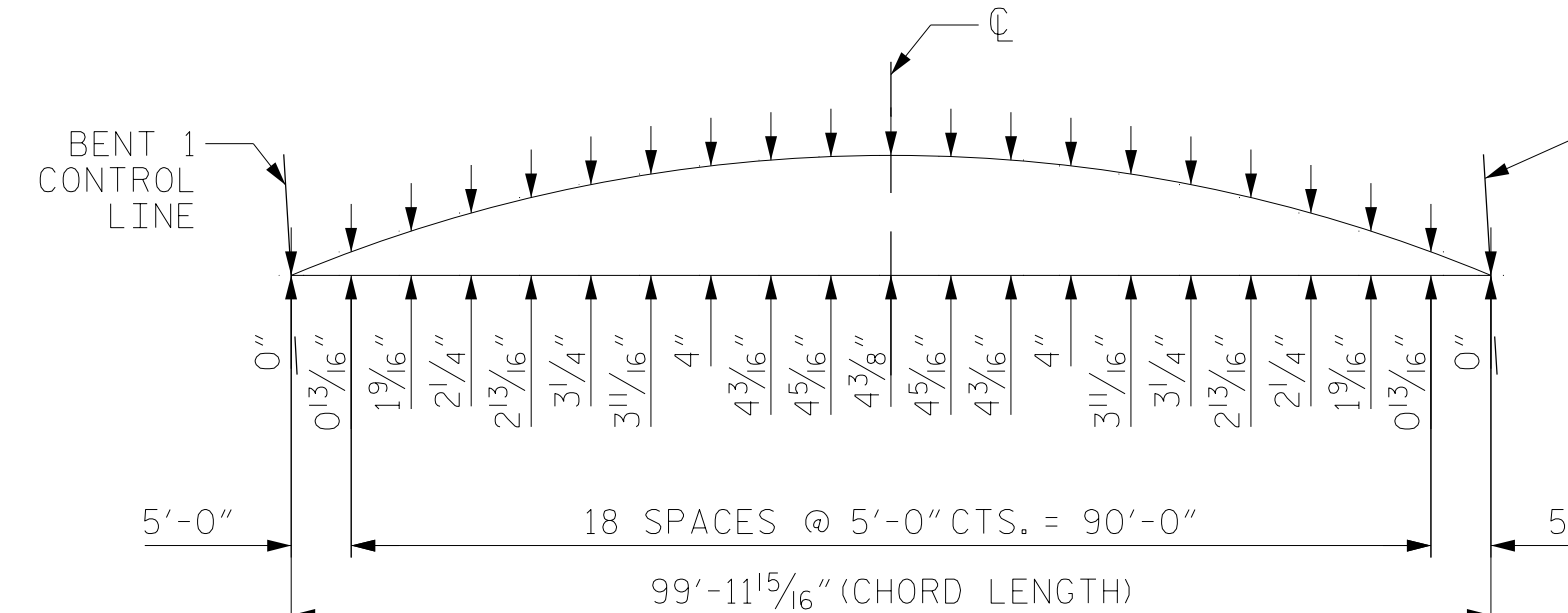
- FOR SPLICE LENGTHS NOT SHOWN, REFER TO MINIMUM SPLICE LENGTH TABLE ON "SUPERSTRUCTURE BILL OF MATERIAL" SHEET.
- FOR END BENT DIAPHRAGM BARS AND BENT DIAPHRAGM BARS, SEE "TYPICAL SECTION DETAILS" SHEET.
- STEEL INTERMEDIATE DIAPHRAGMS NOT SHOWN FOR CLARITY. FOR LOCATIONS, SEE "FRAMING PLAN" SHEETS.
- FOR BARRIER RAIL REINFORCING STEEL, SEE "VERTICAL CONCRETE BARRIER RAIL" SHEETS.
- FOR POURING SEQUENCE, SEE "SUPERSTRUCTURE BILL OF MATERIAL" SHEET.
- #5 "A" BARS ARE SPACED PERPENDICULAR TO THE CHORD BETWEEN W.P. #1 TO W.P. #4 (SPANS A-C).



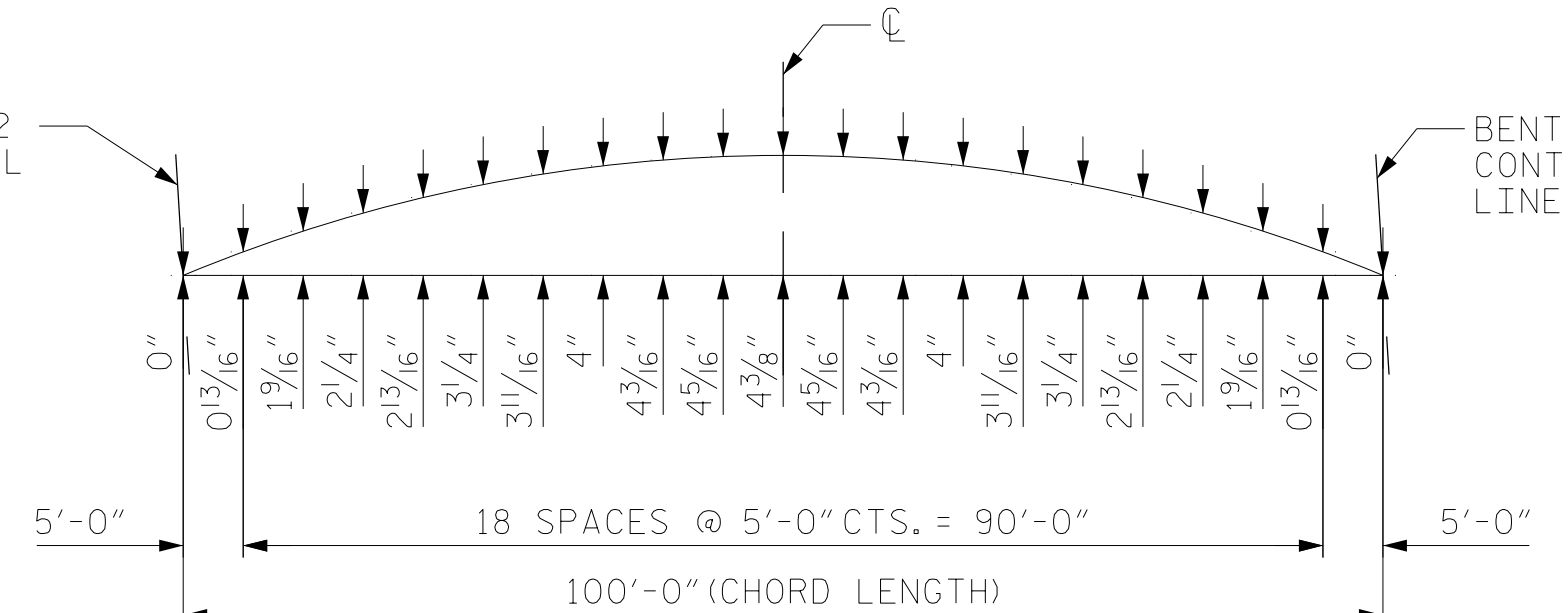
LEFT SIDE SPAN "B" ARC OFFSETS



LEFT SIDE SPAN "C" ARC OFFSETS



RIGHT SIDE SPAN "B" ARC OFFSETS



RIGHT SIDE SPAN "C" ARC OFFSETS

DOCUMENT NOT CONSIDERED FINAL UNLESS ALL SIGNATURES COMPLETED

DRAWN BY :	NSC	DATE :	04/2019
CHECKED BY :	JMR	DATE :	06/2019
DESIGN ENGINEER OF RECORD:	PDS	DATE :	06/2019

RS&H
 RS&H Architects-Engineers-Planners, Inc.
 8521 Six Forks Road, Suite 400
 919-926-4100 FAX 919-846-9080
 www.rsandh.com
 North Carolina License No. 50737-54037-C&E

SHEET 2 OF 4 REPLACES BRIDGE NO. 240138

STATE OF NORTH CAROLINA DEPARTMENT OF TRANSPORTATION RALEIGH					
SUPERSTRUCTURE					
PART PLAN OF SPAN B PLAN OF SPAN C					
REVISIONS					
NO.	BY:	DATE:	NO.	BY:	DATE:
1			3		
2			4		
SHEET NO.					S1-10
TOTAL SHEETS					37