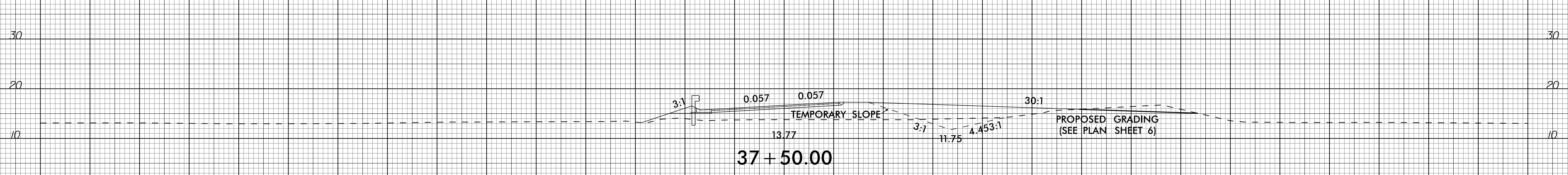
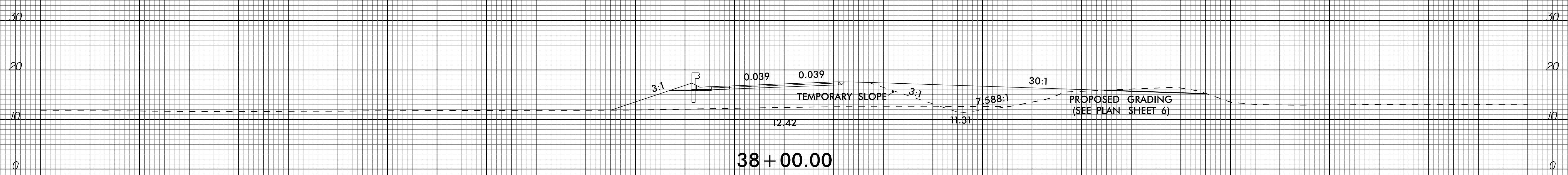
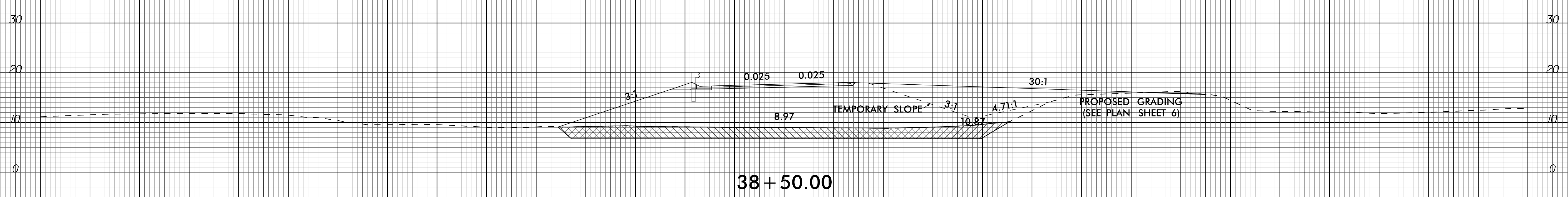
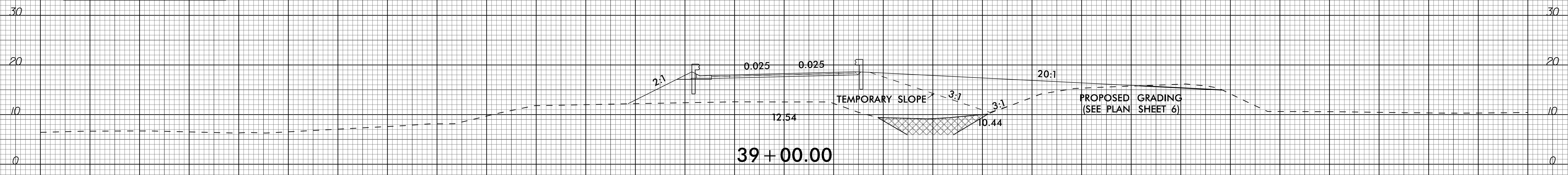


6/23/16

150 140 130 120 110 100 90 80 70 60 50 40 30 20 10 0 10 20 30 40 50 60 70 80 90 100 110 120 130 140 150

UNDERCUT EXCAVATION



150 140 130 120 110 100 90 80 70 60 50 40 30 20 10 0 10 20 30 40 50 60 70 80 90 100 110 120 130 140 150

05-MAR-2020 07:02
S:\Projects\B4484\B4484-Fldg-xpl.LI.dgn
B4484-Fldg-xpl.LI.dgn