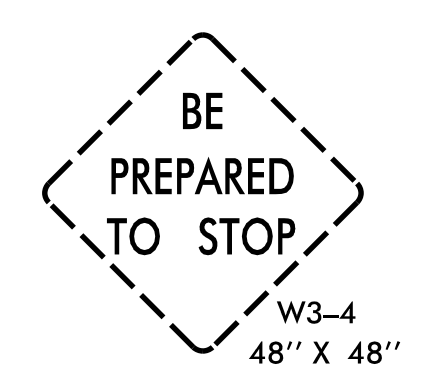
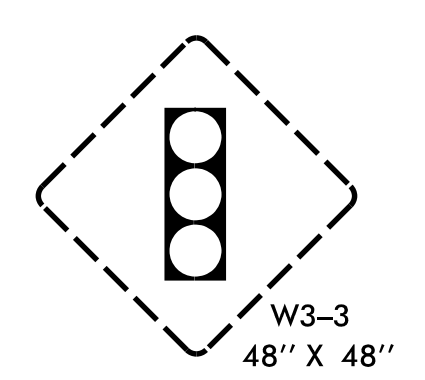


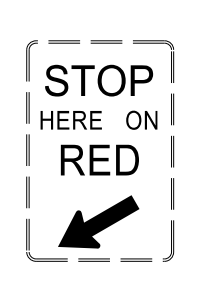
1



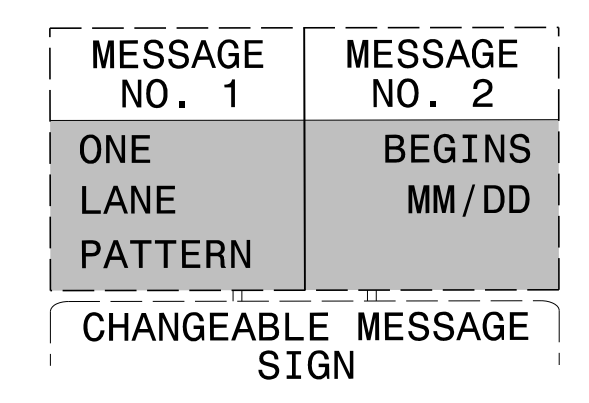
2



3



4

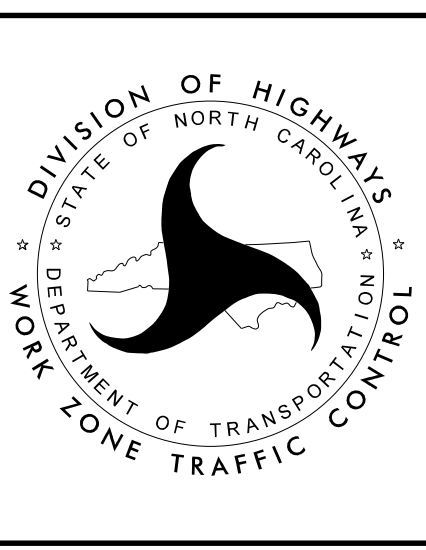


5



APPROVED: *Annie C. Pily*
8278R000003048E
 DATE: 3/27/2020

**DOCUMENT NOT CONSIDERED FINAL
UNLESS ALL SIGNATURES COMPLETED**



PHASE III DETAIL

3/19/2020
 R:\TrafficControl\TCP\B4484_tmp_piili.dtl_04.dgn
 User:PIZA