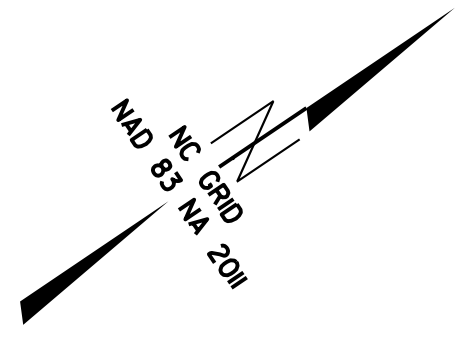
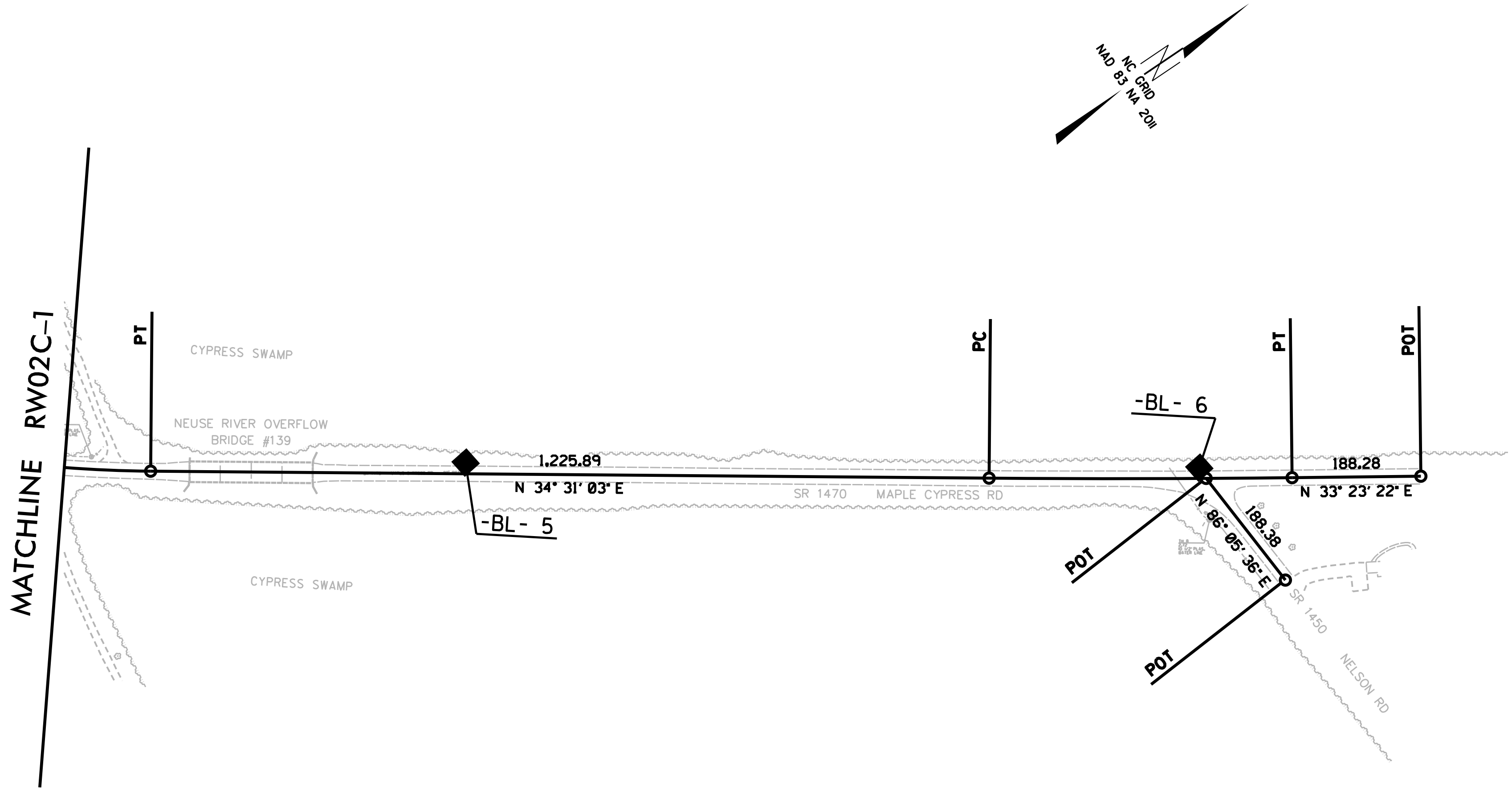


SURVEY CONTROL SHEET B-4484

W/ EXISTING CENTERLINE ALIGNMENTS PRIOR TO CONSTRUCTION

PROJECT REFERENCE NO. B-4484	SHEET NO. RW02C-2
Location and Surveys	
NEW BERN LOCATION & SURVEYS	



REVISIONS

NOTES:

1. PROJECT CONTROL WAS ESTABLISHED USING GNSS, THE GLOBAL NAVIGATION SATELLITE SYSTEM.
2. THE SURVEY CONTROL DATA FOR THIS PROJECT HAS BEEN COMPILED FROM VARIOUS SOURCES. IF FURTHER INFORMATION REGARDING PROJECT CONTROL IS NEEDED, PLEASE CONTACT THE LOCATION AND SURVEYS UNIT.

27-NOV-2018 15:36
 N:\BRIDGE\083\64484\Control_Sheets\B4484+LS_RW02C-2.dgn
 merhodes AT LSD2-299767 6/2/09