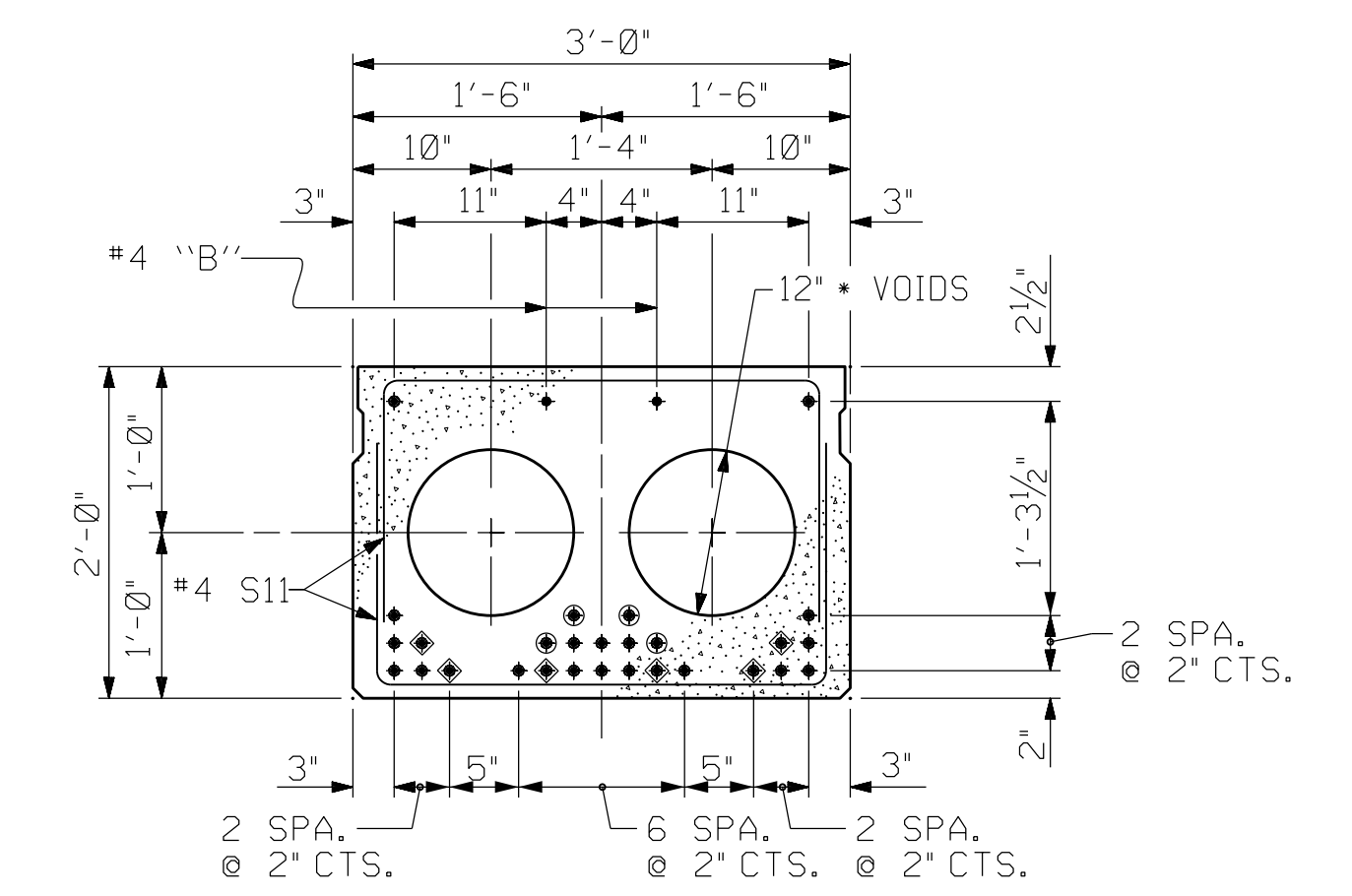


HALF SECTION THROUGH VOIDS **TYPICAL SECTION** HALF SECTION AT INTERMEDIATE DIAPHRAGMS

* - THE MAXIMUM PARAPET HEIGHT AND ASPHALT THICKNESS IS SHOWN. THE HEIGHT OF THE PARAPET AND ASPHALT THICKNESS VARIES WHILE THE TOP OF THE PARAPET FOLLOWS THE PROFILE OF THE CUTTERLINE. FOR RAIL HEIGHT DETAILS AND ASPHALT THICKNESS, SEE "SECTION THRU RAIL" DETAIL, SHEET 3 OF 4.

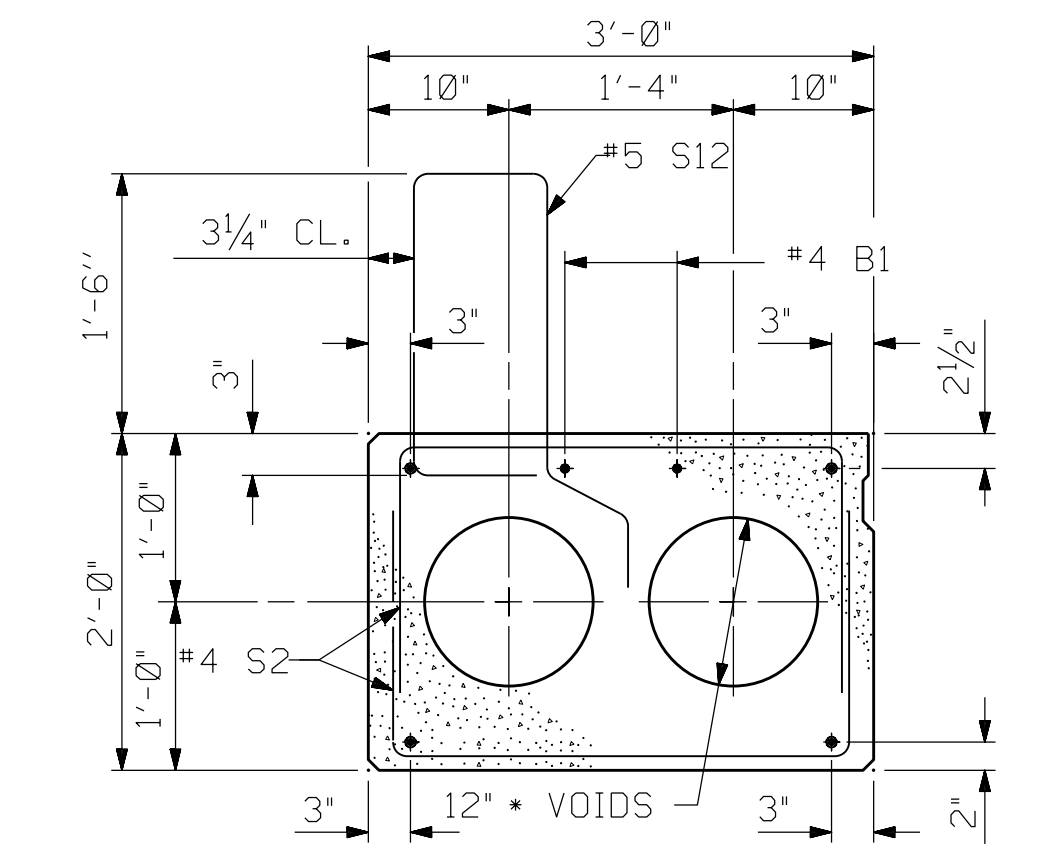


INTERIOR SLAB SECTION (65' UNIT)
(24 STRANDS REQUIRED)

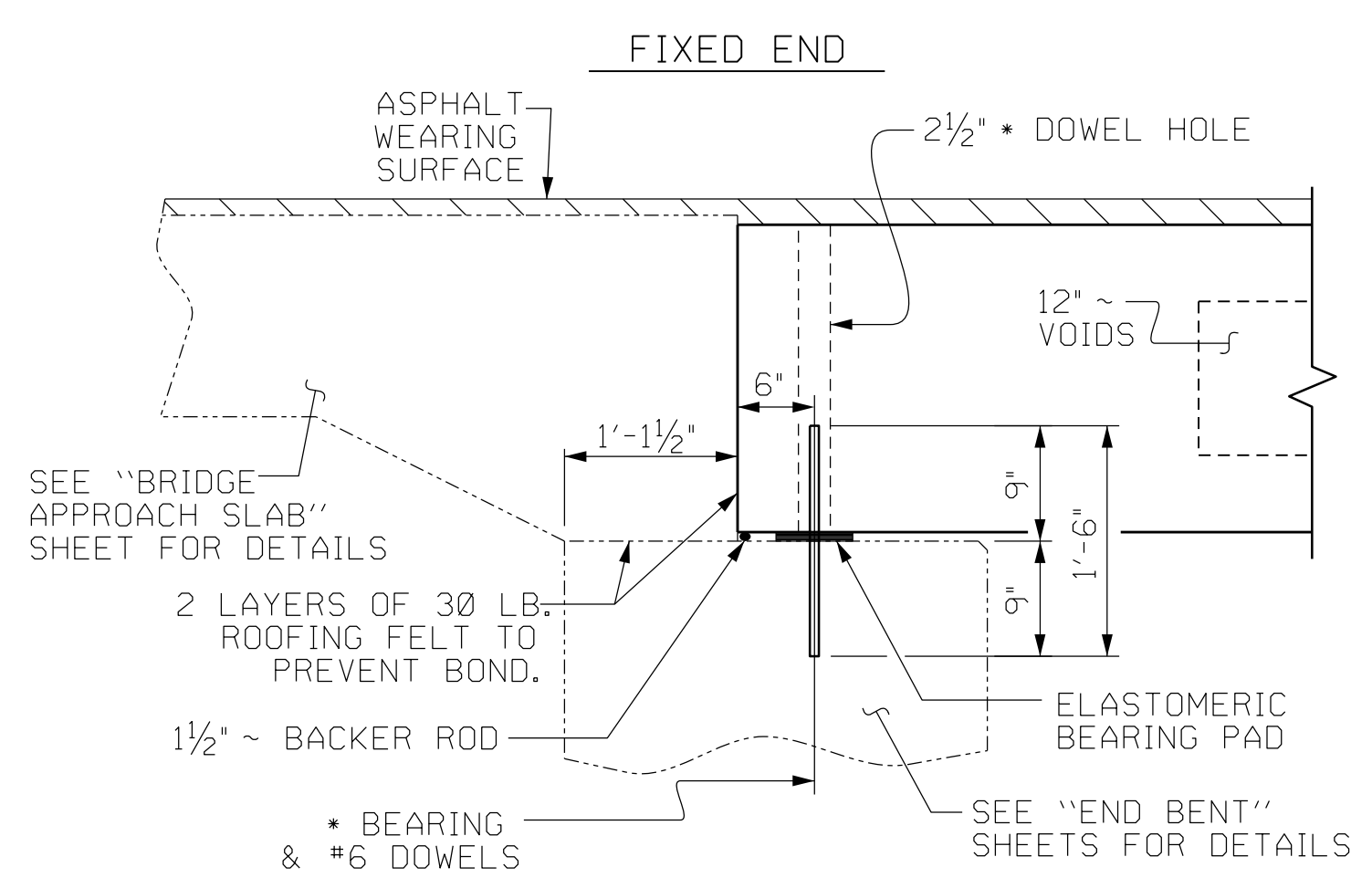
0.6" * LOW RELAXATION STRAND LAYOUT

- ◆ BOND SHALL BE BROKEN ON THESE STRANDS FOR A DISTANCE OF 12'-0" FROM END OF CORED SLAB UNIT. SEE STANDARD SPECIFICATIONS, ARTICLE 1078-7.
- OPTIONAL FULL LENGTH DEBONDED STRANDS. THESE STRANDS ARE NOT REQUIRED. IF THE FABRICATOR CHOOSES TO INCLUDE THESE STRANDS IN THE CORED SLAB UNIT, THE STRANDS SHALL BE DEBONDED FOR THE FULL LENGTH OF THE UNIT AT NO ADDITIONAL COST. SEE STANDARD SPECIFICATIONS, ARTICLE 1078-7.

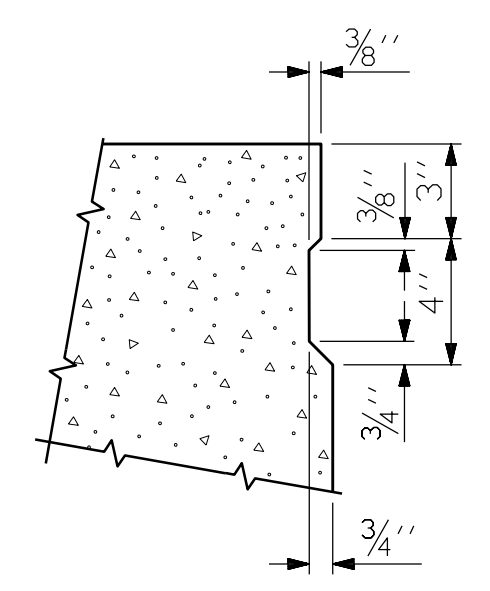
DEBONDING LEGEND



EXTERIOR SLAB SECTION
(FOR PRESTRESSED STRAND LAYOUT, SEE INTERIOR SLAB SECTION.)



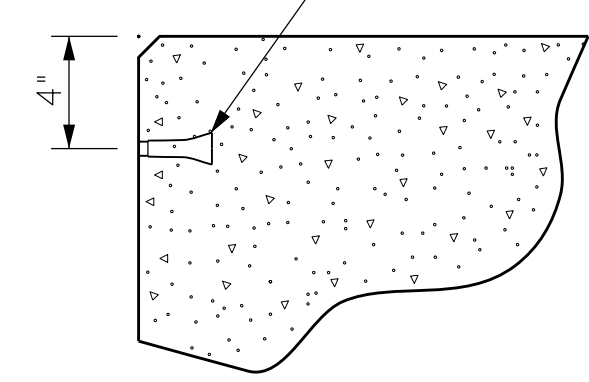
SECTION AT END BENT



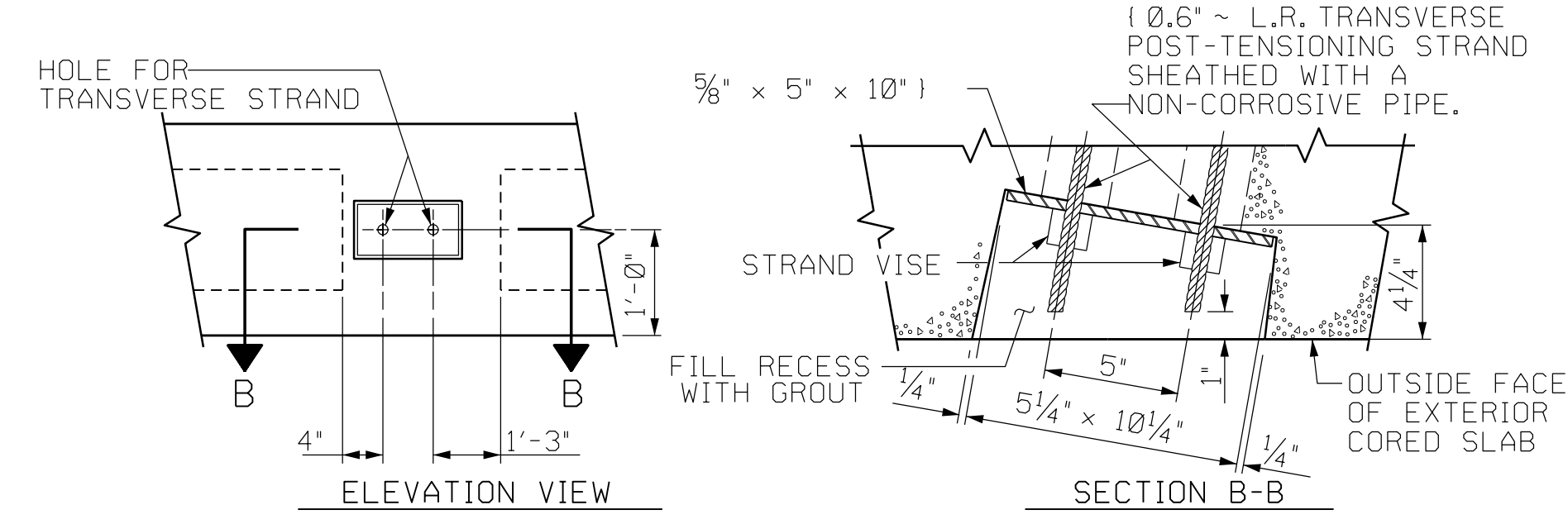
SHEAR KEY DETAIL

NOTE: OMIT SHEAR KEY ON OUTSIDE FACE OF EXTERIOR CORED SLABS.

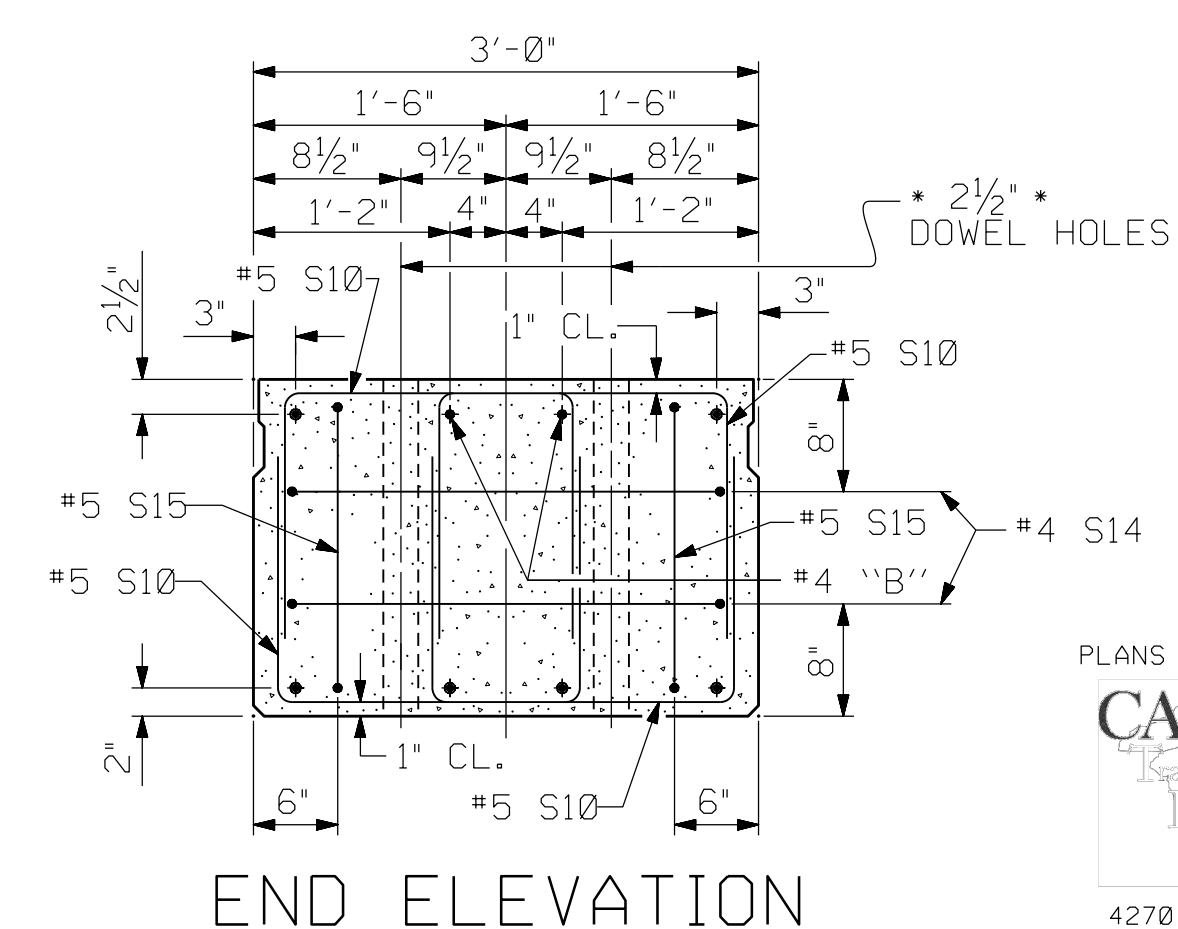
PERMITTED THREADED INSERT CAST IN OUTSIDE FACE OF EXTERIOR UNIT AND RECESSED 3/8" SIZE TO BE DETERMINED BY CONTRACTOR.



THREADED INSERT DETAIL

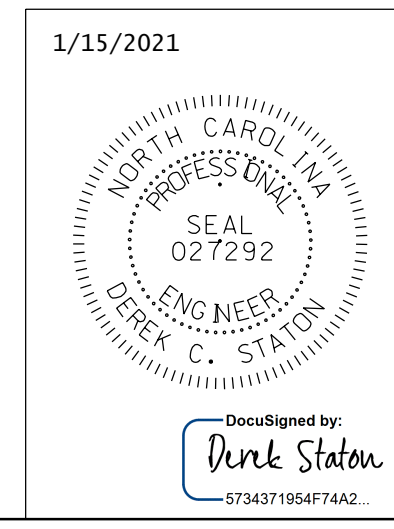


GROUTED RECESS AT END OF POST-TENSIONED STRAND CORED SLABS



END ELEVATION

SHOWING PLACEMENT OF DOUBLE STIRRUPS AND LOCATION OF DOWEL HOLES. (STRAND LAYOUT NOT SHOWN.) INTERIOR SLAB UNIT SHOWN-EXTERIOR SLAB UNIT SIMILAR EXCEPT SHEAR KEY LOCATION.



PROJECT NO. BR-0009
BUNCOMBE COUNTY
 STATION: 12+94.70 -L-

SHEET 1 OF 4

STATE OF NORTH CAROLINA
 DEPARTMENT OF TRANSPORTATION
 RALEIGH
 STANDARD
 3'-0" X 2'-0"
 PRESTRESSED CONCRETE
 CORED SLAB UNIT

ASSEMBLED BY : J.D. BAKER	DATE : 01-20
CHECKED BY : D.C. STATON	DATE : 01-20
DRAWN BY : MAA 6/10	REV. 9/14
CHECKED BY : MKT 7/10	MAA/TMG

REVISIONS						SHEET NO.
NO.	BY:	DATE:	NO.	BY:	DATE:	TOTAL SHEETS
1			3			18
2			4			

DOCUMENT NOT CONSIDERED FINAL UNLESS ALL SIGNATURES COMPLETED