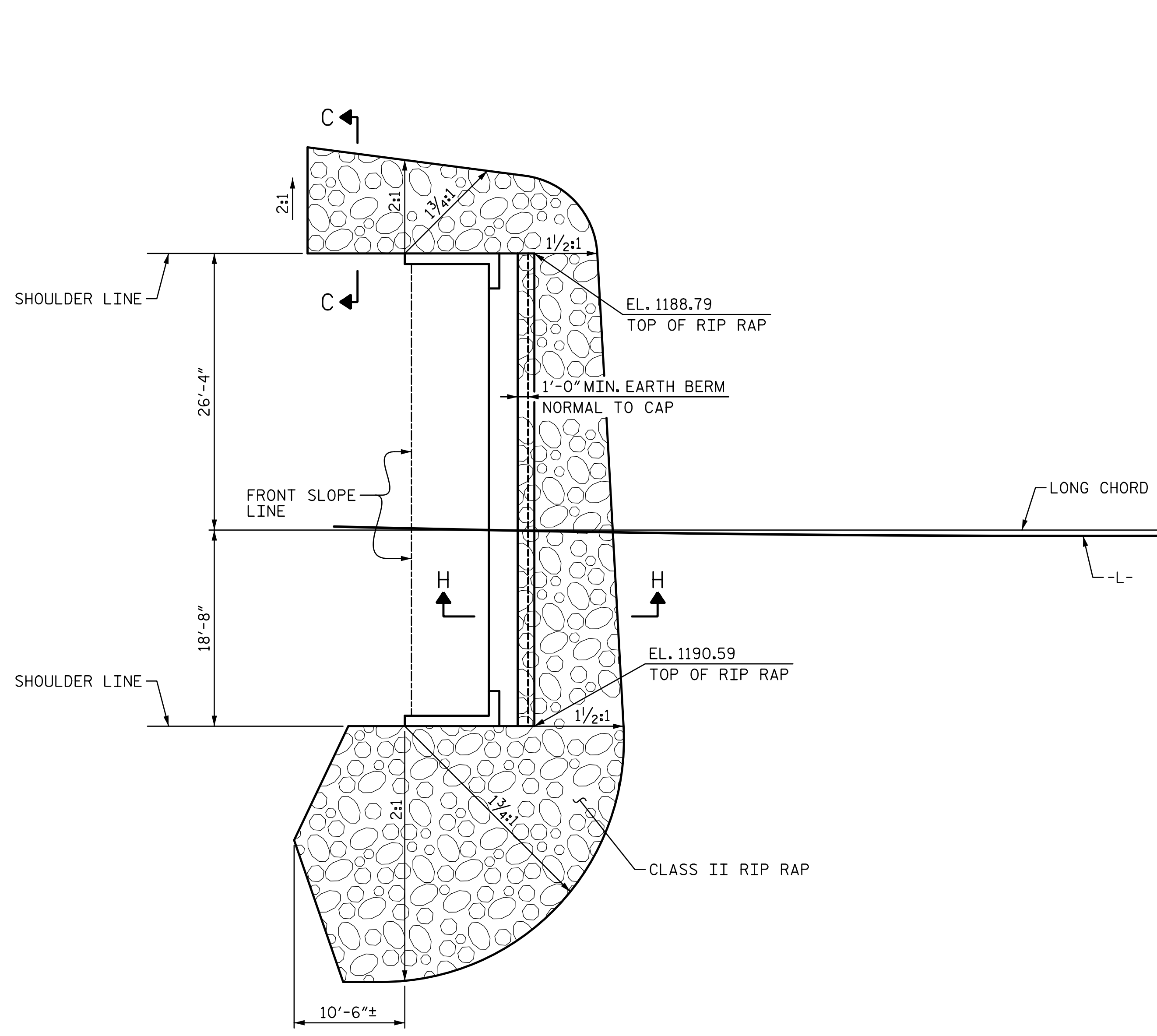
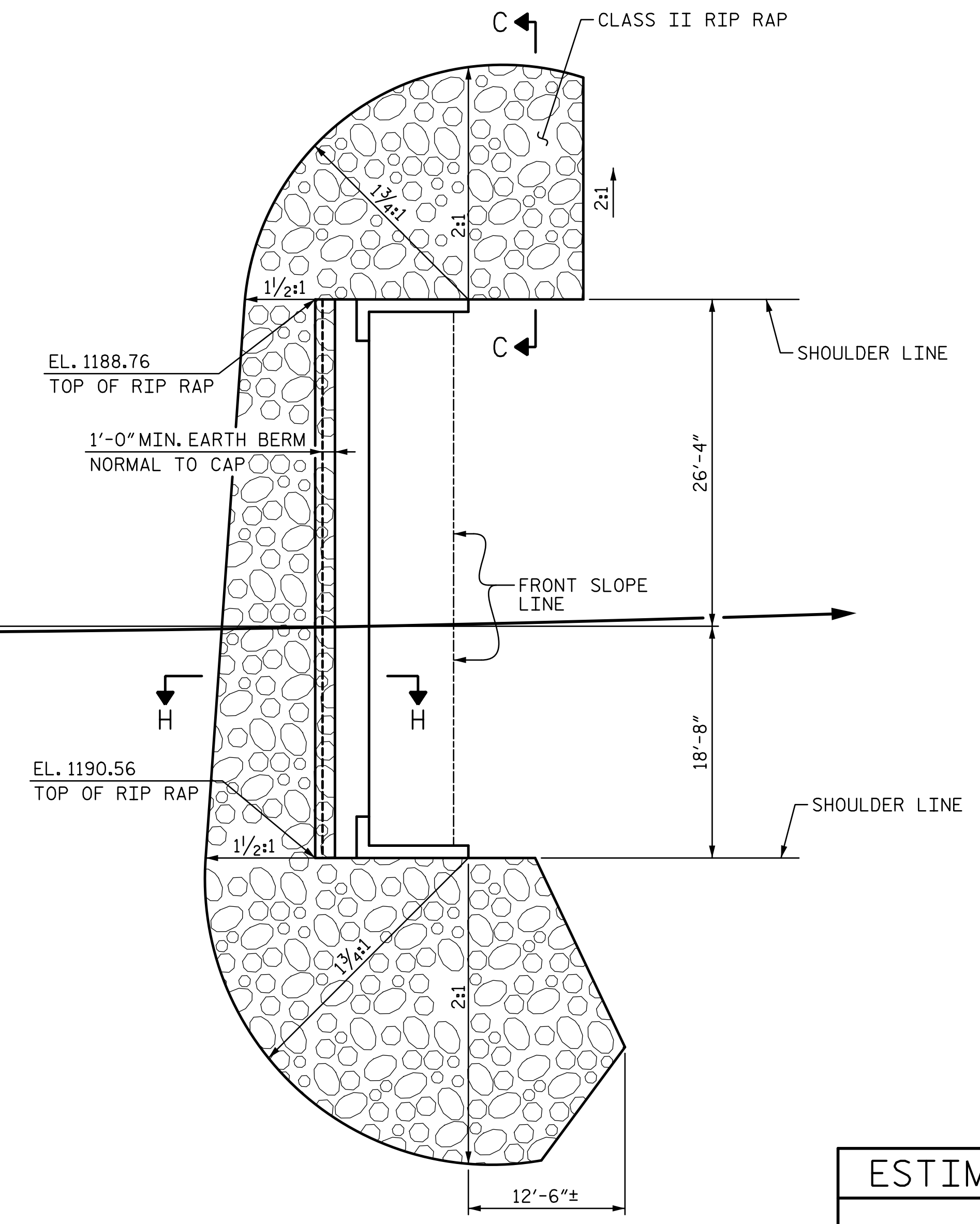


R:\Structures\ustation\Finals\401_043_BR-0126_SMU_LRR_022_960667.dgn 10:16:30 AM 5/14/2020 Jones

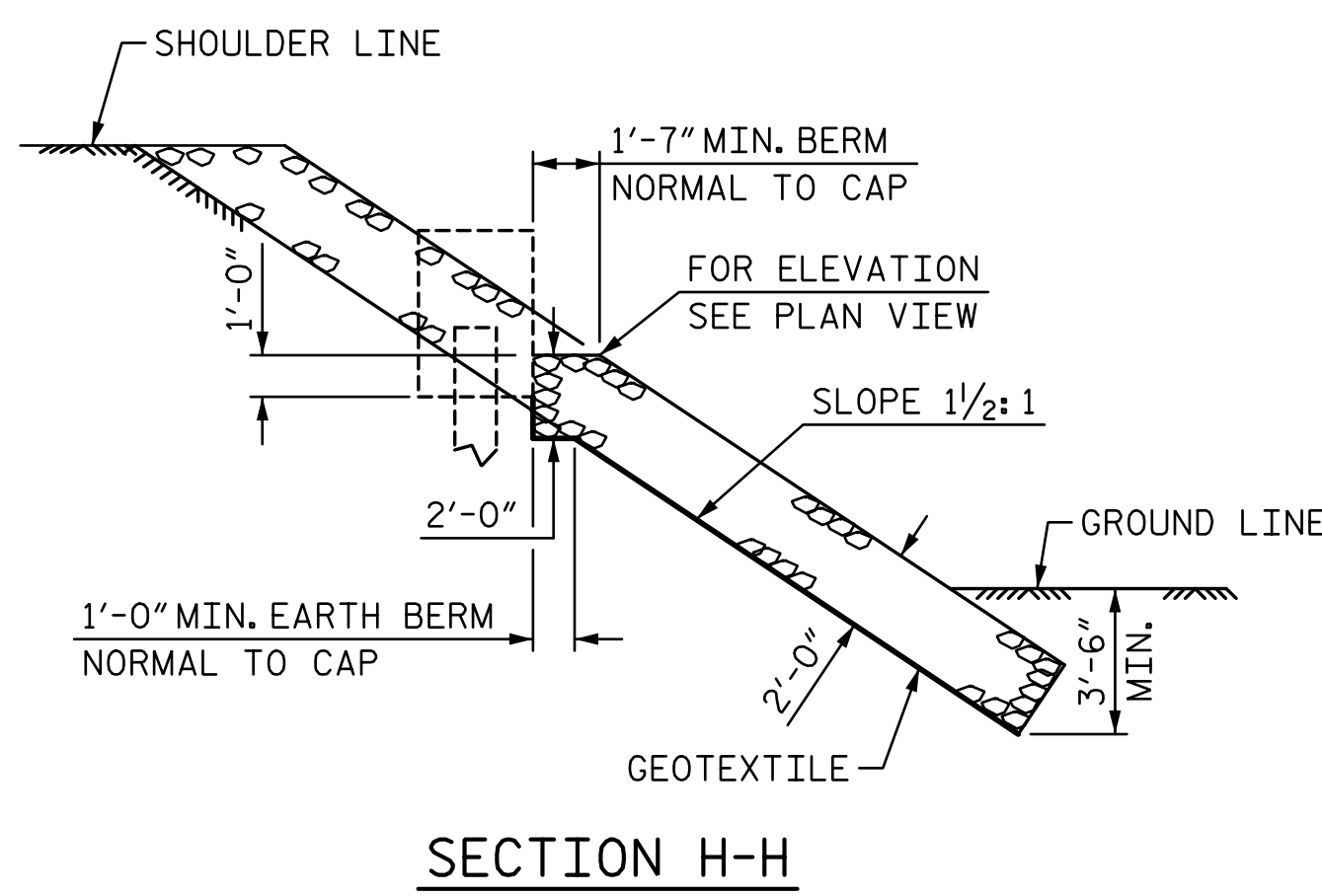


PLAN - END BENT 1

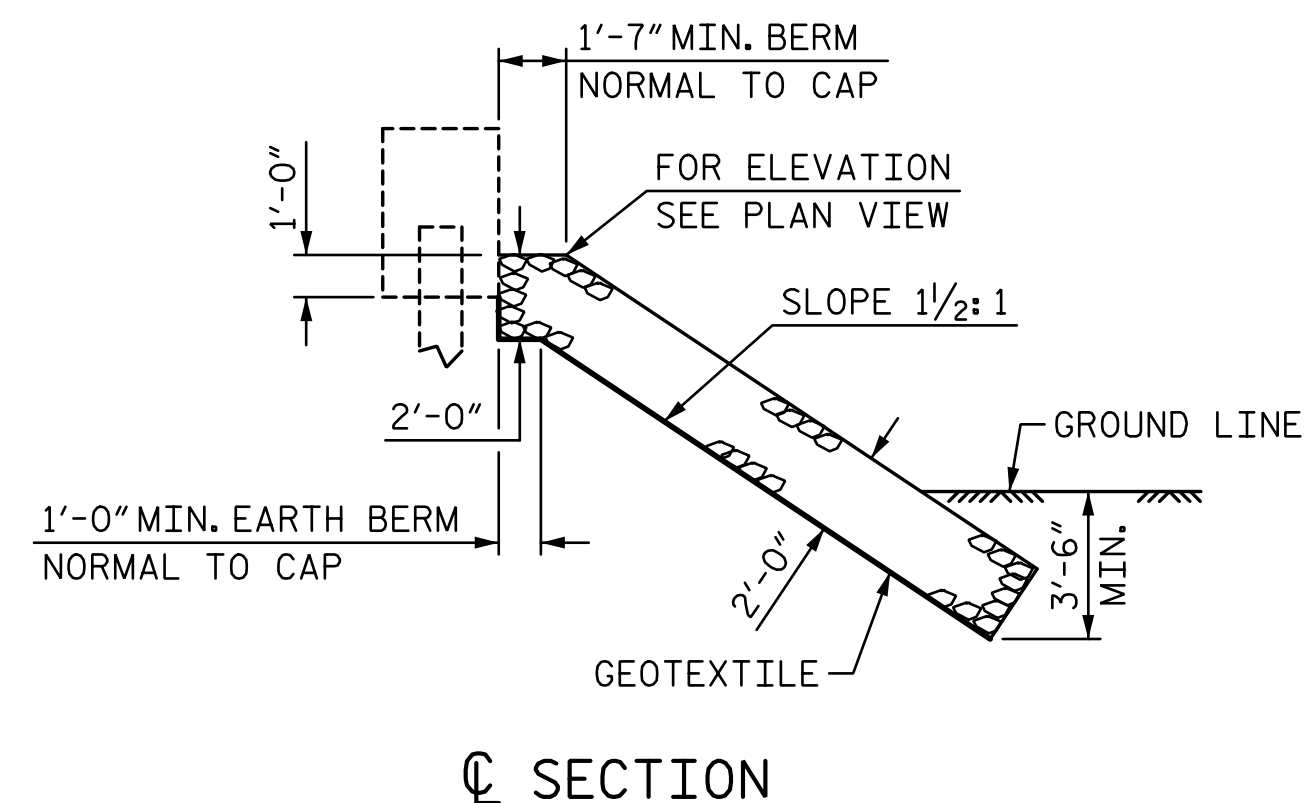


PLAN - END BENT 2

ESTIMATED QUANTITIES		
BRIDGE @ STA. 16+62.00 -L-	RIP RAP CLASS II (2'-0" THICK)	GEOTEXTILE FOR DRAINAGE
	TONS	SQUARE YARDS
END BENT 1	185	205
END BENT 2	215	240

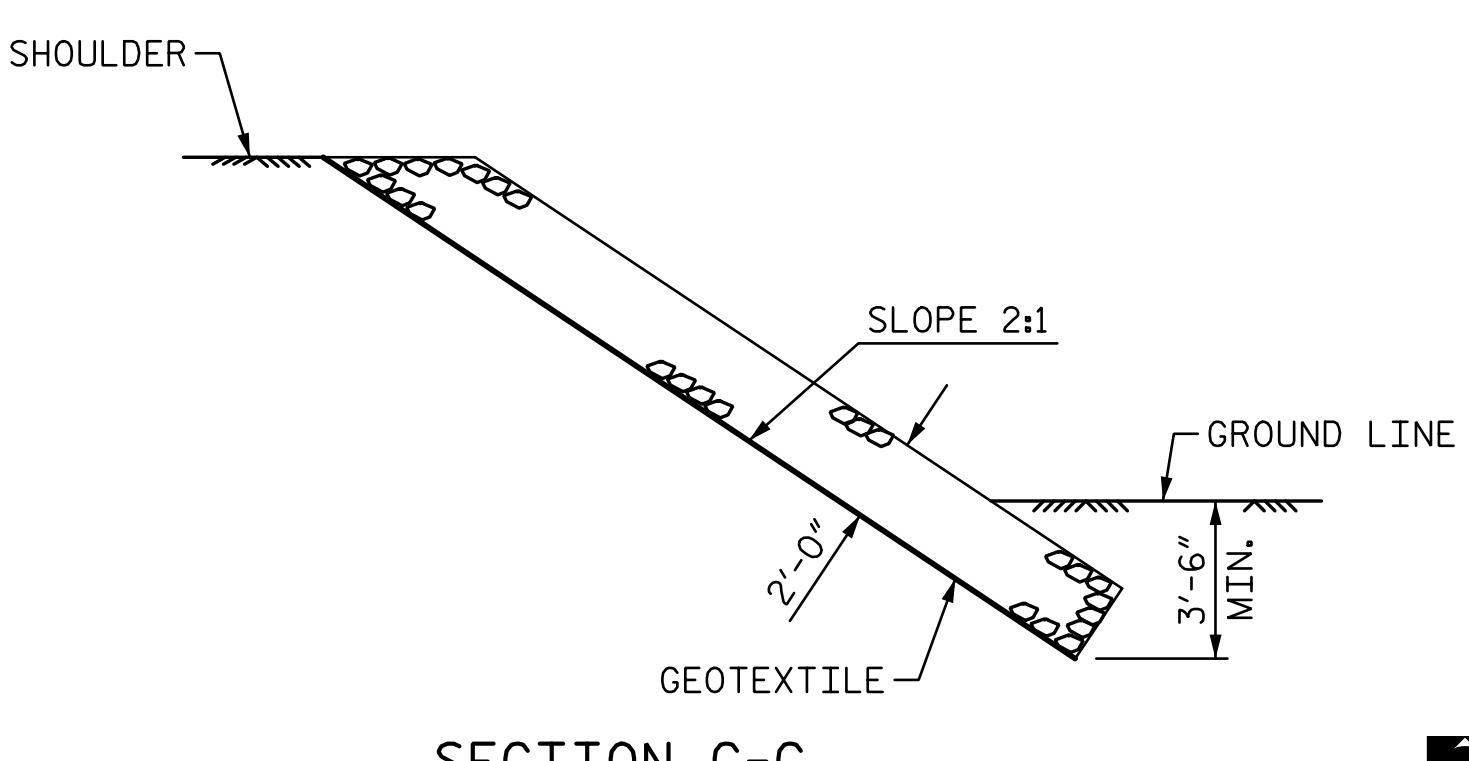


SECTION H-H

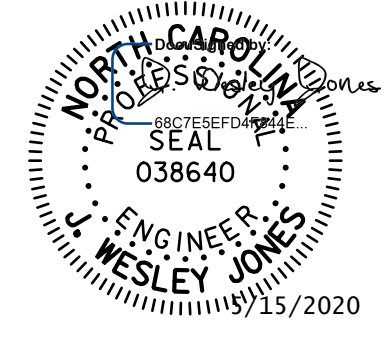


SECTION C-C
BERM RIP RAPPED

END BENT 1 SHOWN, END BENT 2 SIMILAR



SECTION C-C



STV 100 YEARS
STV ENGINEERS, INC.
900 West Trade St., Suite 715
Charlotte, NC 28202
NC License Number F-0991

DOCUMENT NOT CONSIDERED
FINAL UNLESS ALL
SIGNATURES COMPLETED

PROJECT NO. BR-0126
WILKES COUNTY
STATION: 16+62.00 -L-

STATE OF NORTH CAROLINA DEPARTMENT OF TRANSPORTATION RALEIGH					SHEET NO. S-22
RIP RAP DETAILS					
REVISIONS					TOTAL SHEETS 23
NO.	BY:	DATE:	NO.	BY:	
1			3		
2			4		

DRAWN BY : LAH DATE : 11-19
CHECKED BY : JWJ DATE : 3-20
DESIGN ENGINEER OF RECORD : JWJ DATE : 5-20