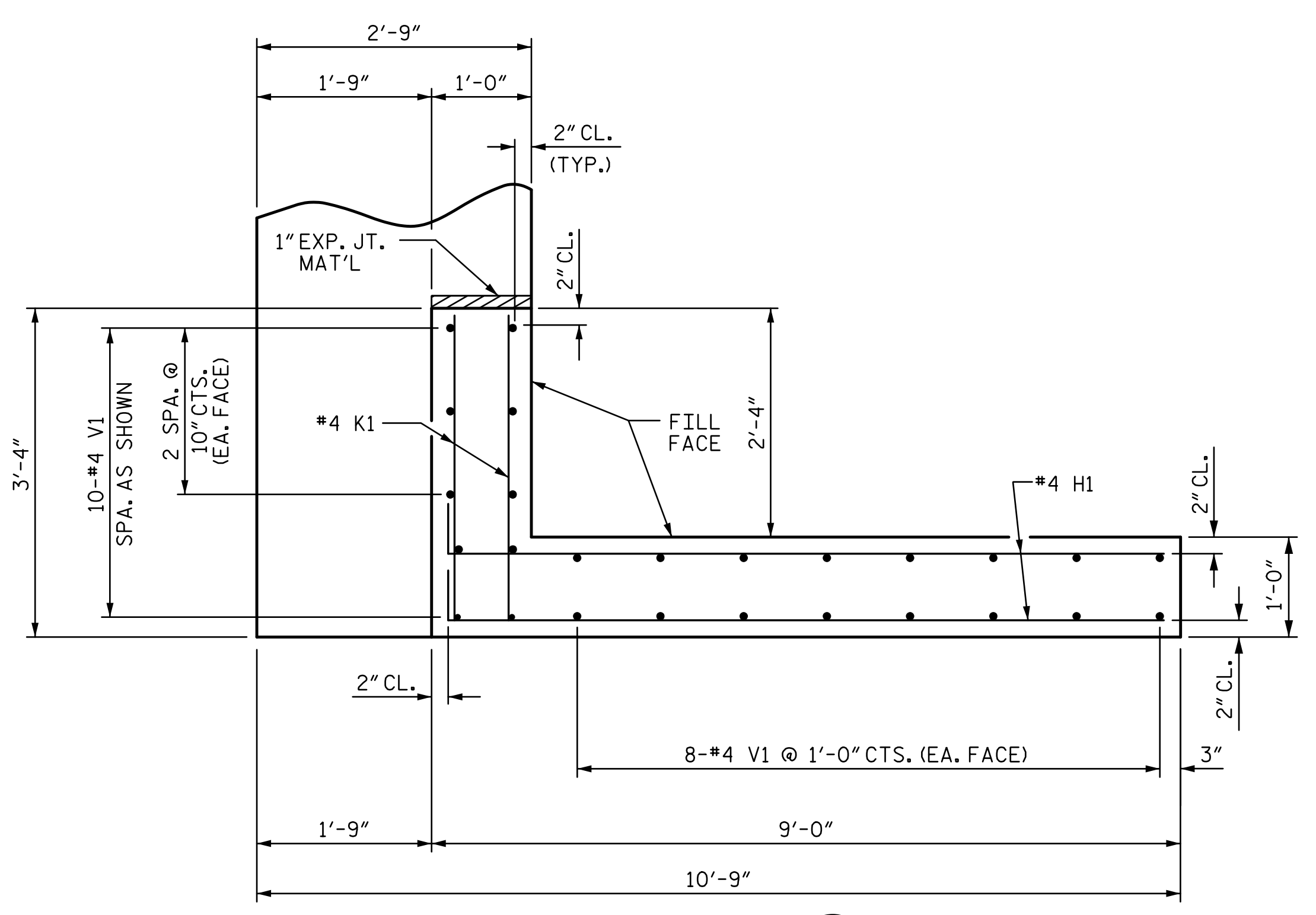
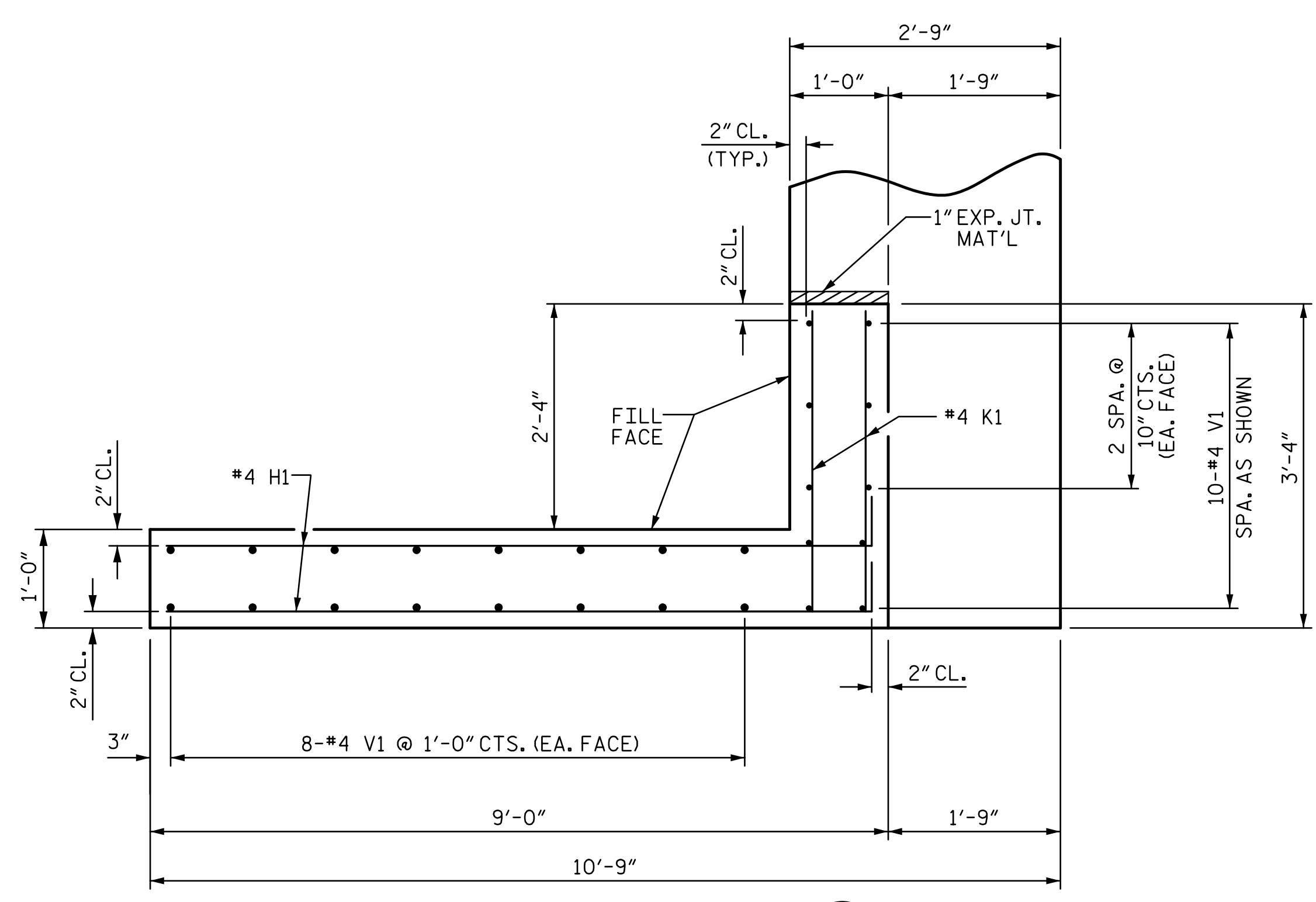


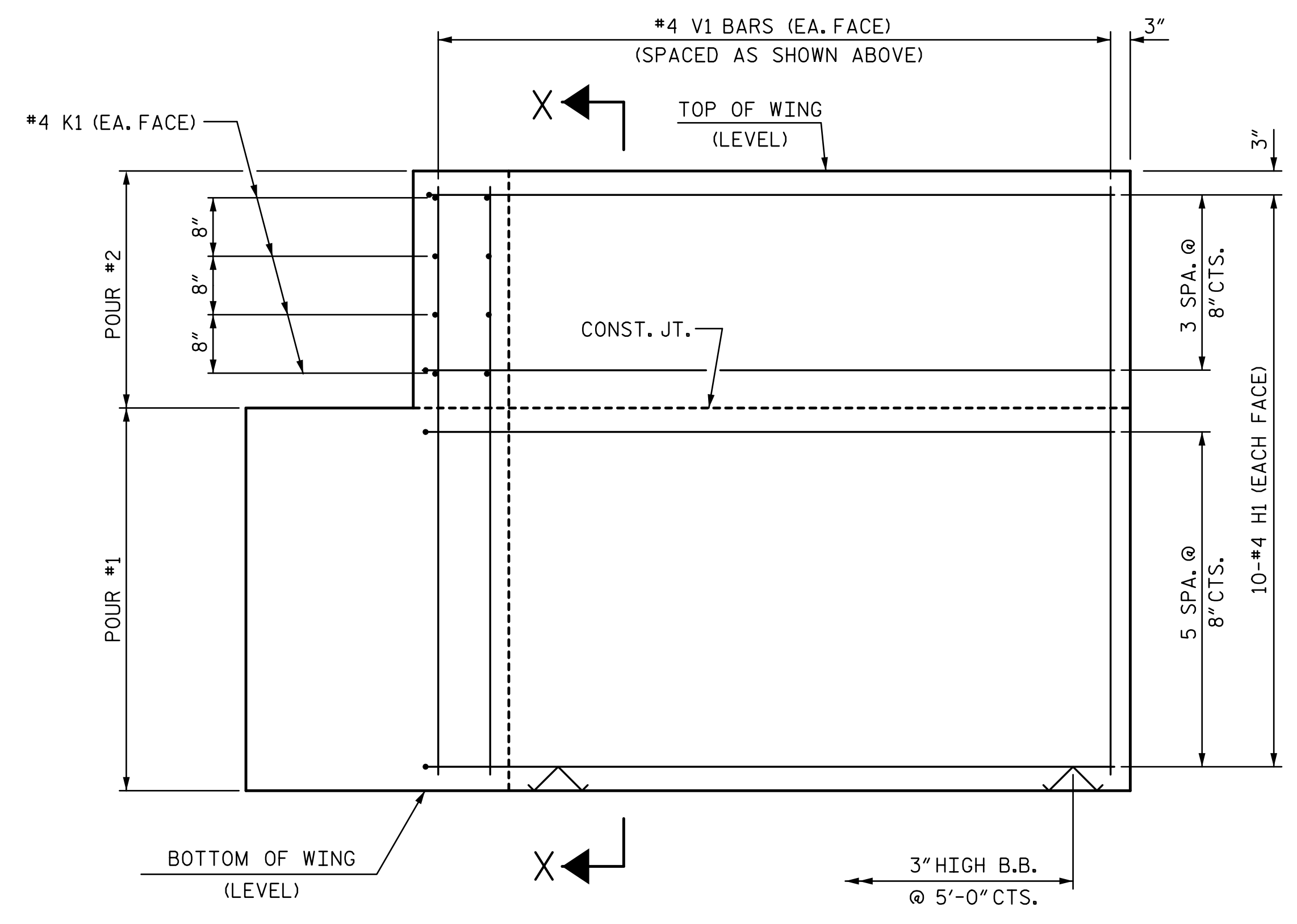
R:\Structures\ustation\Finals\40L_035_BR-0126_SML_E3_018_960667.dgn 10/16/24 AM 5/14/2020 Jones



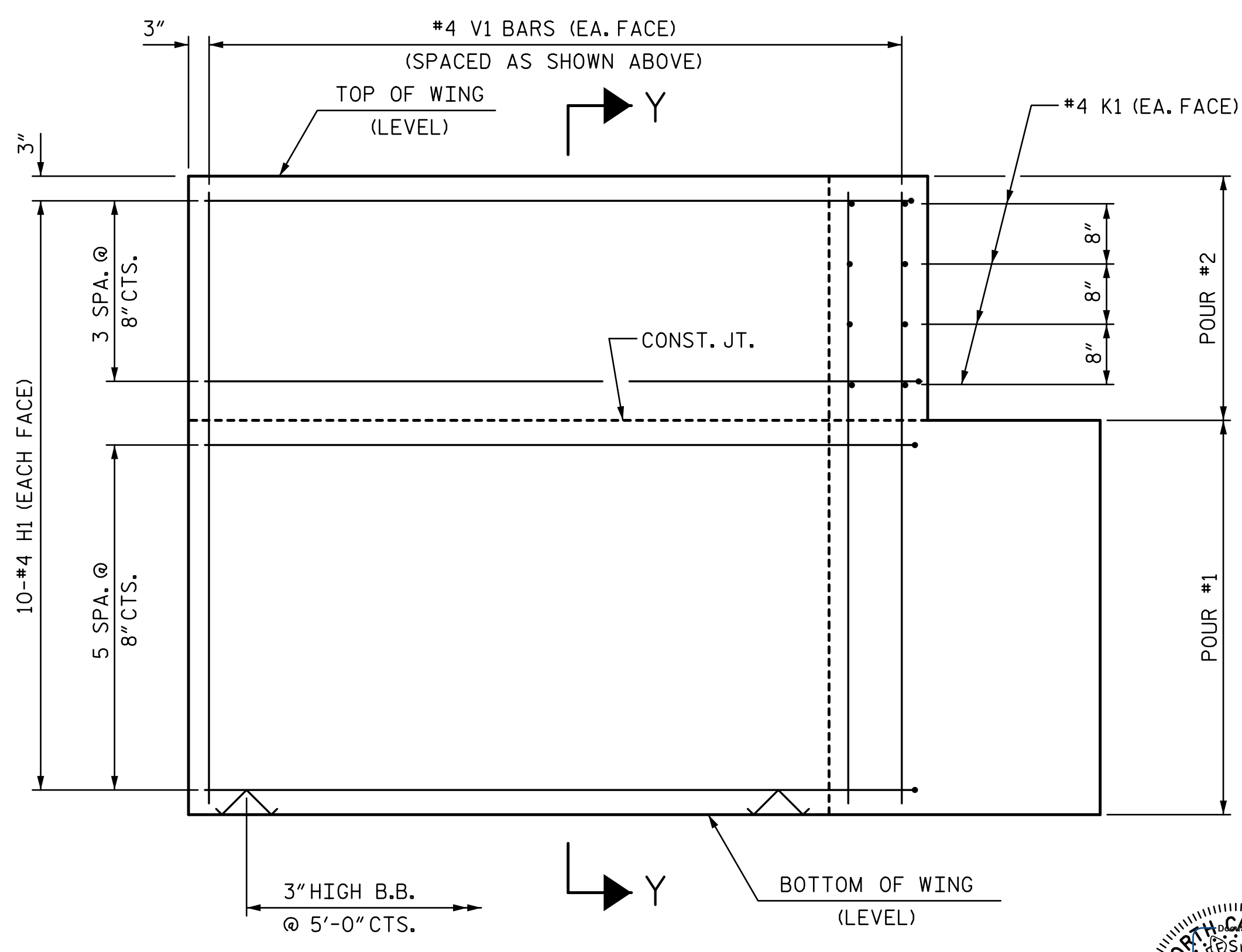
PLAN OF WING (W1)



PLAN OF WING (W2)

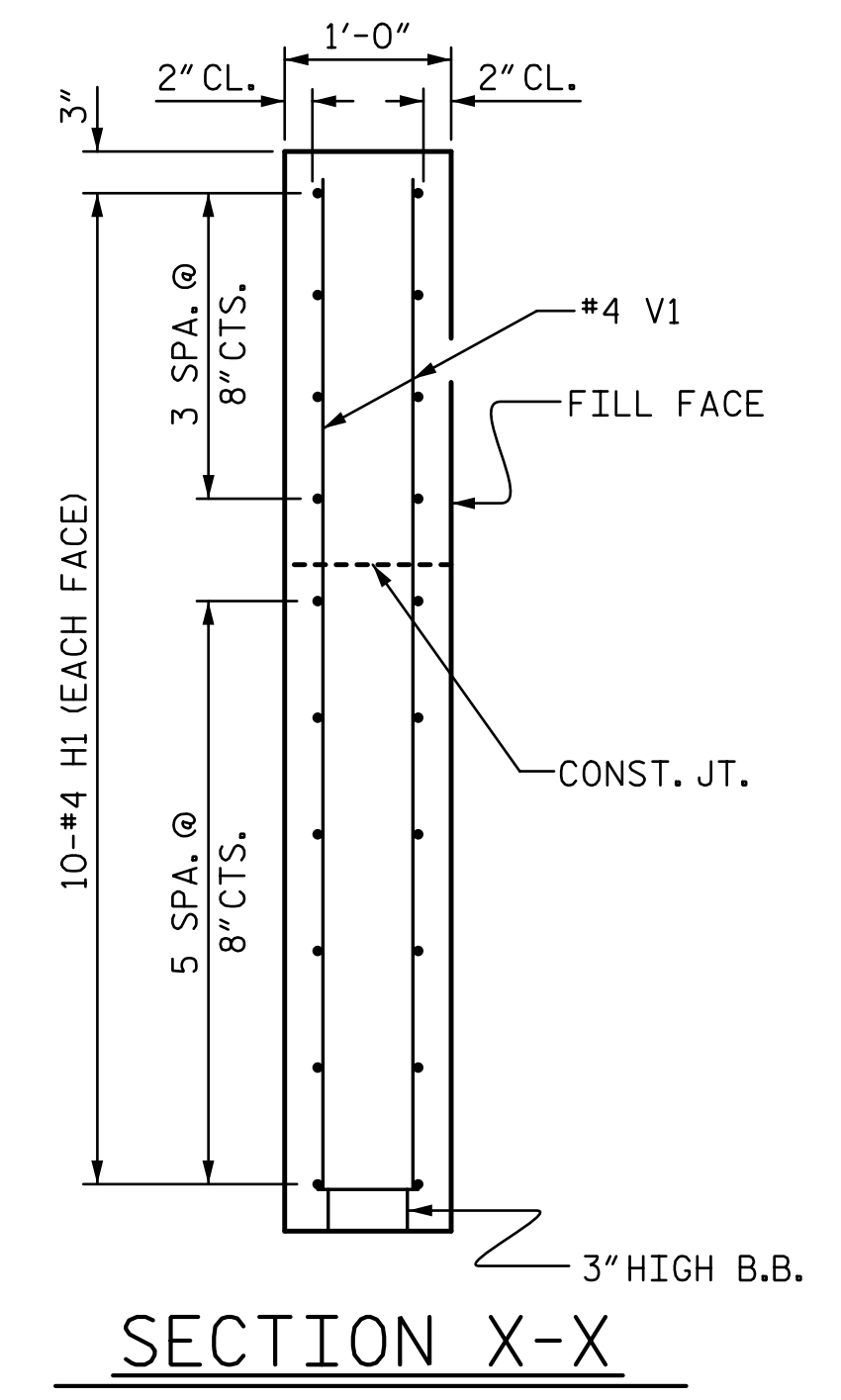


ELEVATION OF WING (W1)

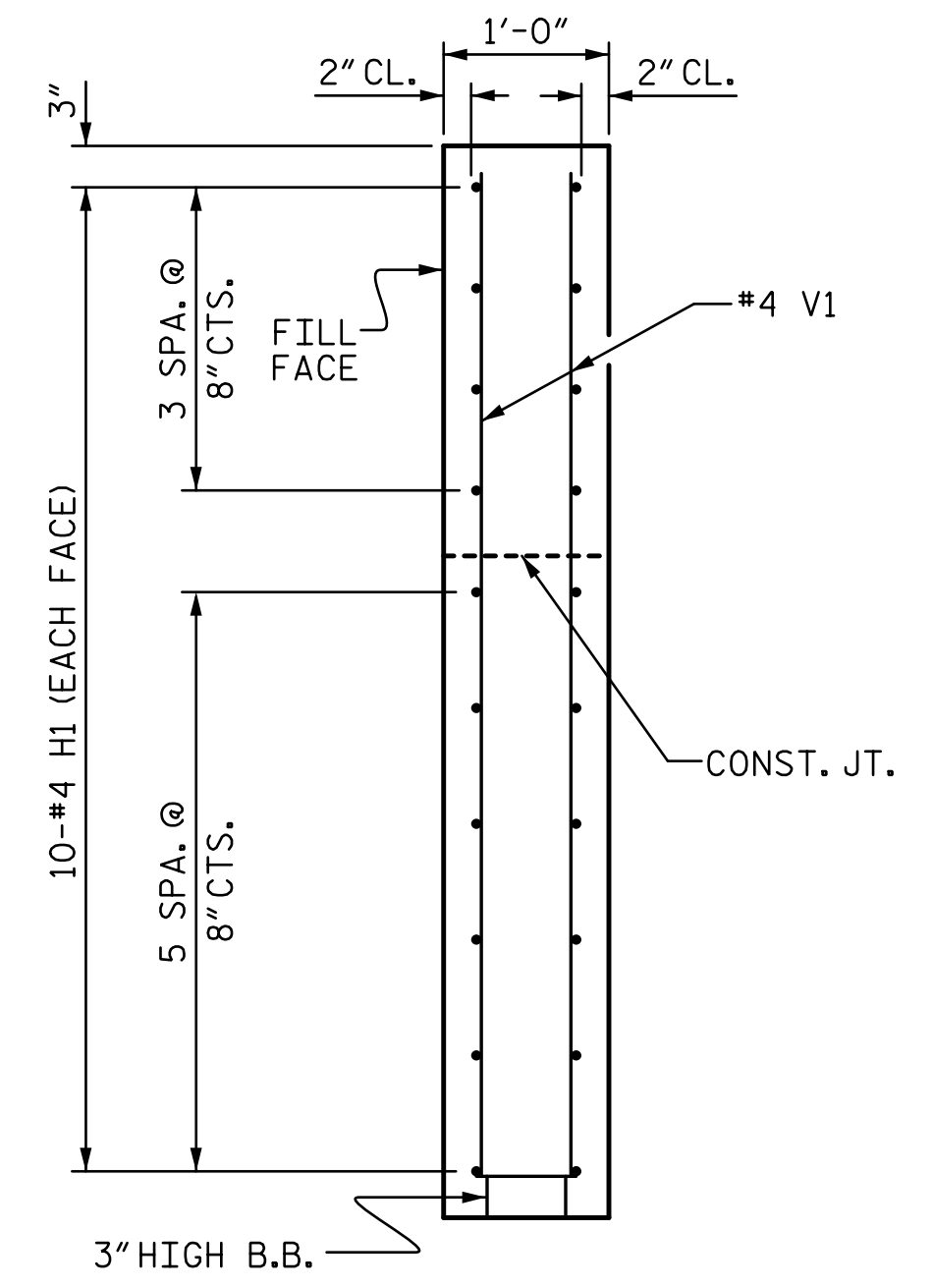


ELEVATION OF WING (W2)

WING DETAILS



SECTION X-X

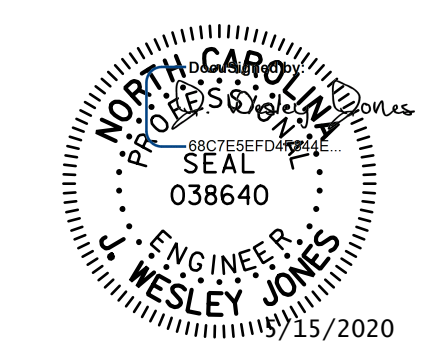


SECTION Y-Y

PROJECT NO. BR-0126
WILKES COUNTY
 STATION: 16+62.00 -L-
 SHEET 3 OF 4

STATE OF NORTH CAROLINA
 DEPARTMENT OF TRANSPORTATION
 RALEIGH

SUBSTRUCTURE
 END BENT
 WING DETAILS



STV ENGINEERS, INC.
 900 West Trade St., Suite 715
 Charlotte, NC 28202
 NC License Number F-0991

DOCUMENT NOT CONSIDERED
 FINAL UNLESS ALL
 SIGNATURES COMPLETED

DRAWN BY : LAH	DATE : 11-19
CHECKED BY : JWJ	DATE : 3-20
DESIGN ENGINEER OF RECORD : JWJ	DATE : 5-20
DRAWN BY : WJH 12/11	REV. 4/15
CHECKED BY : AAC 12/11	MAA/TMG

REVISIONS					SHEET NO.
NO.	BY:	DATE:	NO.	BY:	DATE:
1			3		
2			4		

TOTAL SHEETS 23