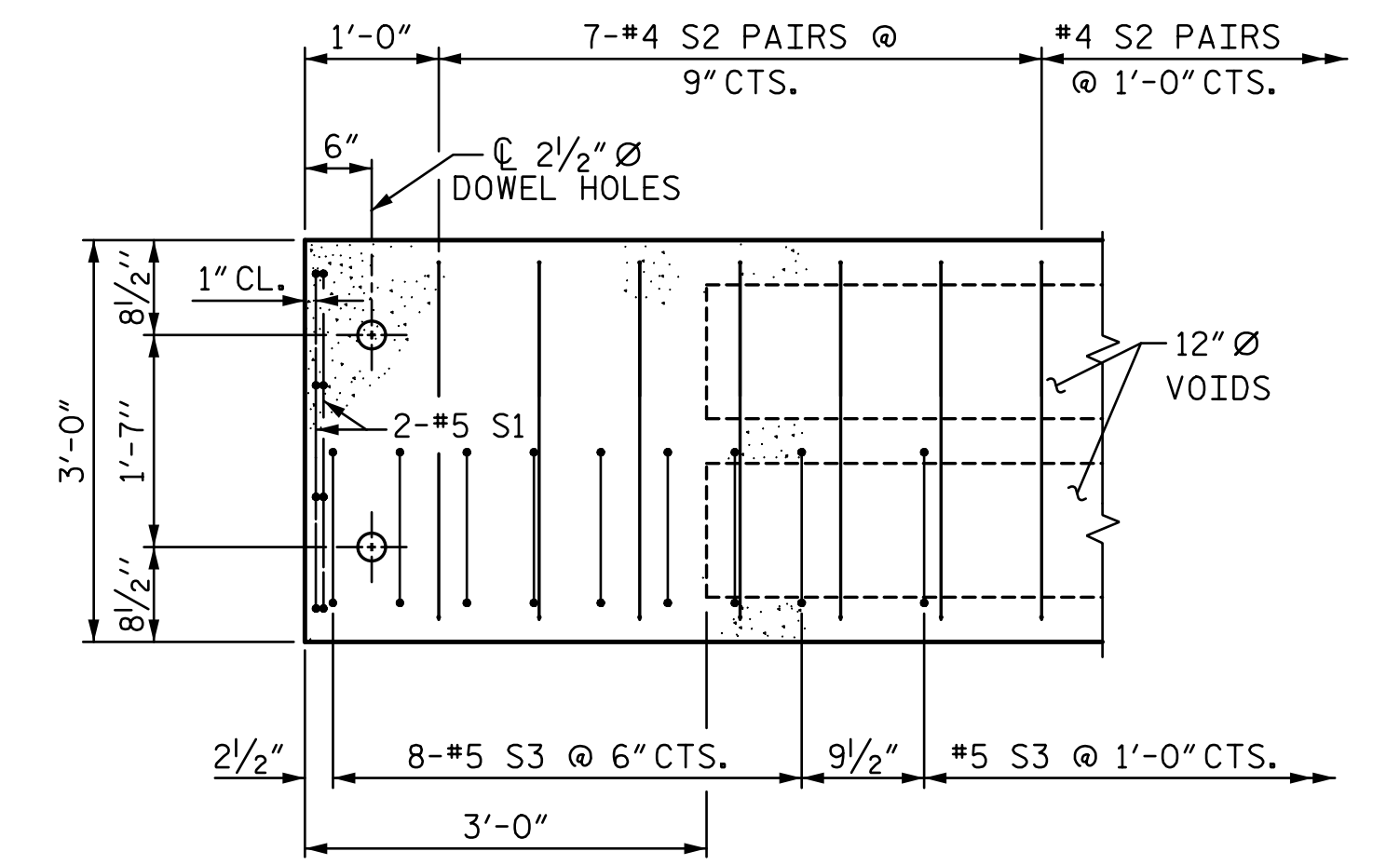
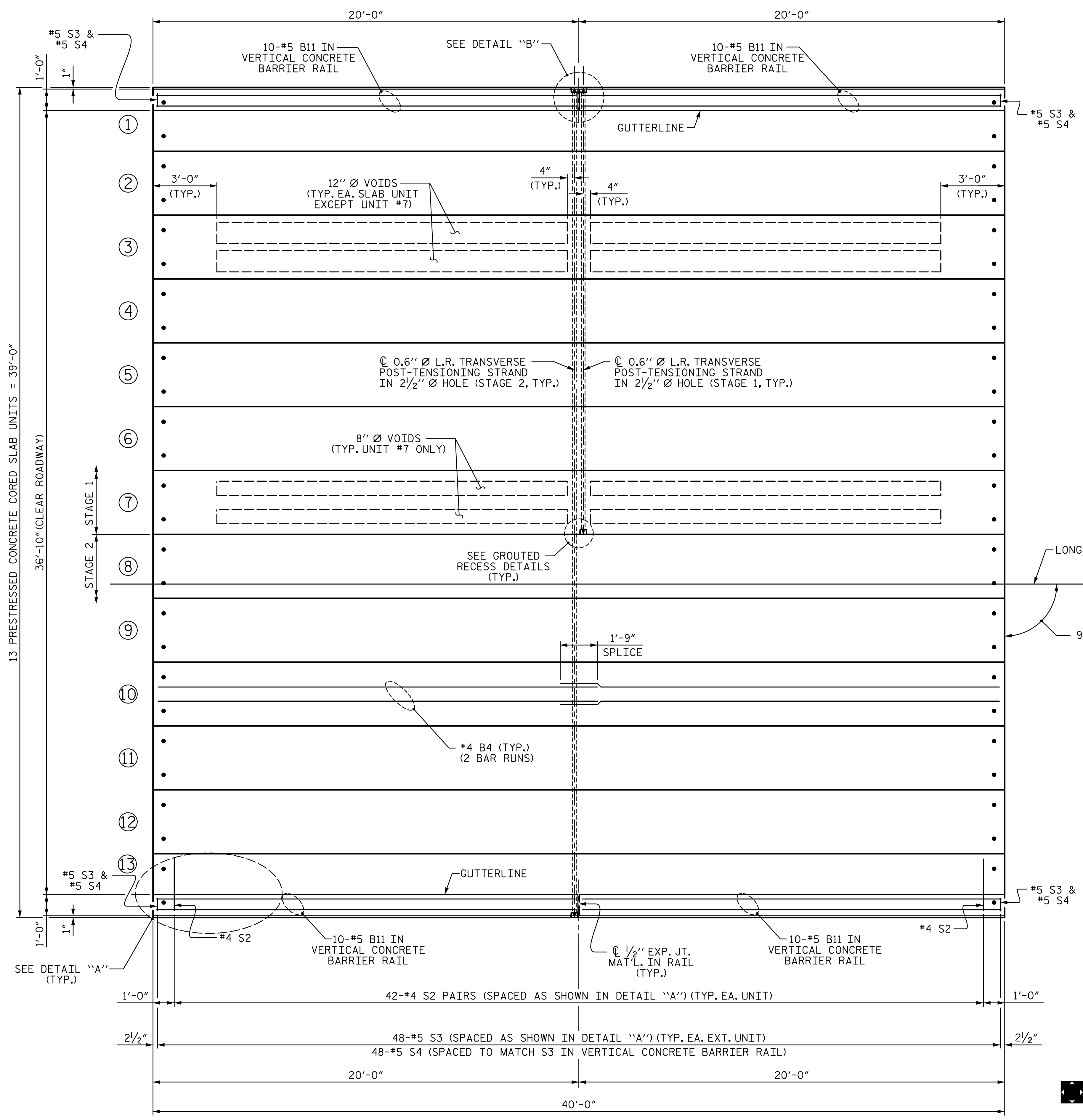
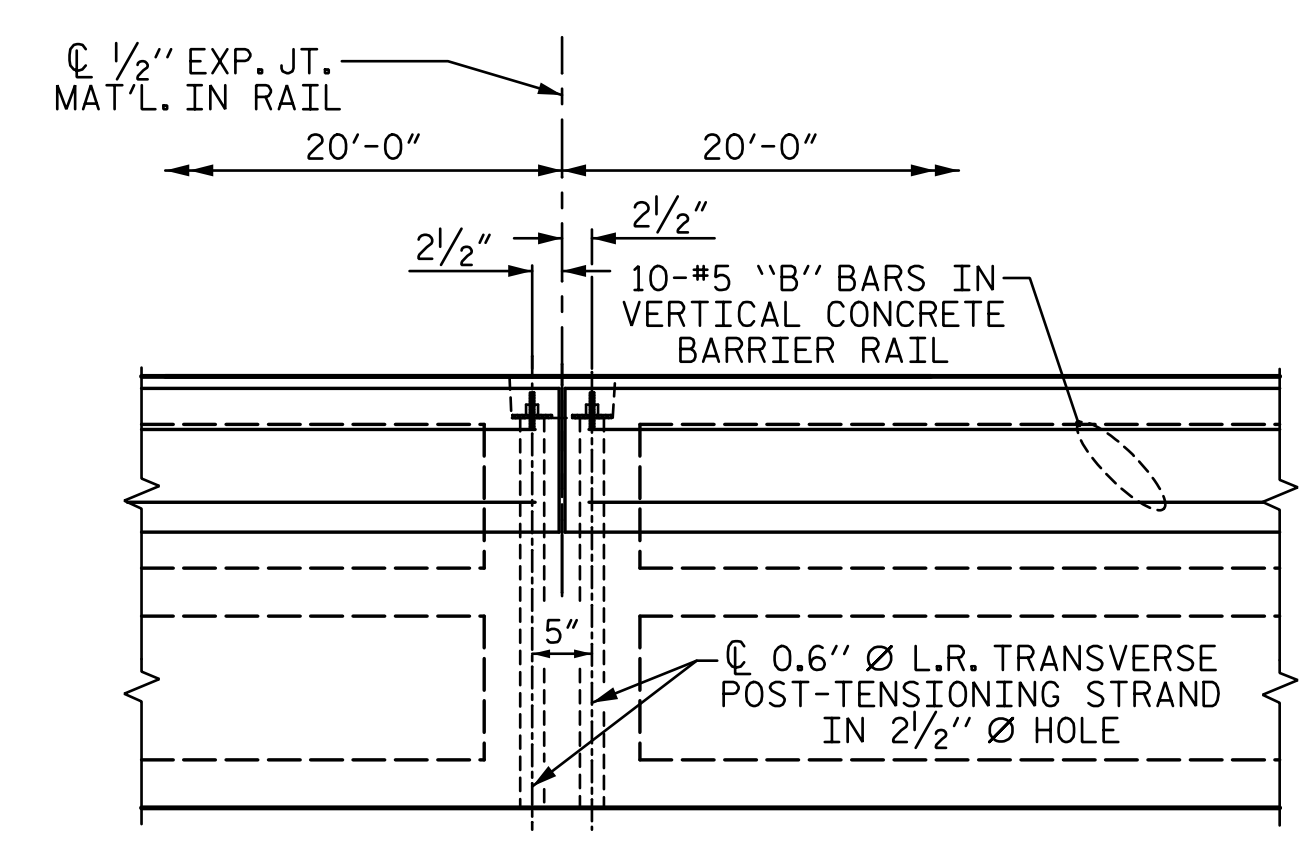


R:\Structures\ustation\Finals\40L_023_BR-0126_SMU_CS6_012_960667.dgn



DETAIL "A"
 (TYPICAL EACH END OF UNIT)
 NOTE: EXTERIOR UNIT SHOWN - INTERIOR UNIT SIMILAR EXCEPT OMIT #5 S3 BARS.



DETAIL "B"
 #4 S2 BARS MAY BE SHIFTED AS NECESSARY TO MAINTAIN 1" CLEAR TO GROUDED RECESS AND 2 1/2" TRANSVERSE POST-TENSIONING STRAND HOLES

PLAN OF UNIT

DRAWN BY : LEM DATE : 1-20
 CHECKED BY : JWJ DATE : 3-20
 DESIGN ENGINEER OF RECORD : JWJ DATE : 5-20

STV 100 YEARS
 STV ENGINEERS, INC.
 900 West Trade St., Suite 715
 Charlotte, NC 28202
 NC License Number F-0991

DOCUMENT NOT CONSIDERED
 FINAL UNLESS ALL
 SIGNATURES COMPLETED

PROJECT NO. **BR-0126**
WILKES COUNTY
 STATION: **16+62.00 -L-**
 SHEET 2 OF 4

STATE OF NORTH CAROLINA
 DEPARTMENT OF TRANSPORTATION
 RALEIGH
**PLAN OF 40' UNIT
 36'-10" CLEAR ROADWAY
 90° SKEW
 (SPAN B)**

REVISIONS				SHEET NO.	
NO.	BY:	DATE:	NO.	BY:	DATE:
1			3		
2			4		

TOTAL SHEETS: 23