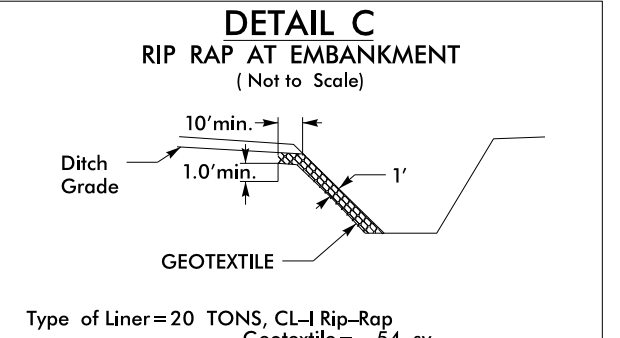
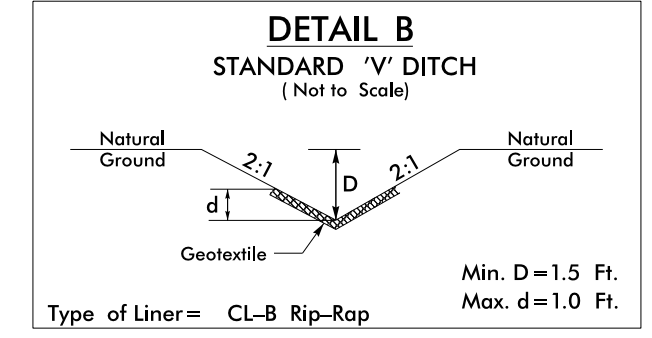
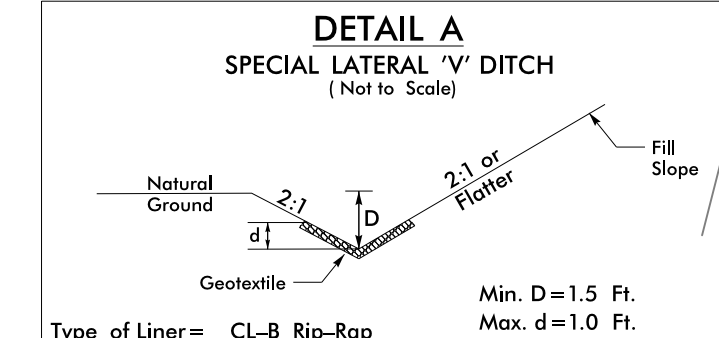


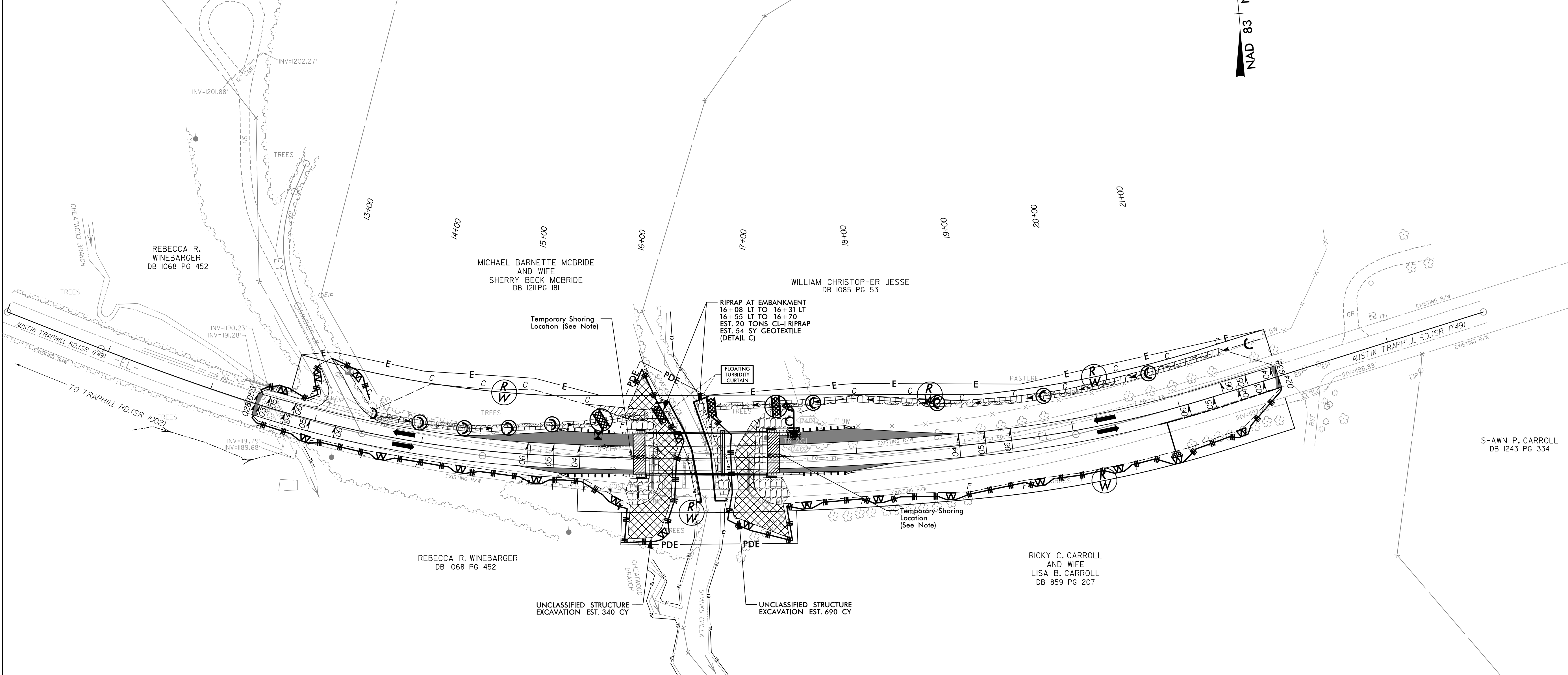
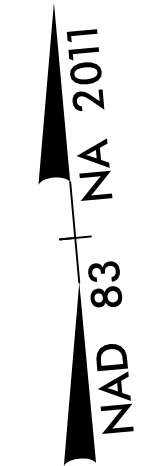
**FINAL PHASE  
EROSION CONTROL FOR  
CONSTRUCTION SHEET 4**



Type of Liner= CL-B Rip-Rap  
FROM STA. 13+50 LT TO STA. 15+85 LT  
FROM STA. 17+17 LT TO STA. 21+90 LT

Type of Liner= CL-B Rip-Rap  
FROM STA. 15+85 LT TO STA. 16+08 LT  
FROM STA. 16+70 LT TO STA. 17+17 LT

Type of Liner= 20 TONS, CL-1 Rip-Rap  
Geotextile= 54 sy  
FROM STA. 16+08 LT TO STA. 16+31 LT  
FROM STA. 16+55 LT TO STA. 16+70 LT



**NOTE:**  
FOR SLOPES EXCAVATED GREATER THAN 10 FEET  
INSTALL MATTING FOR EROSION CONTROL ON  
ENTIRE SLOPE AS WORK ALLOWS.

**NOTE:**  
UTILIZE SPECIAL STILLING BASIN(S) WHERE APPLICABLE

**NOTE:**  
PLACE TEMPORARY ROCK SEDIMENT DAMS TYPE - B  
AND TEMPORARY ROCK SILT CHECKS TYPE - A AT  
DRAINAGE OUTLETS.

**NOTE:**  
PERIMETER EROSION CONTROL MEASURES SHALL BE  
INSTALLED DURING CLEARING AND GRUBBING PHASE.

**NOTE:** PLACEMENT AND QUANTITY OF EROSION CONTROL  
DEVICES SHOWN ON THESE PLANS MAY BE MODIFIED  
AS NEEDED IN ORDER TO MAINTAIN COMPLIANCE WITH  
ALL APPLICABLE REGULATIONS.

**NOTE:**  
PLACE MATTING FOR EROSION CONTROL AS WORK  
ALLOWS. STA. 17+50 TO STA. 21+50