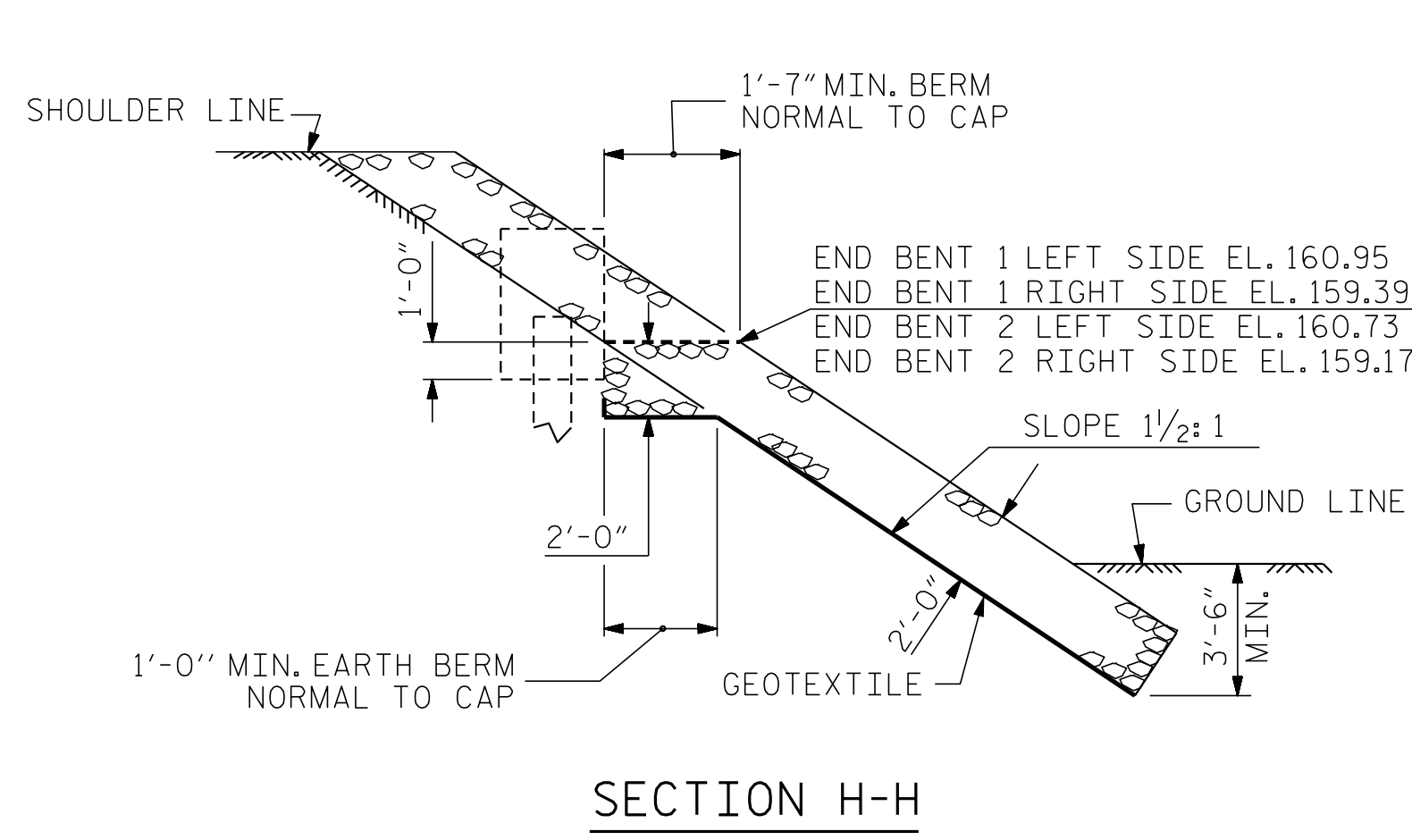
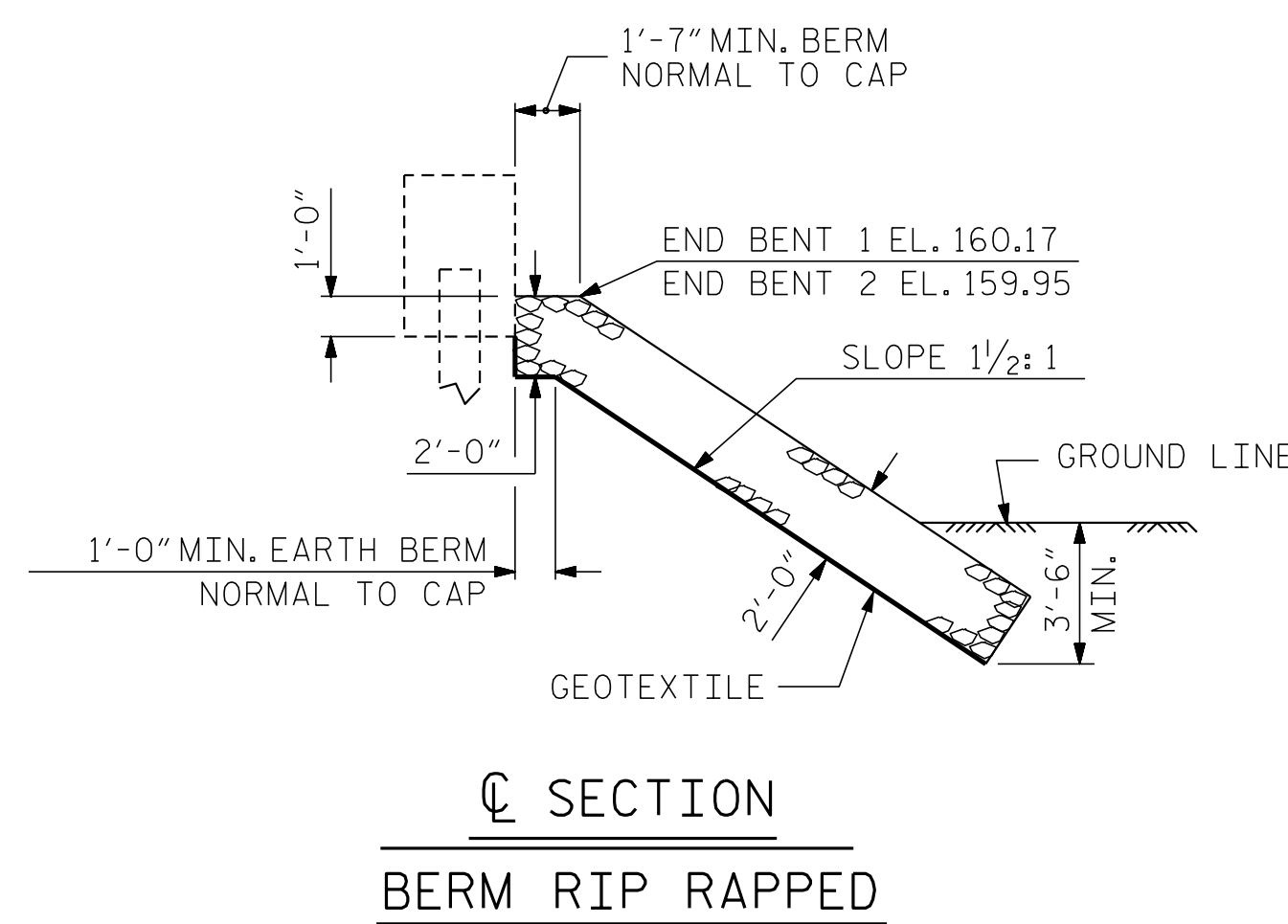


PLAN OF RIP RAP

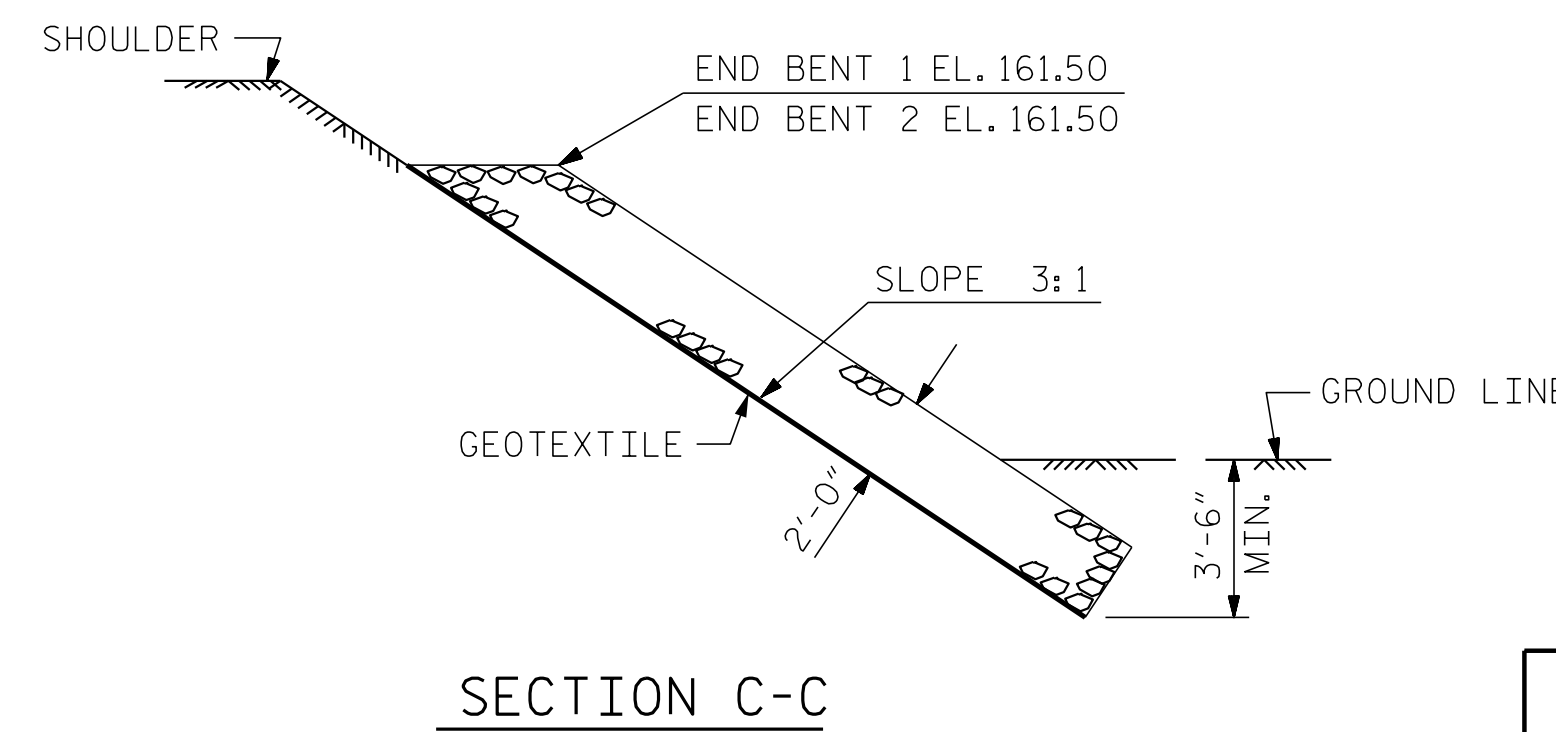
ESTIMATED QUANTITIES		
BRIDGE @ STA. 16+08.00	RIP RAP CLASS II (2'-0" THICK)	GEOTEXTILE FOR DRAINAGE
	TONS	SQUARE YARDS
END BENT 1	100	113
END BENT 2	75	82



SECTION H-H

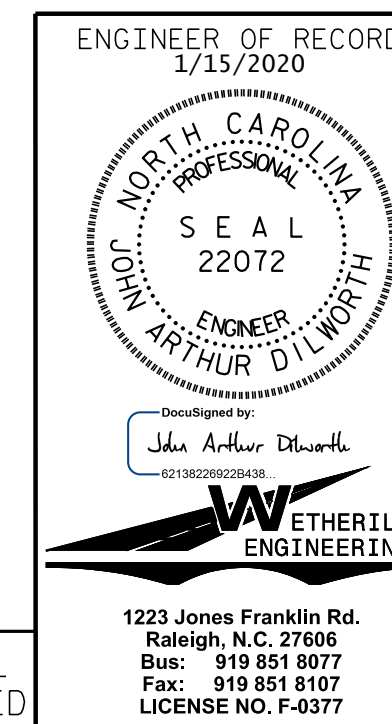


SECTION C-C



SECTION C-C

PROJECT NO. BR-0122  
SAMPSON COUNTY  
STATION: 16+08.00 -L-



REVISIONS						SHEET NO.
NO.	BY:	DATE:	NO.	BY:	DATE:	TOTAL SHEETS
1			3			13
2			4			13

DRAWN BY: A. KLINK DATE: 4-19  
CHECKED BY: J. DILWORTH DATE: 5-19

DOCUMENT NOT CONSIDERED FINAL  
UNLESS ALL SIGNATURES COMPLETED

P:\2019\19109\01\_BR-0122\_Structures\DWG\BR0122\_SMU\_RR.dgn  
 10/7/2019 2:00:09 PM