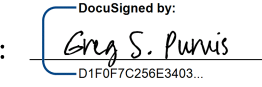

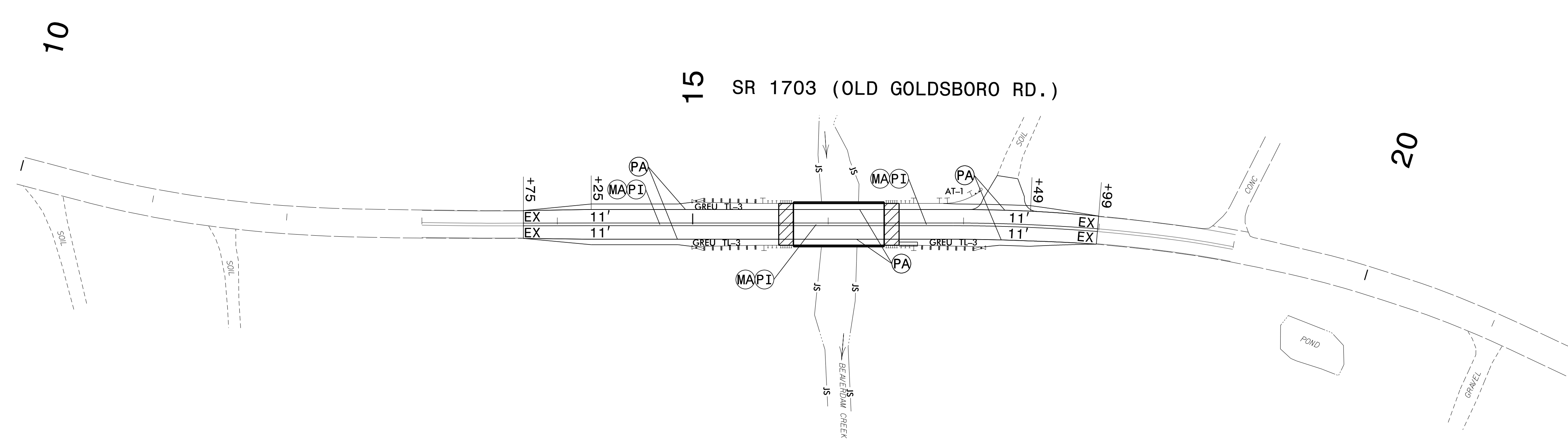
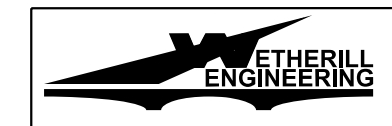


TIP NO. BR-0122	SHEET NO. PMP-02
APPROVED:  <small>DESIGNED BY: Greg S. Purvis</small>	
DATE: 10/11/2019	
SEAL 	
DOCUMENT NOT CONSIDERED FINAL UNLESS ALL SIGNATURES COMPLETED	

BRIDGE #810348



10/11/2019
P:\2019\19109_01_BR-0122\Traffic\Signing and Delineation\Pavement Markings\Sheets\BR-0122_PMP_02_DTL.dgn
User:AHayes



1223 Jones Franklin Rd.
Raleigh, N.C. 27605
License No. F-0377
Bus: 919 851 8077
Fax: 919 851 8107

TRANSPORTATION PLANNING/DESIGN - BRIDGE/STRUCTURE DESIGN
CIVIL/SITE DESIGN - GIS/GPS - CONSTRUCTION OBSERVATION

PAVEMENT MARKING DETAIL