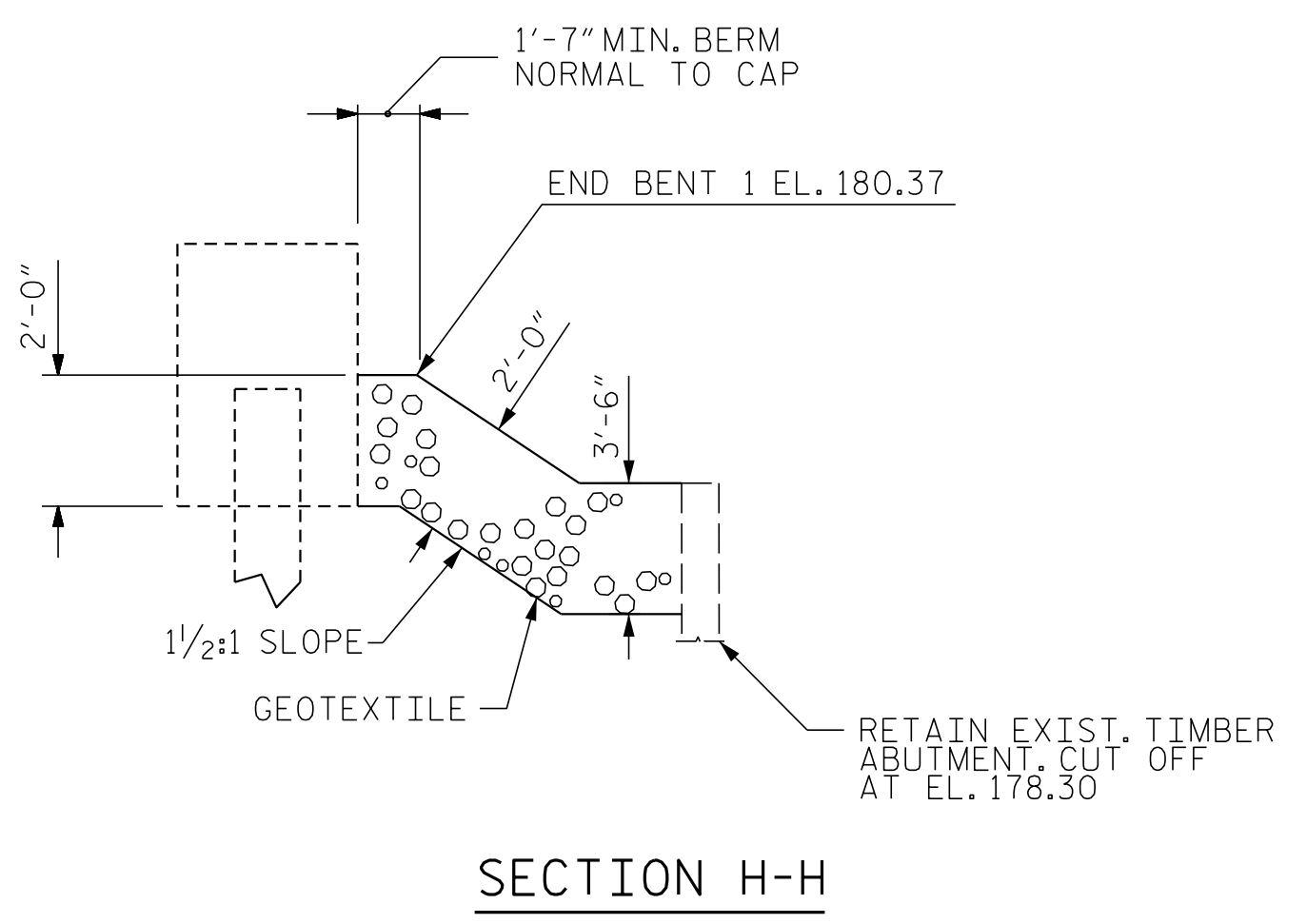
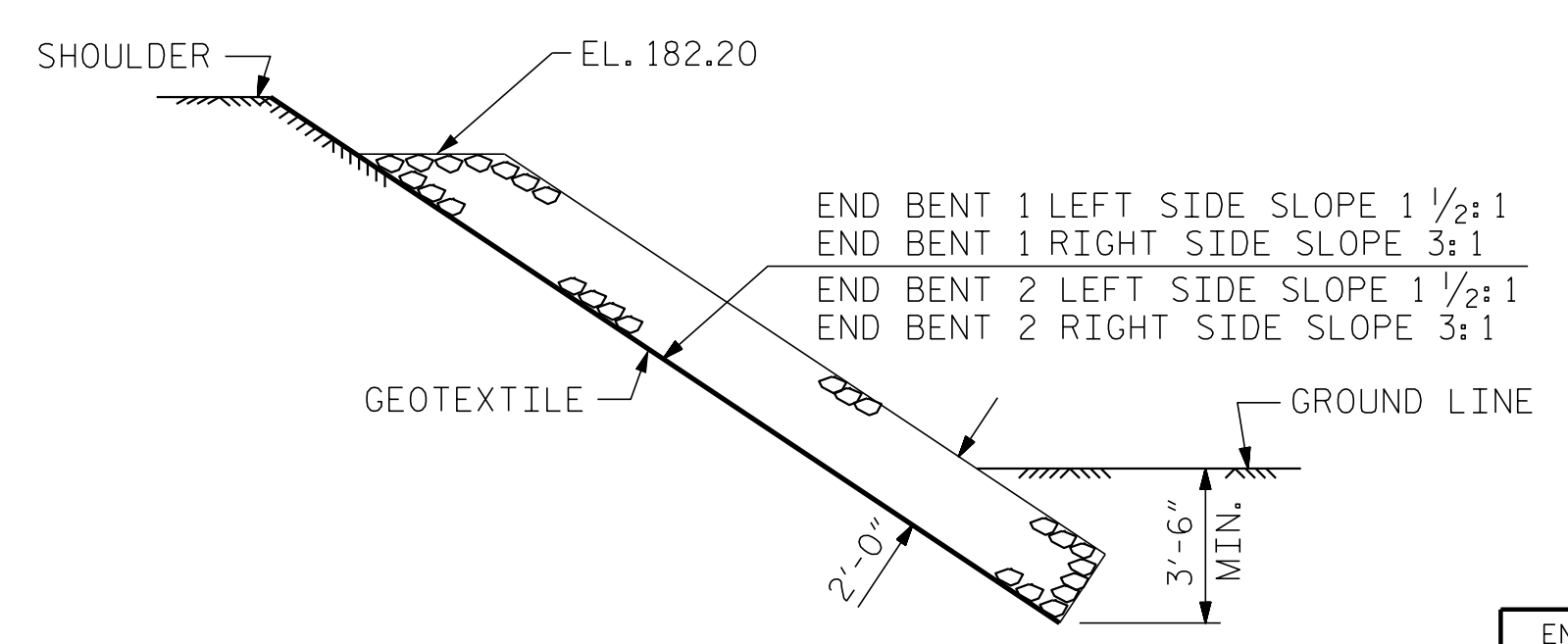


PLAN OF RIP RAP

ESTIMATED QUANTITIES		
BRIDGE @ STA. 16+10.00 -L-	RIP RAP CLASS II (2'-0" THICK)	GEOTEXTILE FOR DRAINAGE
	TONS	SQUARE YARDS
END BENT 1	120	100
END BENT 2	115	95



SECTION H-H



SECTION C-C

PROJECT NO. BR-0113  
HALIFAX COUNTY  
 STATION: 16+10.00 -L-

ENGINEER OF RECORD  
4/29/2020

DocuSigned by:  
John Arthur Dillworth  
021362202009416

**WETHERILL ENGINEERING**

1223 Jones Franklin Rd.  
Raleigh, N.C. 27606  
Bus: 919 851 8077  
Fax: 919 851 8107  
LICENSE NO. F-0377

STATE OF NORTH CAROLINA  
 DEPARTMENT OF TRANSPORTATION  
 RALEIGH

STANDARD  
 RIP RAP DETAILS

REVISIONS					
NO.	BY:	DATE:	NO.	BY:	DATE:
1			3		
2			4		

SHEET NO.  
S-17

TOTAL SHEETS  
18

DRAWN BY : A. KLINK DATE : 5-19  
 CHECKED BY : J. DILWORTH DATE : 8-19

DOCUMENT NOT CONSIDERED FINAL  
 UNLESS ALL SIGNATURES COMPLETED

P:\2019\19106.01 BR-0113\Structures\00\NB\0113\_SMU\_RR.dgn  
 10/28/2019 10:09:31 AM