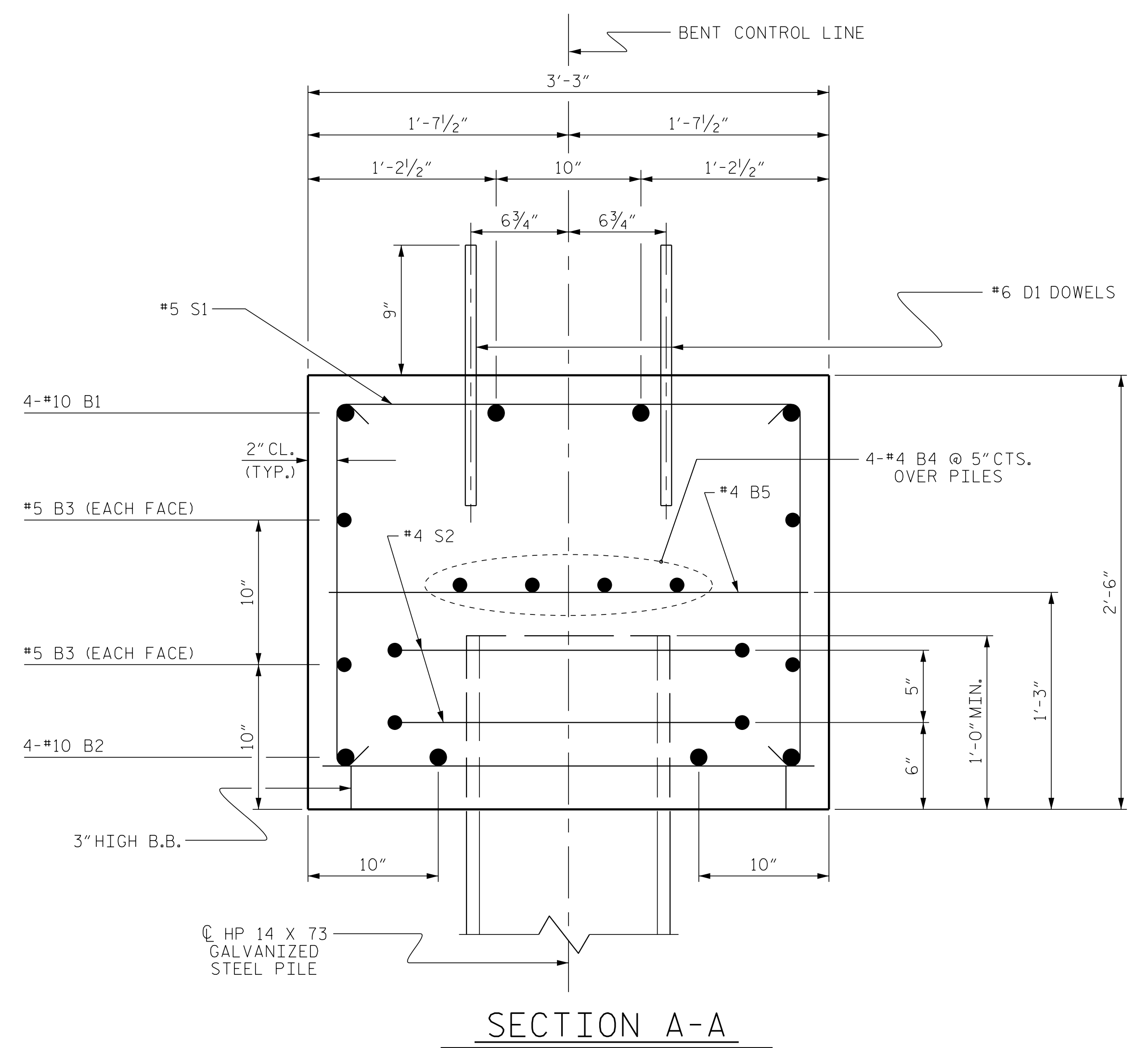
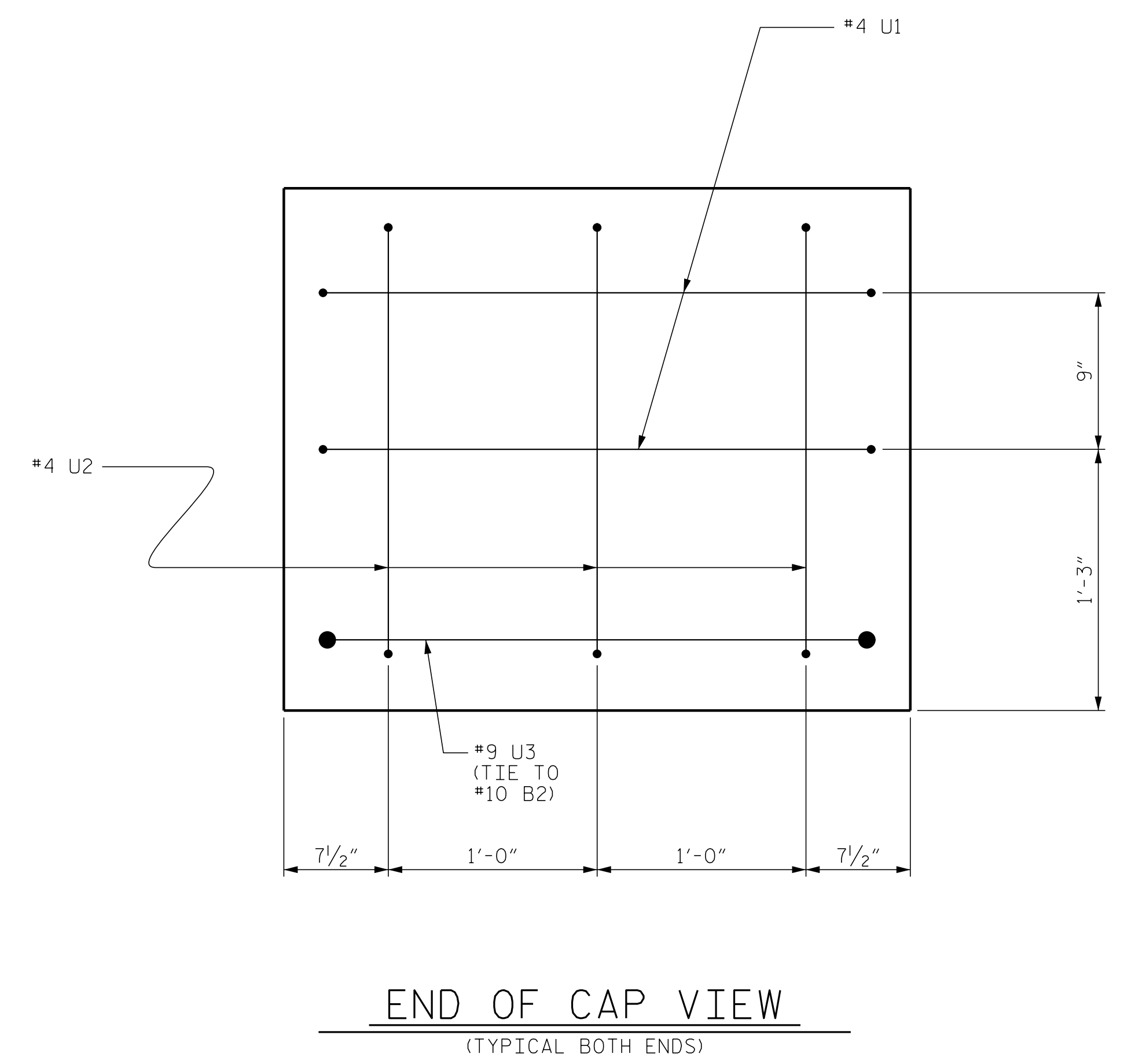
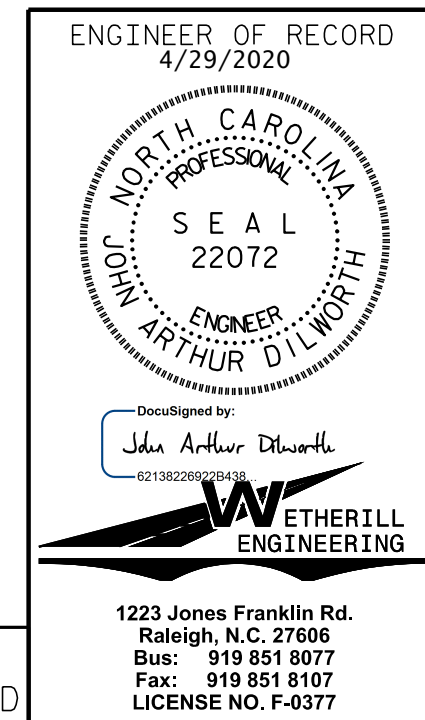


BILL OF MATERIAL FOR ONE BENT					
BAR	NO.	SIZE	TYPE	LENGTH	WEIGHT
B1	4	#10	1	37'-10"	651
B2	4	#10	STR	35'-2"	605
B3	4	#5	STR	35'-2"	147
B4	8	#4	STR	18'-10"	101
B5	9	#4	STR	2'-11"	18
D1	44	#6	STR	1'-6"	99
S1	39	#5	2	8'-1"	329
S2	16	#4	3	7'-7"	81
U1	4	#4	4	5'-10"	16
U2	6	#4	4	5'-0"	20
U3	2	#9	4	10'-1"	69
REINFORCING STEEL (FOR ONE BENT)					2136 LBS
CLASS A CONCRETE BREAKDOWN (FOR ONE BENT)					
TOTAL CLASS A CONCRETE					10.7 C.Y.
HP 14 X 73 GALVANIZED STEEL PILES (FOR ONE BENT)					
No. 8					LIN. FT. 520
PILE DRIVING EQUIPMENT SETUP FOR HP 14 X 73 GALVANIZED STEEL PILES (FOR ONE BENT)					NO: 8
PILE REDRIVES					NO: 4



PROJECT NO. BR-0113
HALIFAX COUNTY
 STATION: 16+10.00 -L-
 SHEET 2 OF 2



REVISIONS						SHEET NO.
NO.	BY:	DATE:	NO.	BY:	DATE:	S-16
1			3			TOTAL SHEETS 18
2			4			

P:\2019\19106.01 BR-0113\Structures\DWG\BR0113_SMU_BT.dgn
 10/22/2019 9:01:26 AM

ASSEMBLED BY : J. PENDERGRAFT DATE : 3-19
 CHECKED BY : J. DILWORTH DATE : 8-19
 DRAWN BY : DGE 05/10 REV. 6/17 MAA/THC
 CHECKED BY : MKT 05/10

DOCUMENT NOT CONSIDERED FINAL
 UNLESS ALL SIGNATURES COMPLETED