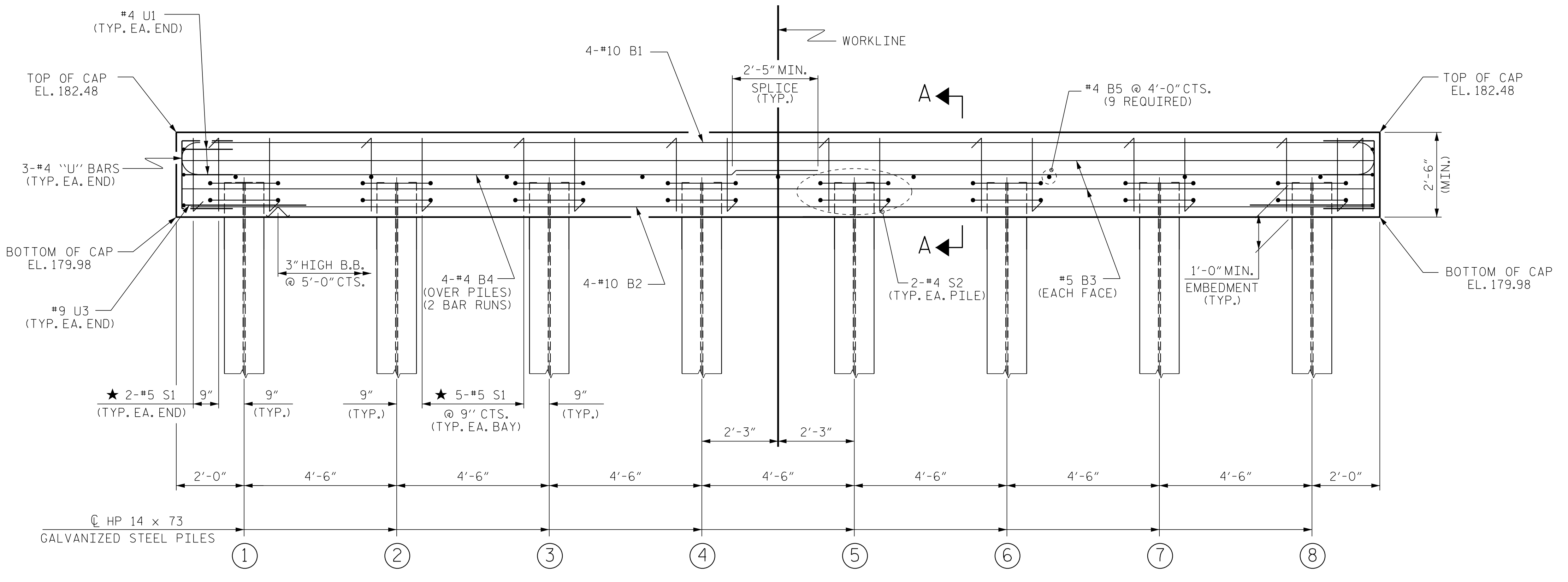
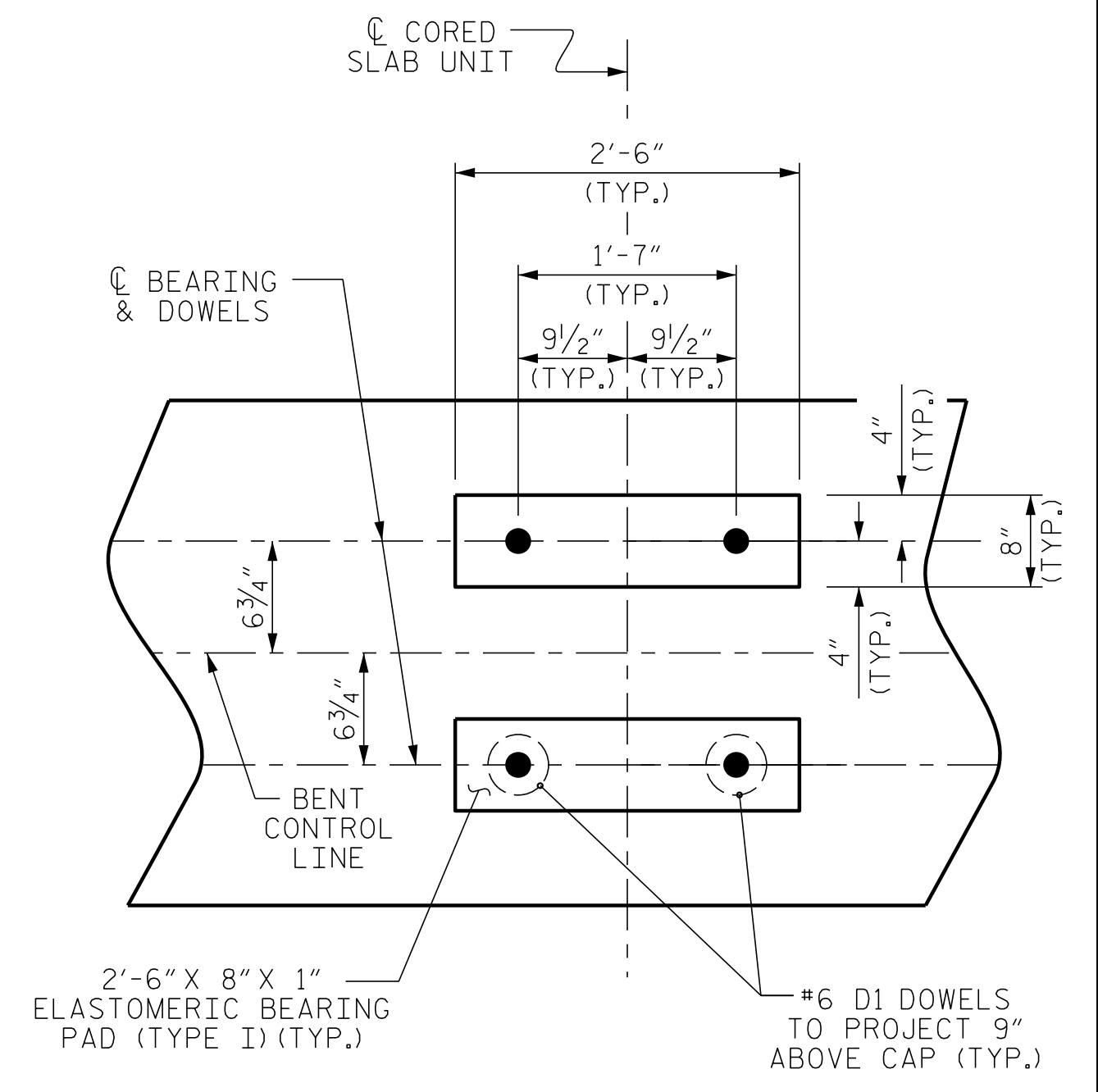
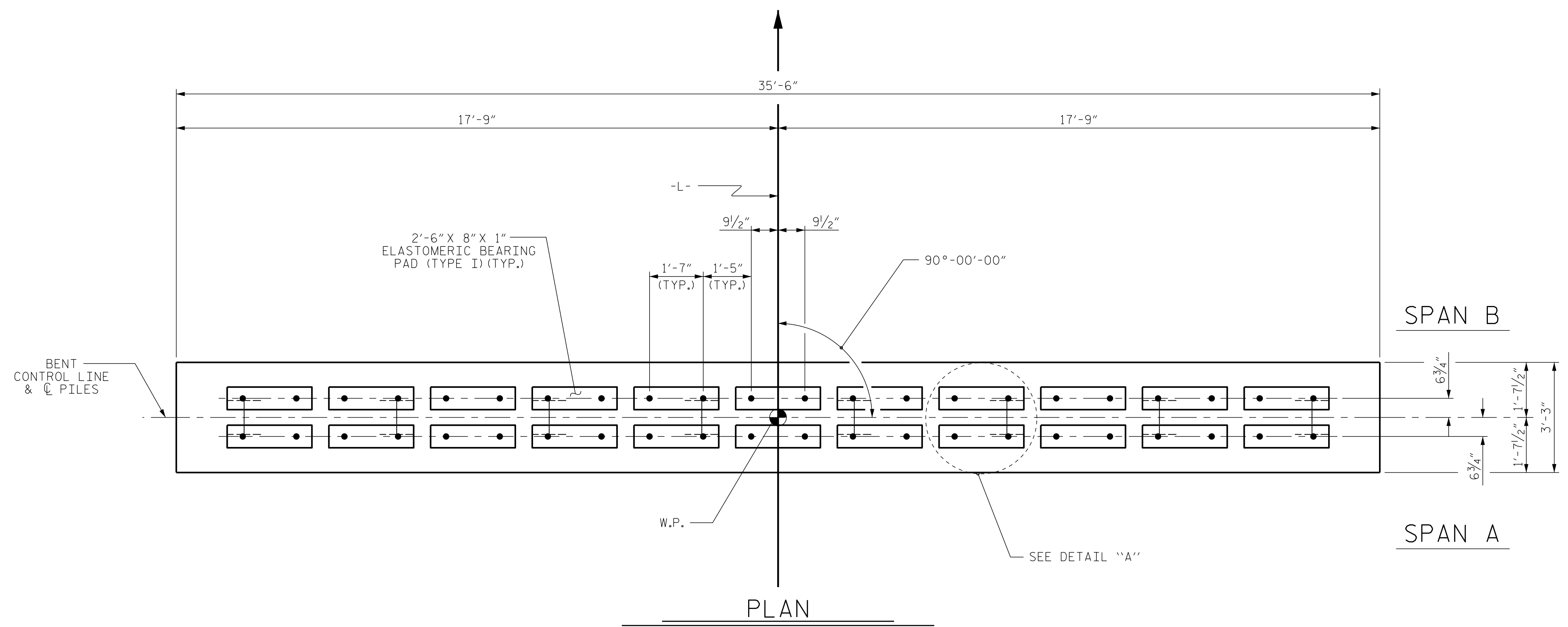
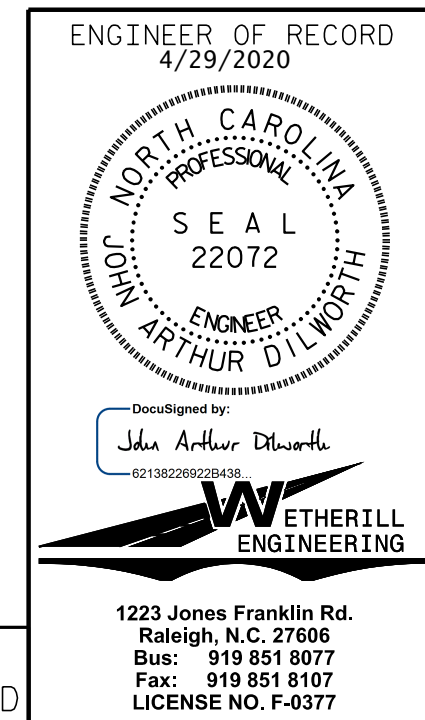


NOTES

- STIRRUPS IN CAP MAY BE SHIFTED AS NECESSARY TO CLEAR DOWELS.
- ★ INVERT ALTERNATE STIRRUPS.
- GALVANIZE THE TOP OF EACH INTERIOR BENT PILE A MINIMUM OF 28 FEET. GALVANIZE IN ACCORDANCE WITH SECTION 1076 OF THE STANDARD SPECIFICATIONS.



PROJECT NO. BR-0113
HALIFAX COUNTY
 STATION: 16+10.00 -L-
 SHEET 1 OF 2



STATE OF NORTH CAROLINA DEPARTMENT OF TRANSPORTATION RALEIGH					
SUBSTRUCTURE BENT No. 1					
REVISIONS					
NO.	BY:	DATE:	NO.	BY:	DATE:
1			3		
2			4		
SHEET NO. S-15					TOTAL SHEETS 18

DOCUMENT NOT CONSIDERED FINAL
 UNLESS ALL SIGNATURES COMPLETED

P:\2019\19106.01 BR-0113\Structures\DM\BR0113_SMU_BT.dgn
 10/2/2019 8:59:07 AM

ASSEMBLED BY : J. PENDERGRAFT	DATE : 3-19
CHECKED BY : J. DILWORTH	DATE : 8-19
DRAWN BY : DGE	05/10
CHECKED BY : MKT	05/10
REV. 6/17	MAA/THC