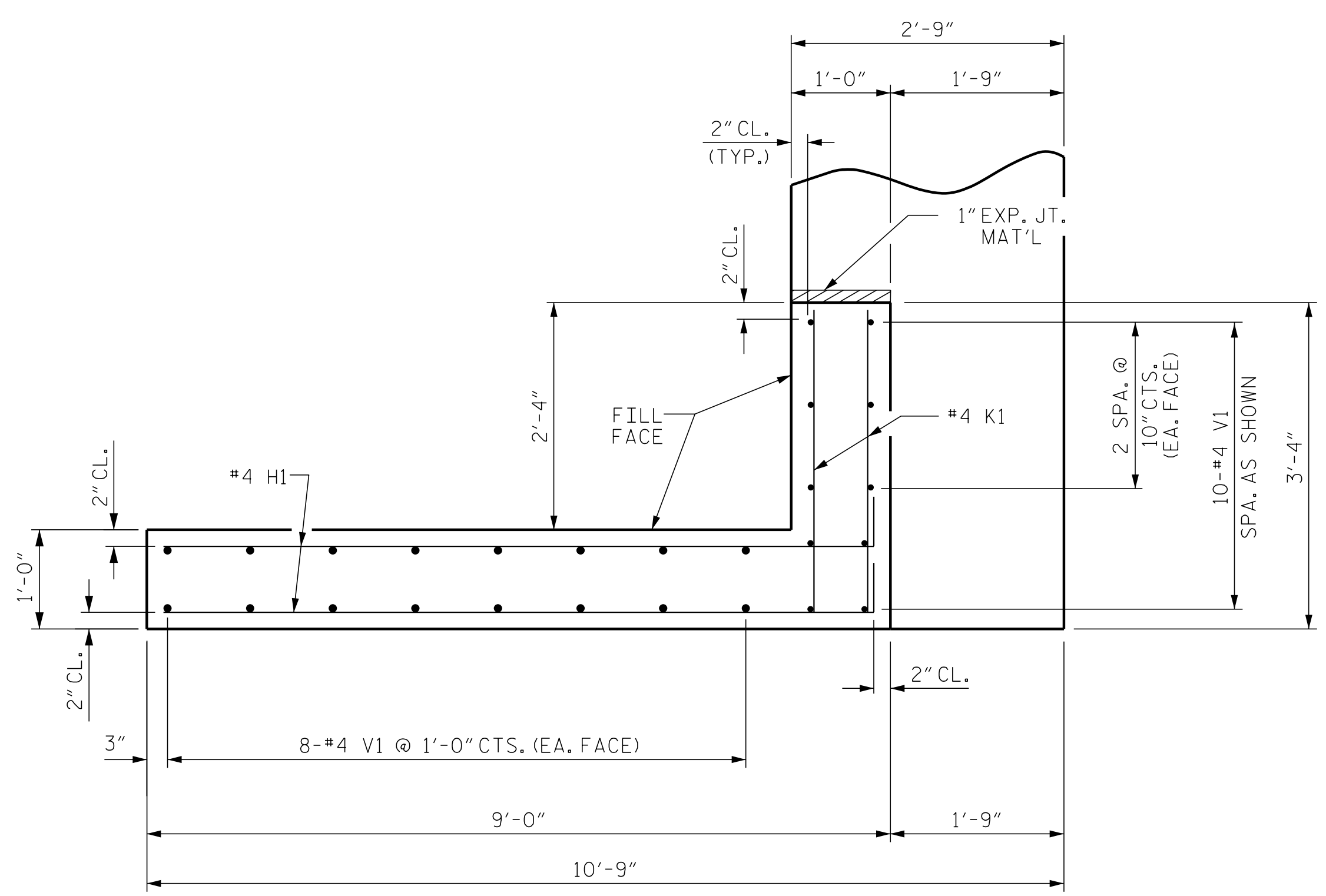
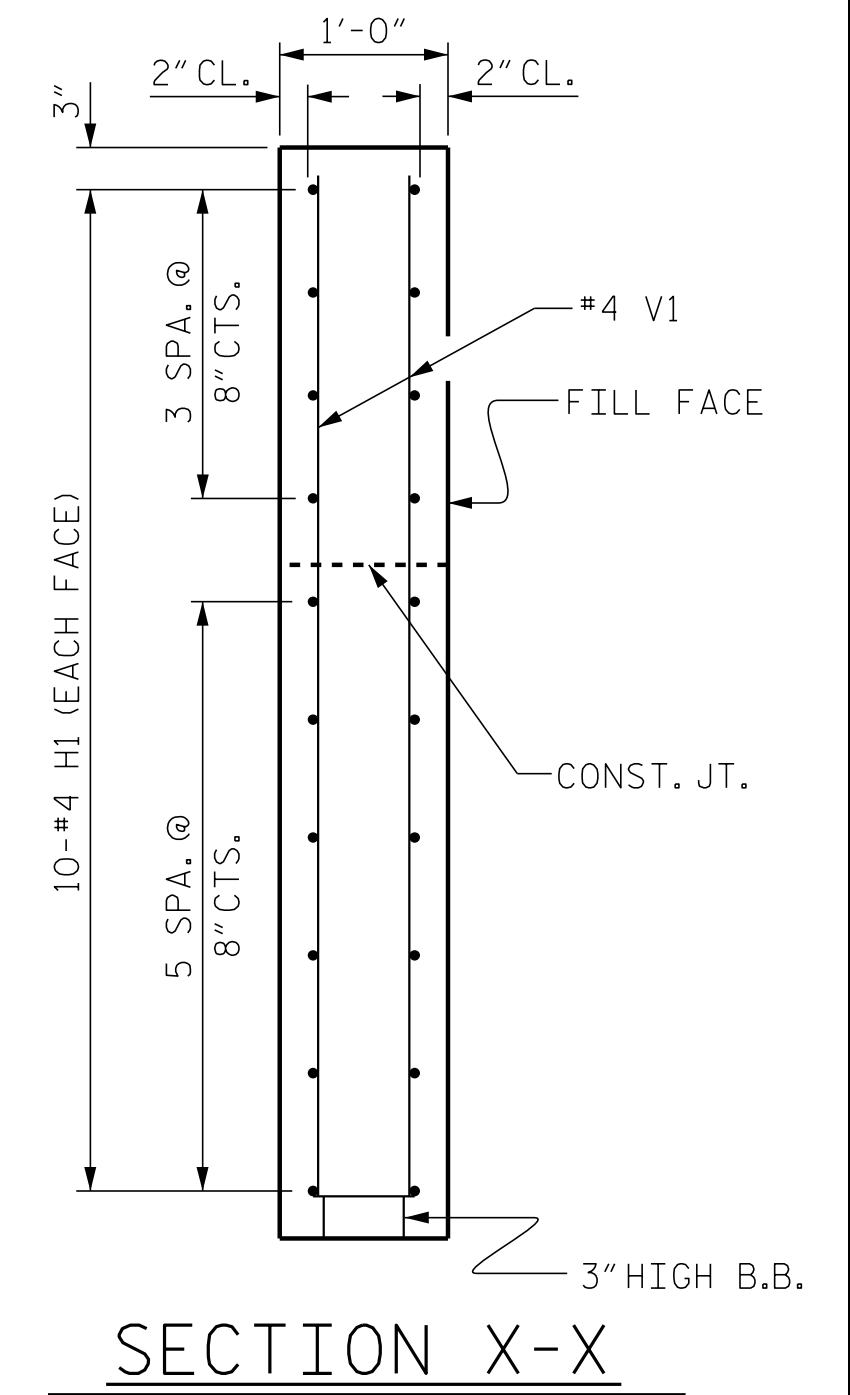


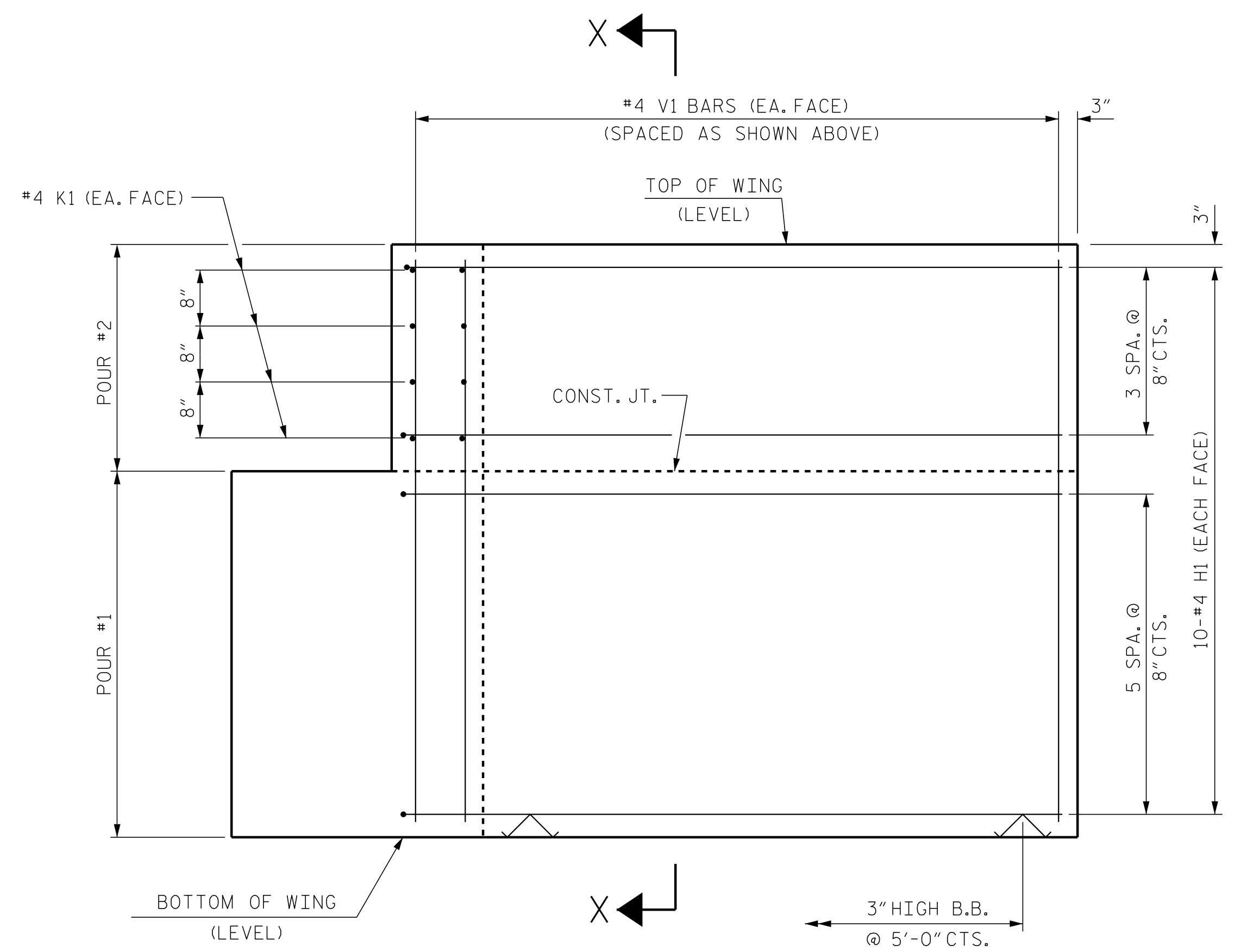
PLAN OF WING (W1)



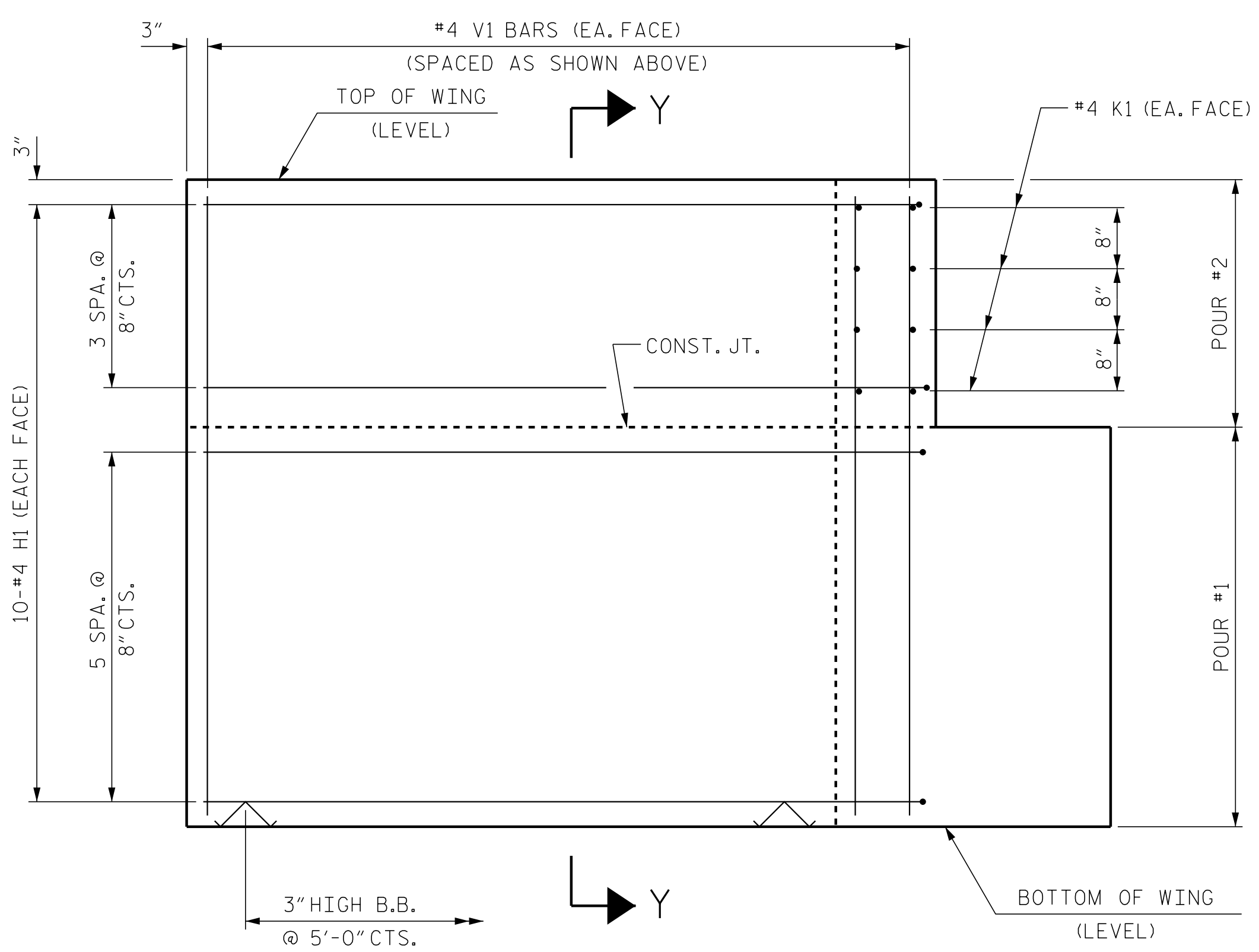
PLAN OF WING (W2)



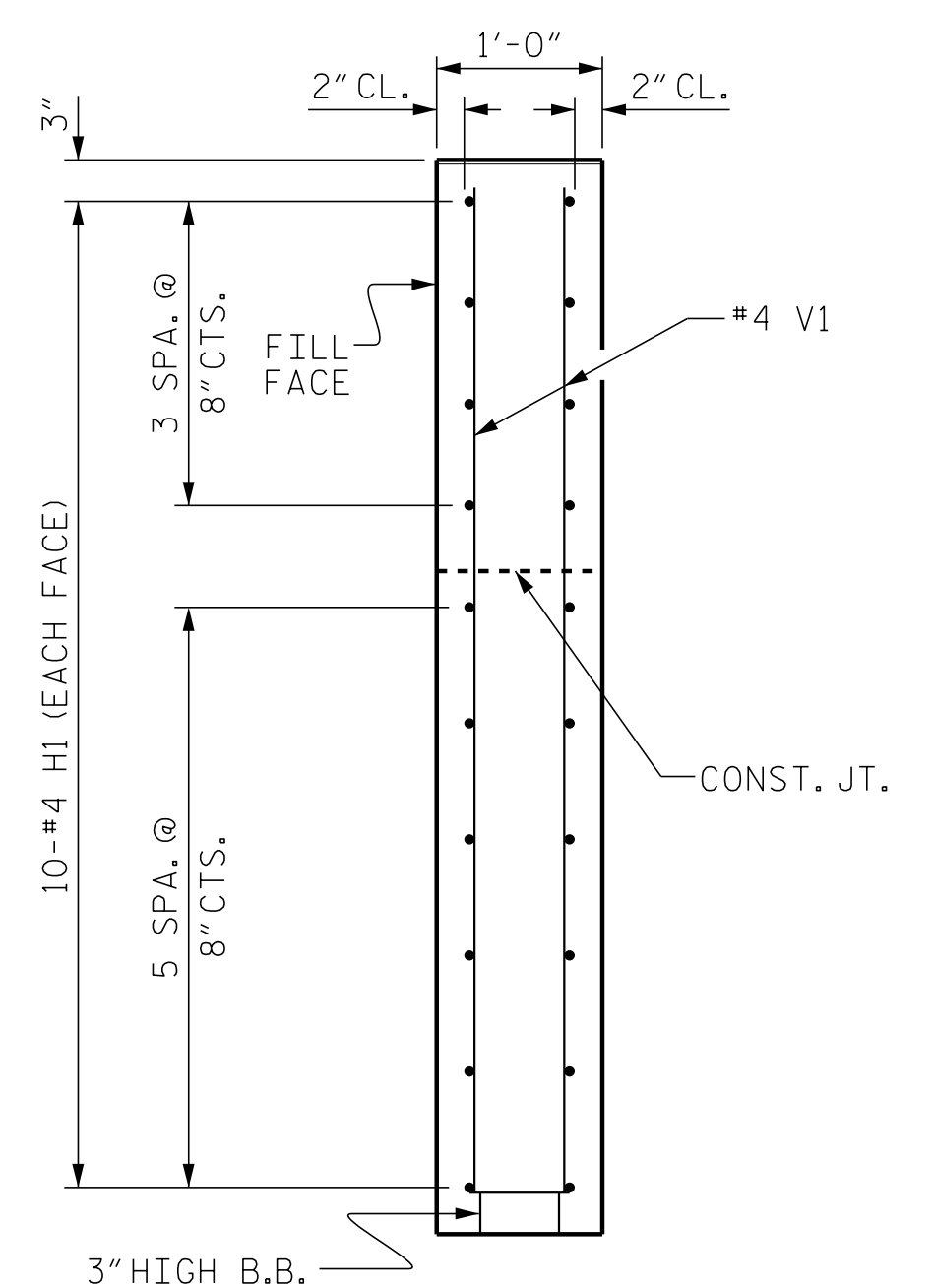
SECTION X-X



ELEVATION OF WING (W1)

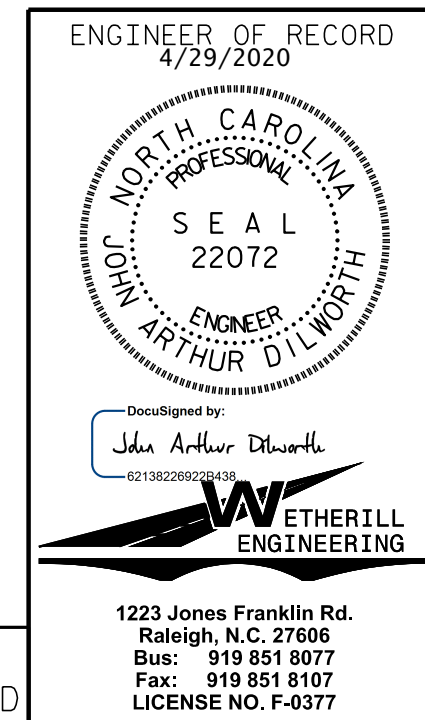


ELEVATION OF WING (W2)



SECTION Y-Y

PROJECT NO. BR-0113  
 HALIFAX COUNTY  
 STATION: 16+10.00 -L-  
 SHEET 3 OF 4



STATE OF NORTH CAROLINA DEPARTMENT OF TRANSPORTATION RALEIGH	
SUBSTRUCTURE END BENT WING DETAILS	
REVISIONS	
NO.	BY: DATE:
1	
2	
SHEET NO. S-13 TOTAL SHEETS 18	

WING DETAILS

ASSEMBLED BY : J. PENDERGRAFT	DATE : 3-19
CHECKED BY : J. DILWORTH	DATE : 8-19
DRAWN BY : WJH	12/11
CHECKED BY : AAC	12/11
REV. 4/15	MAA/TMG

DOCUMENT NOT CONSIDERED FINAL  
 UNLESS ALL SIGNATURES COMPLETED

1223 Jones Franklin Rd.  
 Raleigh, N.C. 27606  
 Bus: 919 851 8077  
 Fax: 919 851 8107  
 LICENSE NO. F-0377

P:\2019\19106\01 BR-0113\Structures\03\NBRO113\_SMU\_EBT.dgn  
 10/2/2019 9:31:28 AM