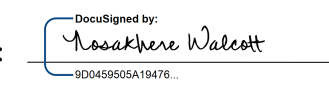
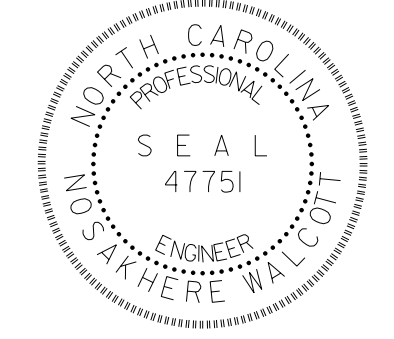
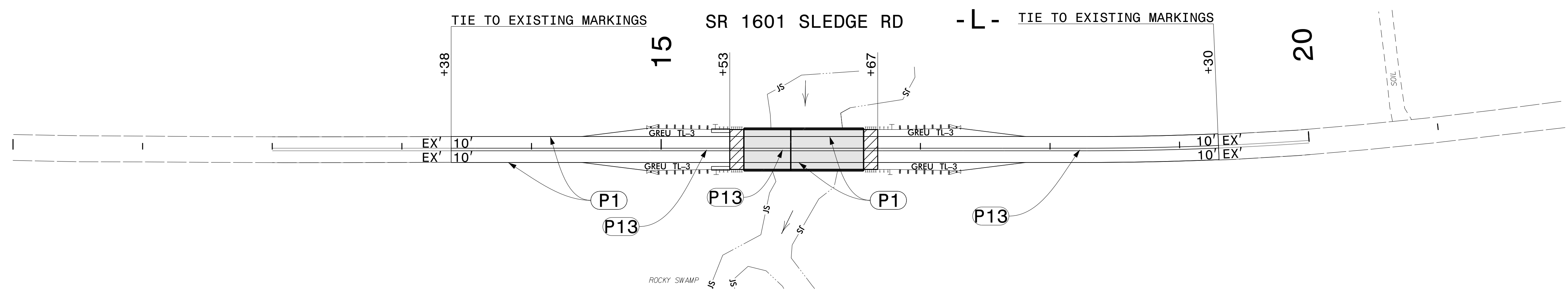
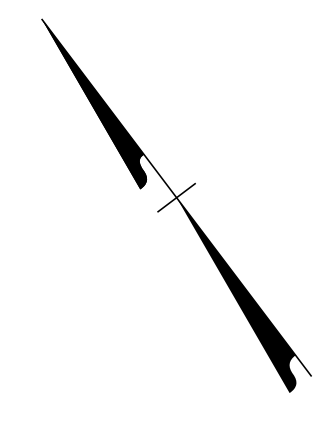


BRIDGE #410115

TIP NO. BR-0113	SHEET NO. PMP-02
APPROVED: 	
DATE: 2/3/2020	
SEAL	
	
DOCUMENT NOT CONSIDERED FINAL UNLESS ALL SIGNATURES COMPLETED	



I:\30\2020
P:\2019\9106.01_BR-0113_Traffic_Signing and Delineation\Pavement Markings\Sheets\BR-0113_PMP_02.dgn
User:AHayes

PAVEMENT MARKING DETAIL