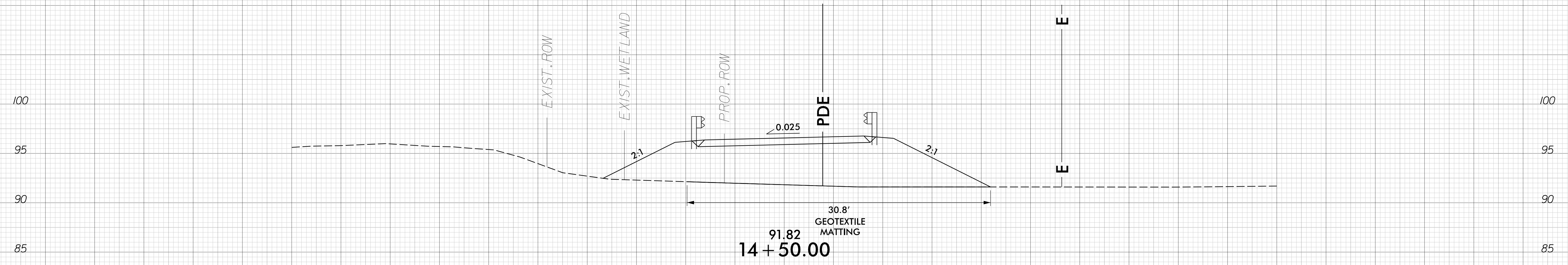


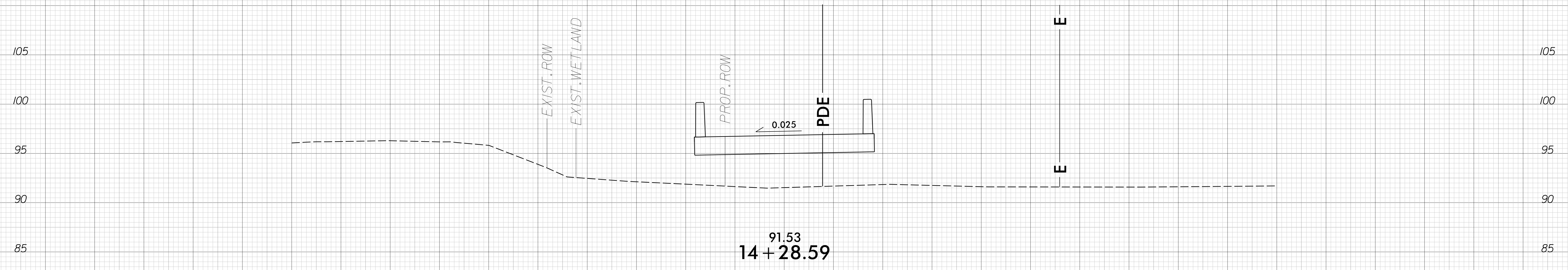
6/23/16

| | | |
|---------|---------------------|-----------|
| 0 2.5 5 | PROJ. REFERENCE NO. | SHEET NO. |
| ■■■■■ | BR-0118 | X-5 |

75 70 65 60 55 50 45 40 35 30 25 20 15 10 5 0 5 10 15 20 25 30 35 40 45 50 55 60 65 70 75



END BRIDGE -TL- STA. 14+28.59



-TL-

75 70 65 60 55 50 45 40 35 30 25 20 15 10 5 0 5 10 15 20 25 30 35 40 45 50 55 60 65 70 75

04-MAR-2020 15:36
BR-0118 Proj-AP1.dgn
idebone