


TIP NUMBER: BR-0117

STATE OF NORTH CAROLINA
DIVISION OF HIGHWAYS

**PAVEMENT MARKING PLAN
NORTHAMPTON COUNTY**

**LOCATION: BRIDGE NO. 650052 ON SR 1313 (HARGRAVES RD)
OVER GUMBERRY SWAMP**

PROJECT REFERENCE NO. <i>BR-0117</i>	SHEET NO. <i>PMP-1</i>
APPROVED: _____	
DATE: _____	
SEAL	
	
2/24/2020	
DocuSigned by: <i>John P. Mazeres</i> E96ECAFCD74EE	
DOCUMENT NOT CONSIDERED FINAL UNLESS ALL SIGNATURES COMPLETED	

ROADWAY STANDARD DRAWINGS

THE FOLLOWING ROADWAY STANDARDS AS SHOWN IN "ROADWAY STANDARD DRAWINGS" - PROJECT SERVICES UNIT - N.C. DEPARTMENT OF TRANSPORTATION - RALEIGH, N.C., DATED JANUARY 2018 ARE APPLICABLE TO THIS PROJECT AND BY REFERENCE HEREBY ARE CONSIDERED A PART OF THESE PLANS:

STD. NO.	TITLE
1205.01	PAVEMENT MARKINGS - LINE TYPES AND OFFSETS
1205.02	PAVEMENT MARKINGS - TWO-LANE AND MULTI-LANE ROADWAYS
1205.12	PAVEMENT MARKINGS - BRIDGES
1261.01	GUARDRAIL AND BARRIER DELINEATOR SPACING
1261.02	GUARDRAIL AND BARRIER DELINEATOR TYPES
1262.01	GUARDRAIL END DELINEATION

GENERAL NOTES

THE FOLLOWING GENERAL NOTES APPLY AT ALL TIMES FOR THE DURATION OF THE CONSTRUCTION PROJECT EXCEPT WHEN OTHERWISE NOTED IN THE PLAN OR DIRECTED BY THE ENGINEER.

PAVEMENT MARKINGS AND MARKERS

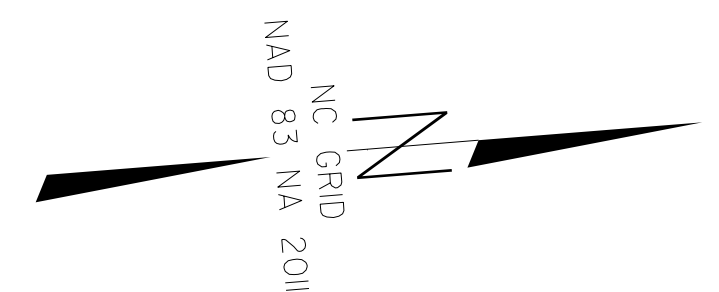
- A) INSTALL PERMANENT PAVEMENT MARKINGS AND PERMANENT RAISED MARKERS ON LAYERS OF PAVEMENT AS FOLLOWS:

ROAD NAME	MARKING	MARKER
SR 1313 (HARGRAVES RD)	THERMOPLASTIC	NONE
- B) TIE PROPOSED PAVEMENT MARKINGS LINES TO EXISTING PAVMENT MARKING LINES.
- C) REMOVE/REPLACE ANY CONFLICTING/DAMAGED PAVEMENT MARKINGS AND MARKERS.
- D) FOR EXTRUDED THERMOPLASTIC PAVEMENT MARKINGS THICKNESS, SEE SPECIAL PROVISIONS.

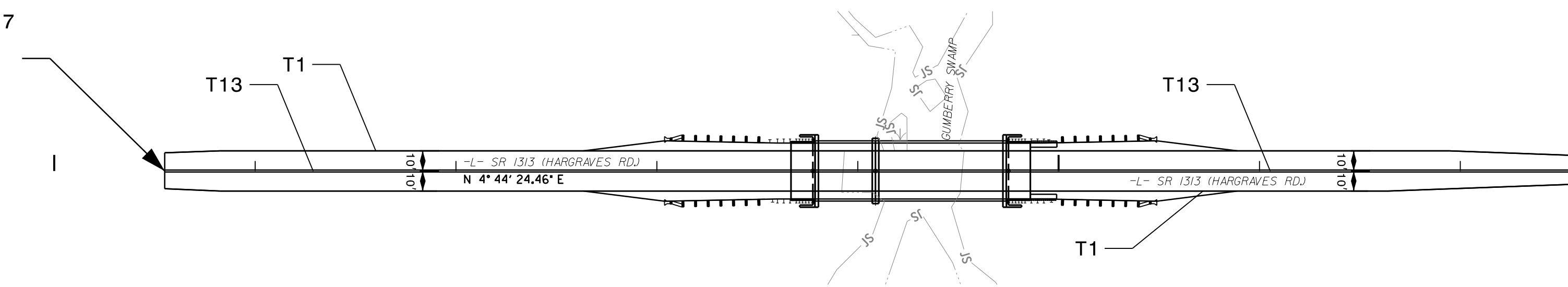
PAVEMENT MARKING SCHEDULE

SYMBOL	DESCRIPTION
T1	WHITE EDGELINE (4", 90 MIL)
T13	YELLOW DOUBLE CENTER (4", 90 MIL)

PAVEMENT MARKING DETAIL



BEGIN TIP PROJECT BR-0117
-L- STA. 10+55.00
TIE TO EXISTING
MARKINGS



END TIP PROJECT BR-0117
-L- STA. 17+55.00
TIE TO EXISTING
MARKINGS



KCA NC FIRM LICENSE No: C-1506
KISINGER CAMPO & ASSOCIATES 301 Fayetteville St., Suite 1500 Raleigh, NC 27601 (919)882-7839

JOHN P. MAZERES, PE PROJECT ENGINEER
ALLEN McSWAIN PROJECT DESIGNER

