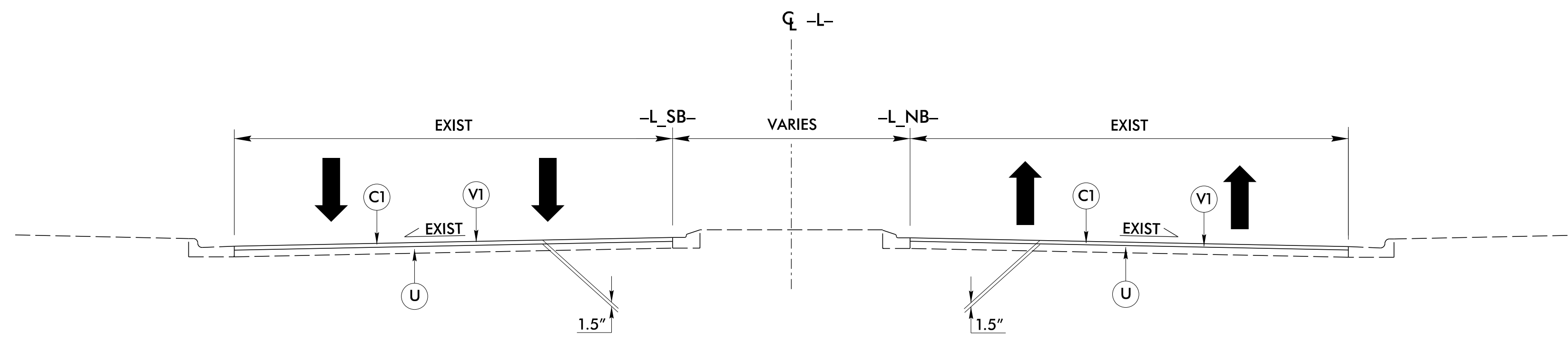
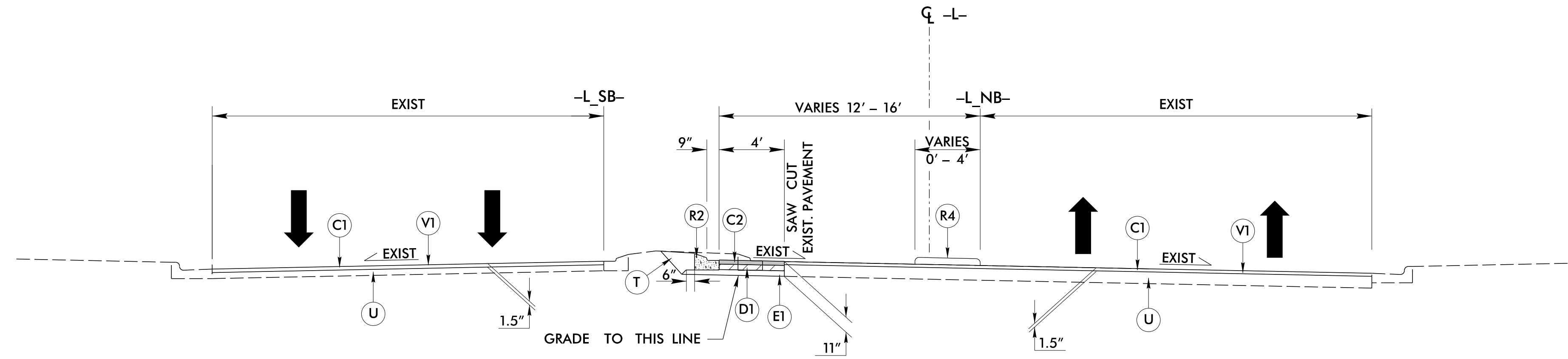


6/2/19

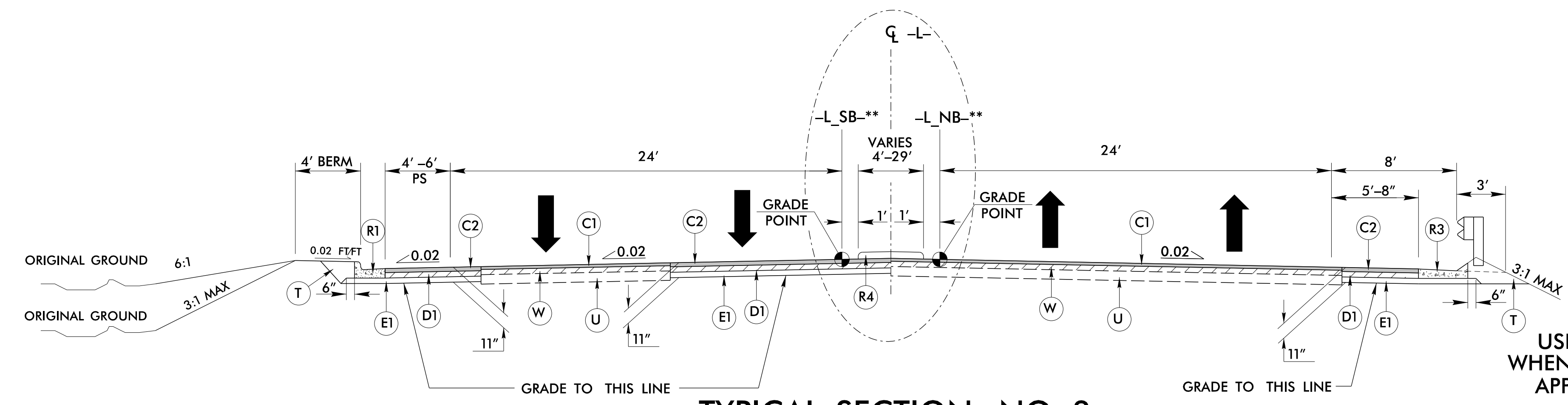
PROJECT REFERENCE NO. 15806.1009011	SHEET NO. 2A-2
ROADWAY DESIGN ENGINEER 	PAVEMENT DESIGN ENGINEER 
<b>DOCUMENT NOT CONSIDERED FINAL UNLESS ALL SIGNATURES COMPLETED</b>	
ICE of Carolinas, PLLC 4505 Falls of Neuse Road, Suite 110 Raleigh, North Carolina 27609 Phone: 919-822-0333 License #: P-9999	



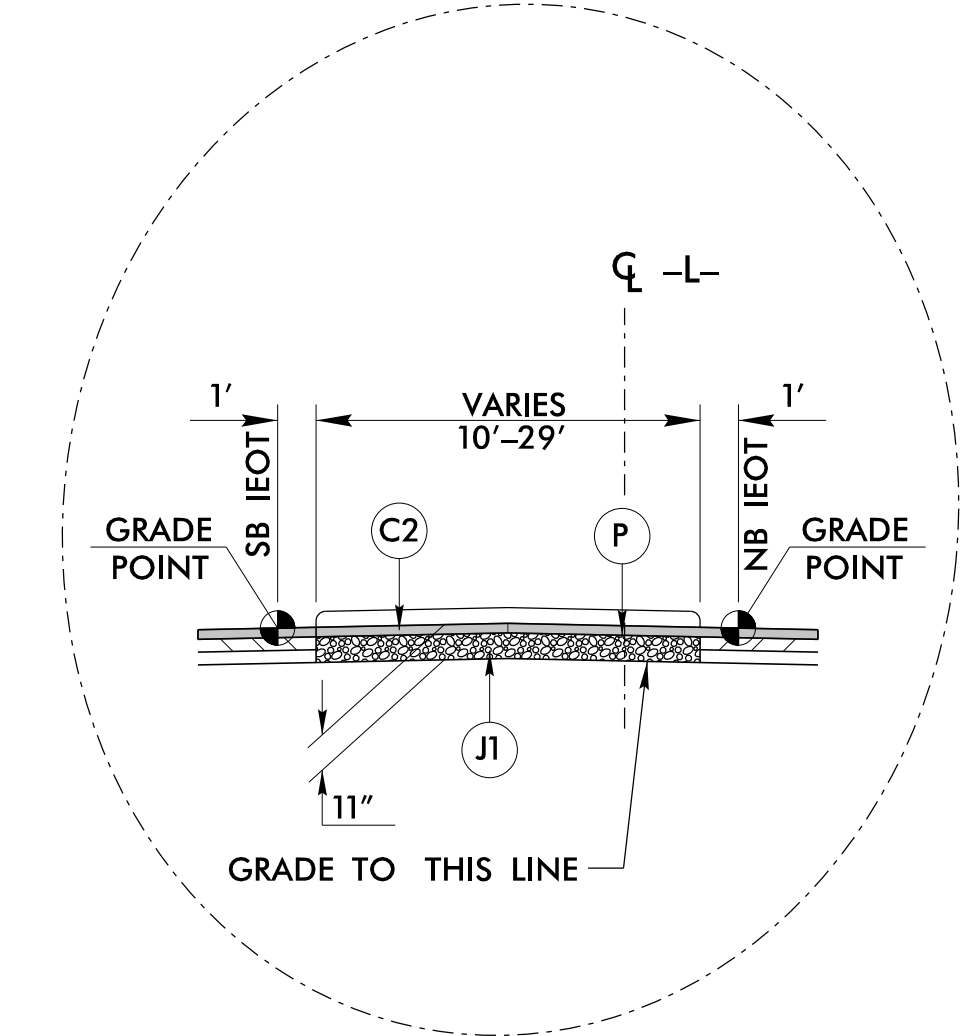
**TYPICAL SECTION NO. 1**  
 -L- STA. 103 + 63.91 TO -L- STA. 107 + 03.77



**TYPICAL SECTION NO. 2**  
 -L- STA. 107 + 03.77 TO -L- STA. 108 + 02.29



RESURFACE SOUTHBOUND SIDE FROM 108+02.29 TO APPROX. STA. 110+00  
 FULL DEPTH PAVEMENT FROM APPROX. 110+00 TO 112+40  
**TYPICAL SECTION NO. 3**  
 -L- STA. 108 + 02.29 TO -L- STA. 112 + 40.00



**TYPICAL SECTION NO. 3A**  
 USE IN CONJUNCTION W/TYPICAL SECTION NO. 3  
 WHEN MONOLITHIC ISLAND WIDTH GREATER THAN 10'  
 APPROX. -L- STA. 108 + 60.71 TO -L- STA. 111 + 20.81

PAVEMENT SCHEDULE	
C1	1.5" S9.5C
C2	3.0" S9.5C
C3	VAR. S9.5C
D1	4" I19.0C
D2	VAR. I19.0C
E1	4" B25.0C
J1	8" ABC
P	PRIME COAT
R1	2'-6" C&G
R2	1'-6" C&G
R3	SBG
R4	5" CONC. ISLAND
T	EARTH MATERIAL
U	EXIST PAVEMENT
V1	1 1/2" MILL
V2	INCIDENTAL MILLING
W	WEDGING

2:40:00 JPM  
 R:\Projects\19-77 Division 6 On Call\02 US 701 over Cape Fear River\NCDOT\Roadway\Proj\US701-L-rdy-tyr.dgn  
 Corbin Jackson