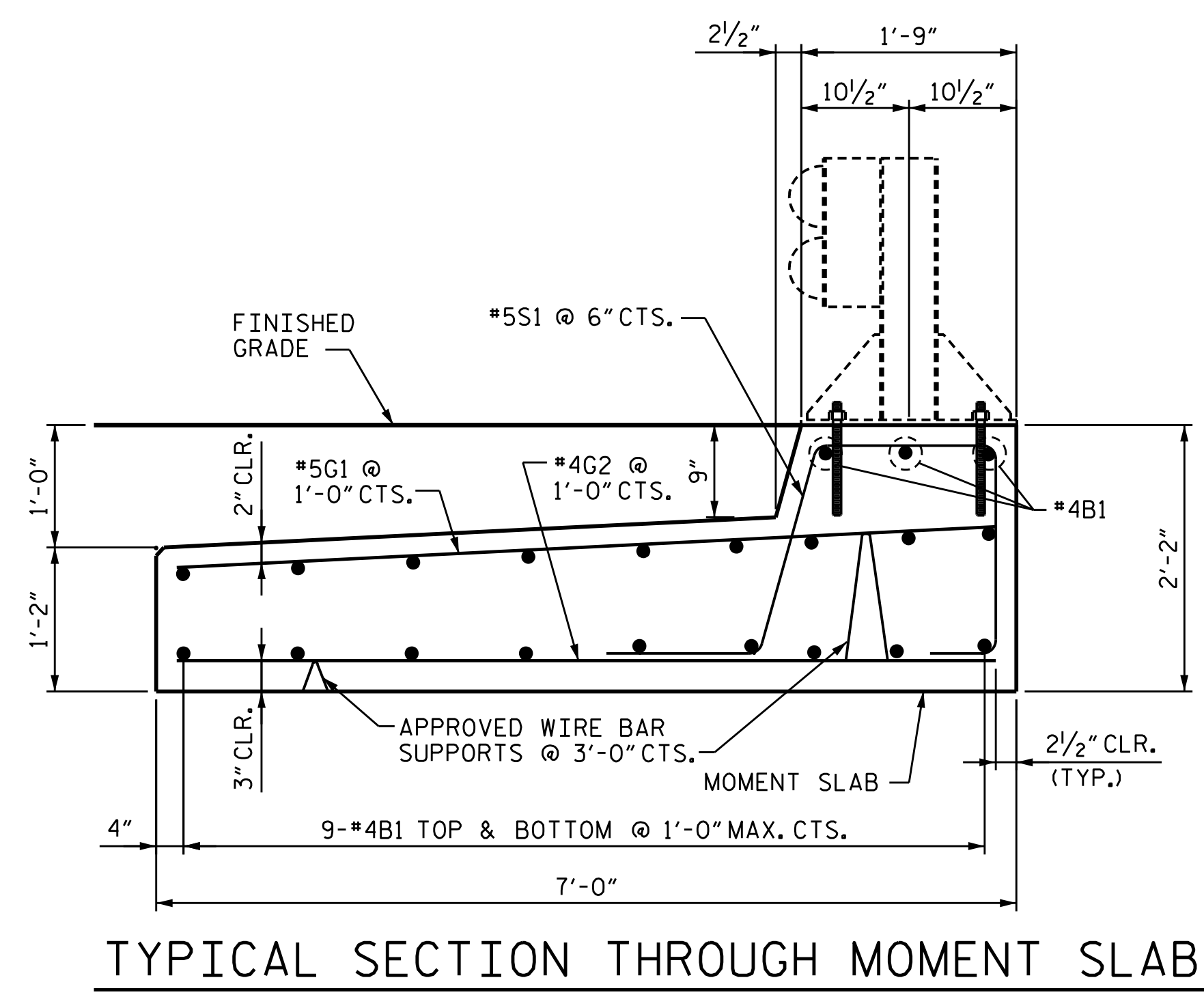
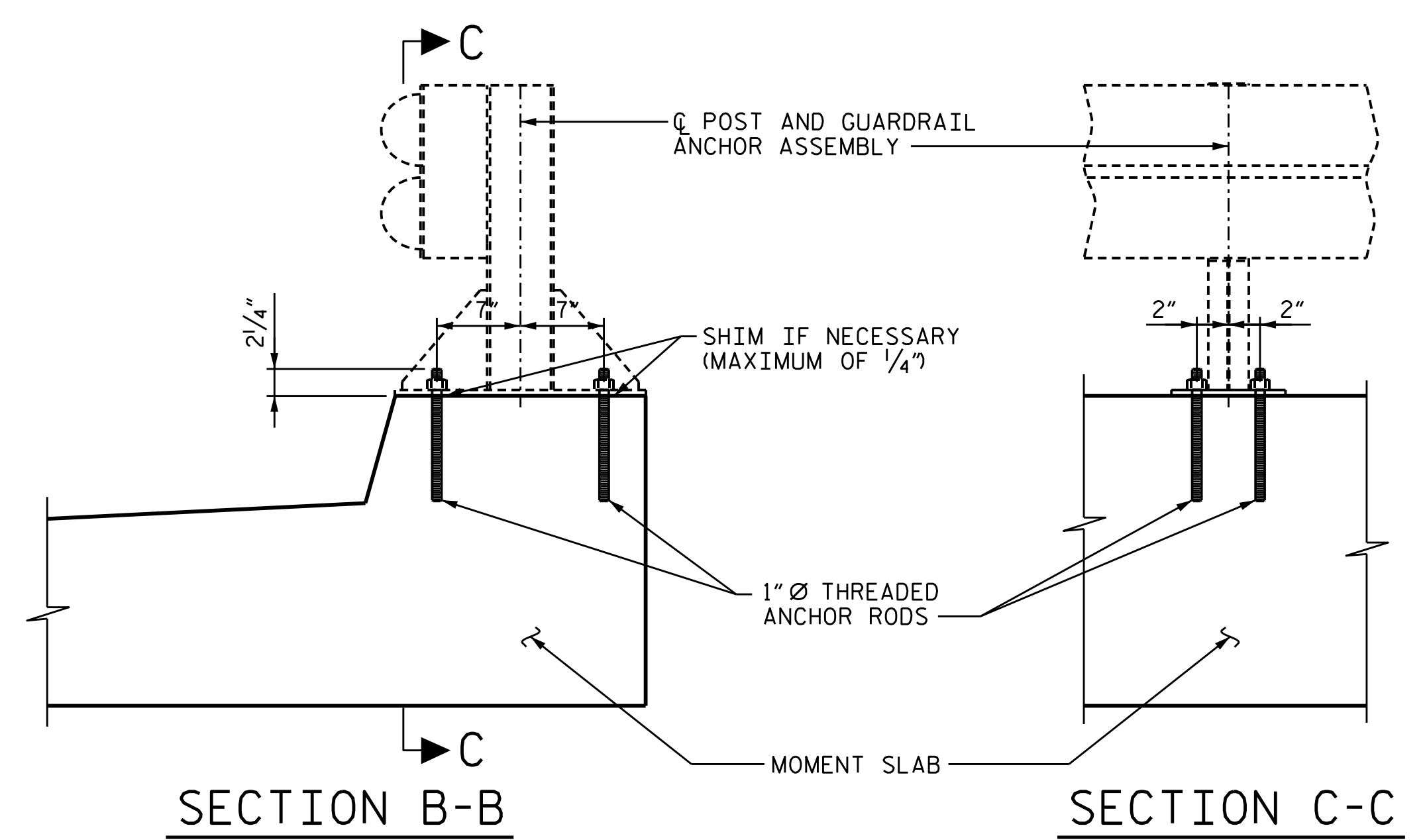


PLAN OF GUARDRAIL POST SPACING & MOMENT SLAB LAYOUT

* THIS DIMENSION TO BE DETERMINED BY THE ENGINEER IN THE FIELD.



TYPICAL SECTION THROUGH MOMENT SLAB

NOTES

ALL GUARDRAIL ATTACHMENTS SHALL BE MADE USING ADHESIVELY ANCHORED ANCHOR BOLTS. LEVEL TWO FIELD TESTING IS REQUIRED, AND THE YIELD LOAD OF THE 1" Ø BOLT IS 21.8 KIPS. FOR ADHESIVELY ANCHORED ANCHOR BOLTS, SEE THE STANDARD SPECIFICATIONS.

ANCHOR BOLTS, NUTS AND WASHERS SHALL BE 1" Ø AND MEET THE REQUIREMENTS OF ASTM A325. BOLTS, NUTS AND WASHERS SHALL BE GALVANIZED.

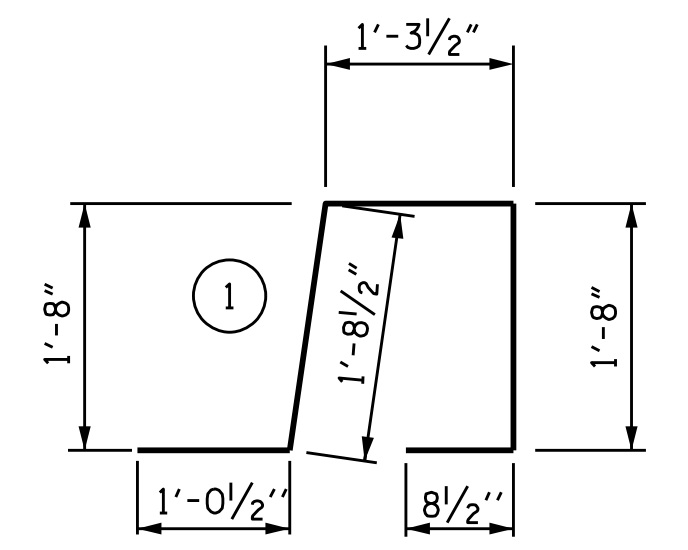
PAYMENT FOR GUARDRAIL, POSTS, ADHESIVELY ANCHORED ANCHOR BOLTS AND POST BASE PLATES IS INCLUDED IN ROADWAY PAY ITEMS.

THE GUARDRAIL POSTS SHALL NOT BE ATTACHED UNTIL THE MOMENT SLAB HAS ATTAINED AN AGE OF THREE CURING DAYS, OR A MINIMUM COMPRESSIVE STRENGTH OF 2000 PSI. IN ADDITION, NO FILL MATERIAL, ASPHALT OR CONSTRUCTION EQUIPMENT IS ALLOWED ON THE MOMENT SLAB PRIOR TO SATISFYING THE MINIMUM CONCRETE CURING AND STRENGTH REQUIREMENTS.

ALL REINFORCING STEEL IN THE MOMENT SLAB SHALL BE EPOXY COATED.

THE CONTRACT UNIT PRICE FOR "MOMENT SLAB, LIN. FEET" WILL BE FULL COMPENSATION FOR SUBMITTALS, LABOR, TOOLS, EQUIPMENT, MOMENT SLAB MATERIALS, EXCAVATING, BACKFILLING, HAULING AND REMOVING EXCAVATED MATERIALS, AND SUPPLYING ANY INCIDENTALS NECESSARY TO CONSTRUCT THE CONCRETE MOMENT SLAB. SEE SPECIAL PROVISION.

BAR TYPES



ALL BAR DIMENSIONS ARE OUT TO OUT

BILL OF MATERIAL FOR TWO MOMENT SLABS

FOR CONCRETE MOMENT SLAB ONLY					
BAR	NO.	SIZE	TYPE	LENGTH	WEIGHT
B1	42	#4	STR	33'-8"	945
G1	70	#5	STR	6'-7"	481
G2	70	#4	STR	6'-7"	308
S1	138	#5	①	6'-5"	924
CLASS AA CONCRETE					26.9 CY
EPOXY COATED REINFORCING STEEL					2,658 LBS.
MOMENT SLAB					68.0 LIN. FT.

PROJECT NO. R-5740
PERQUIMANS COUNTY
 STATION: 79+82.10 -L-

SHEET 3 OF 3



STATE OF NORTH CAROLINA
 DEPARTMENT OF TRANSPORTATION
 RALEIGH
SINGLE
32'-11" x 9'-4"
ALUMINUM BOX CULVERT
94° SKEW

REVISIONS						SHEET NO.
NO.	BY:	DATE:	NO.	BY:	DATE:	C-4
1			3			TOTAL SHEETS
2			4			7

PREPARED IN THE OFFICE OF:
ATKINS
 1616 EAST MILLBROOK ROAD, SUITE 160
 RALEIGH, NORTH CAROLINA 27609
 (919) 876-6888 NCBES #F-0326

DRAWN BY : CAB DATE : 11/19
 CHECKED BY : CYL DATE : 11/19
 DESIGN ENGINEER OF RECORD : DRB DATE : 11/19