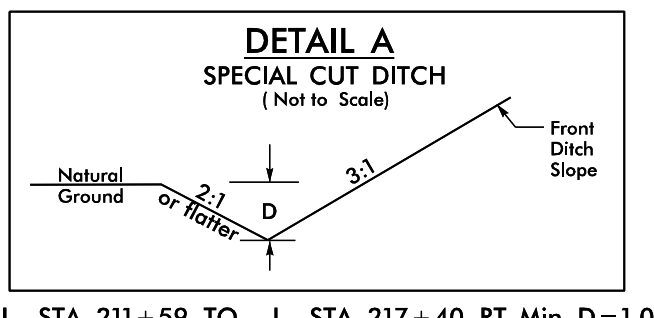
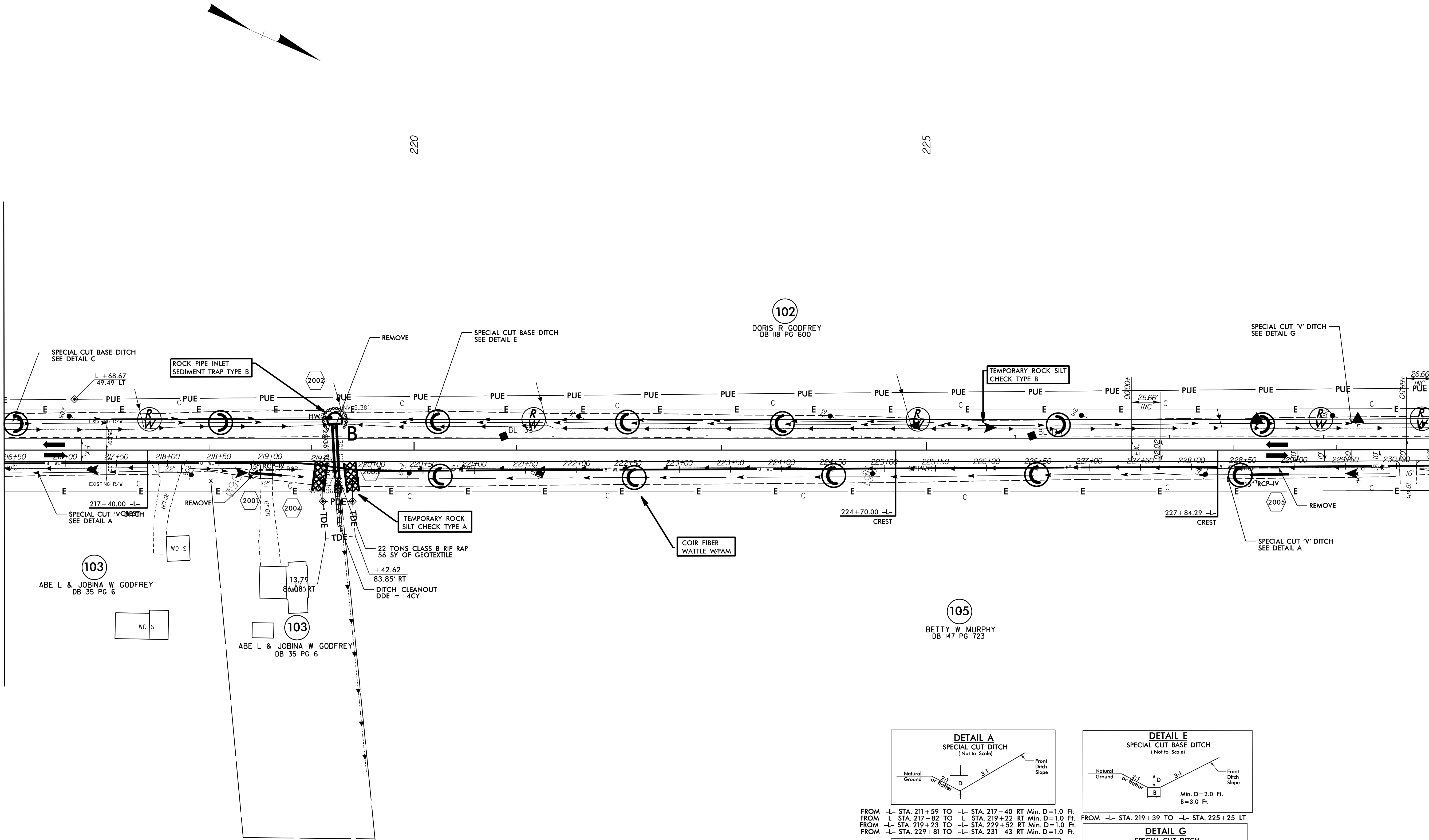


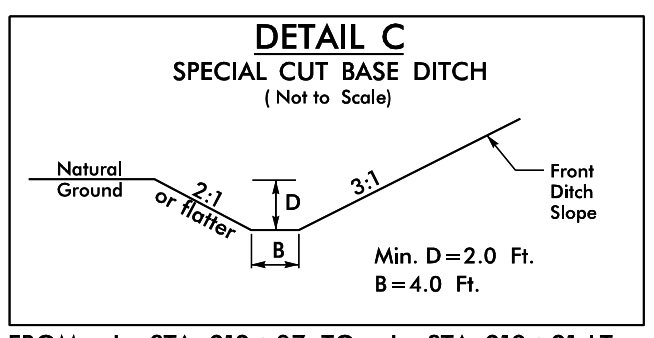
5/14/99  
 19 DEC 2018 10:46 AM C:\Users\pshe\OneDrive\Documents\CADD\PSH\A&S\C\R5740\_rdy\_PSH\_38.dgn  
 \$\$\$\$SUN\$

MATCHLINE SEE SHEET EC-37  
 -L- STA 216+00

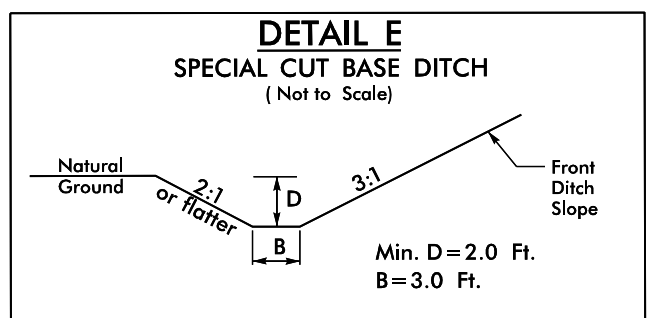
MATCHLINE SEE SHEET EC-39  
 -L- STA 230+00



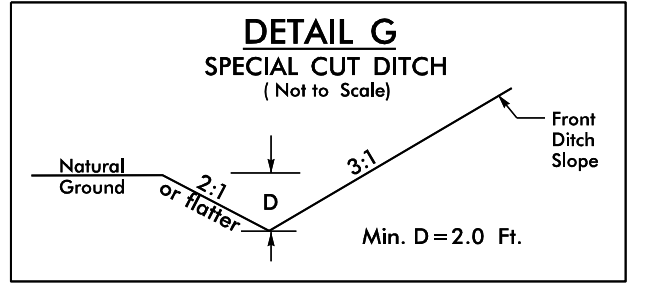
FROM -L- STA. 211+59 TO -L- STA. 217+40 RT Min. D=1.0 Ft.  
 FROM -L- STA. 217+82 TO -L- STA. 219+22 RT Min. D=1.0 Ft.  
 FROM -L- STA. 219+23 TO -L- STA. 229+52 RT Min. D=1.0 Ft.  
 FROM -L- STA. 229+81 TO -L- STA. 231+43 RT Min. D=1.0 Ft.



FROM -L- STA. 212+37 TO -L- STA. 219+21 LT



FROM -L- STA. 219+39 TO -L- STA. 225+25 LT



FROM -L- STA. 225+25 TO -L- STA. 231+39 LT

**INSTALL MATTING FOR EROSION CONTROL IN THE PROPOSED DITCH LINE.**