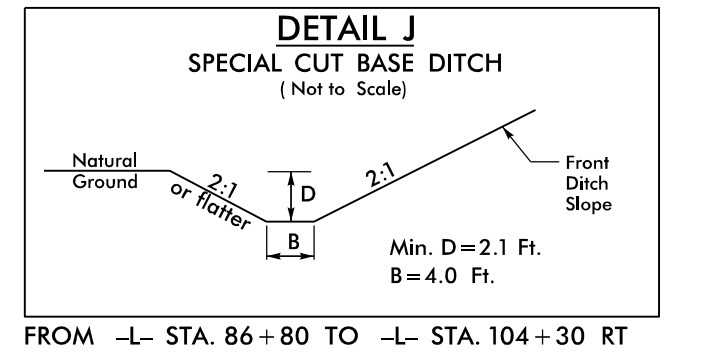
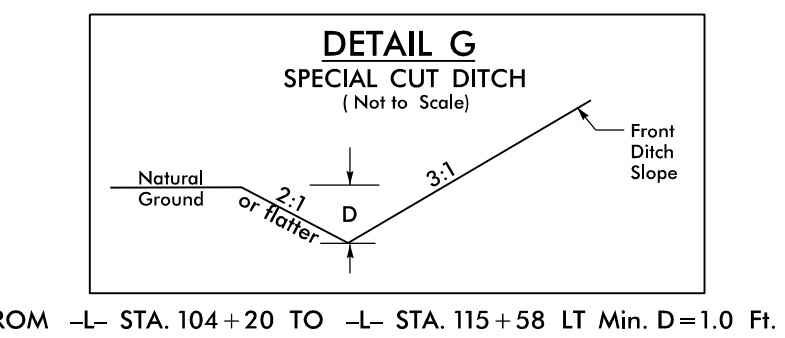
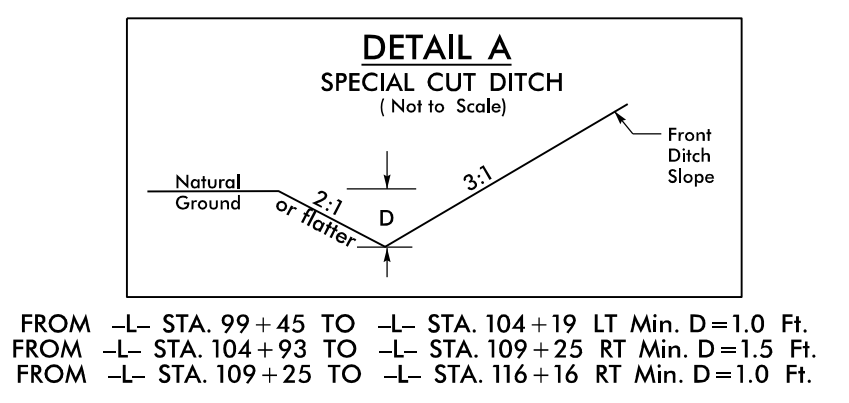


MATCHLINE SEE SHEET EC-28
-L- STA 101+00

MATCHLINE SEE SHEET EC-30
-L- STA 115+00



INSTALL MATTING FOR EROSION CONTROL IN THE PROPOSED DITCH LINE.

19 DEC 2018 10:20 AM C:\Users\jps\Documents\CADD\PSHA\EC\SC\R5740_29.dwg PSH_29.dgn \$\$\$\$ \$\$\$\$\$\$