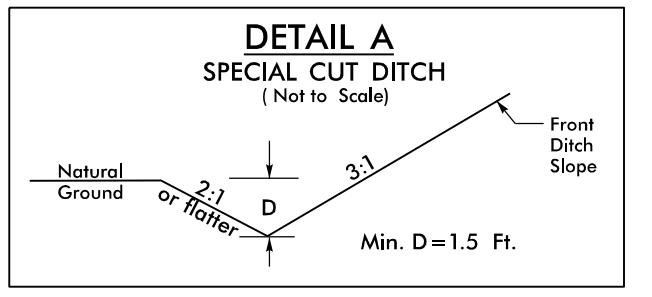
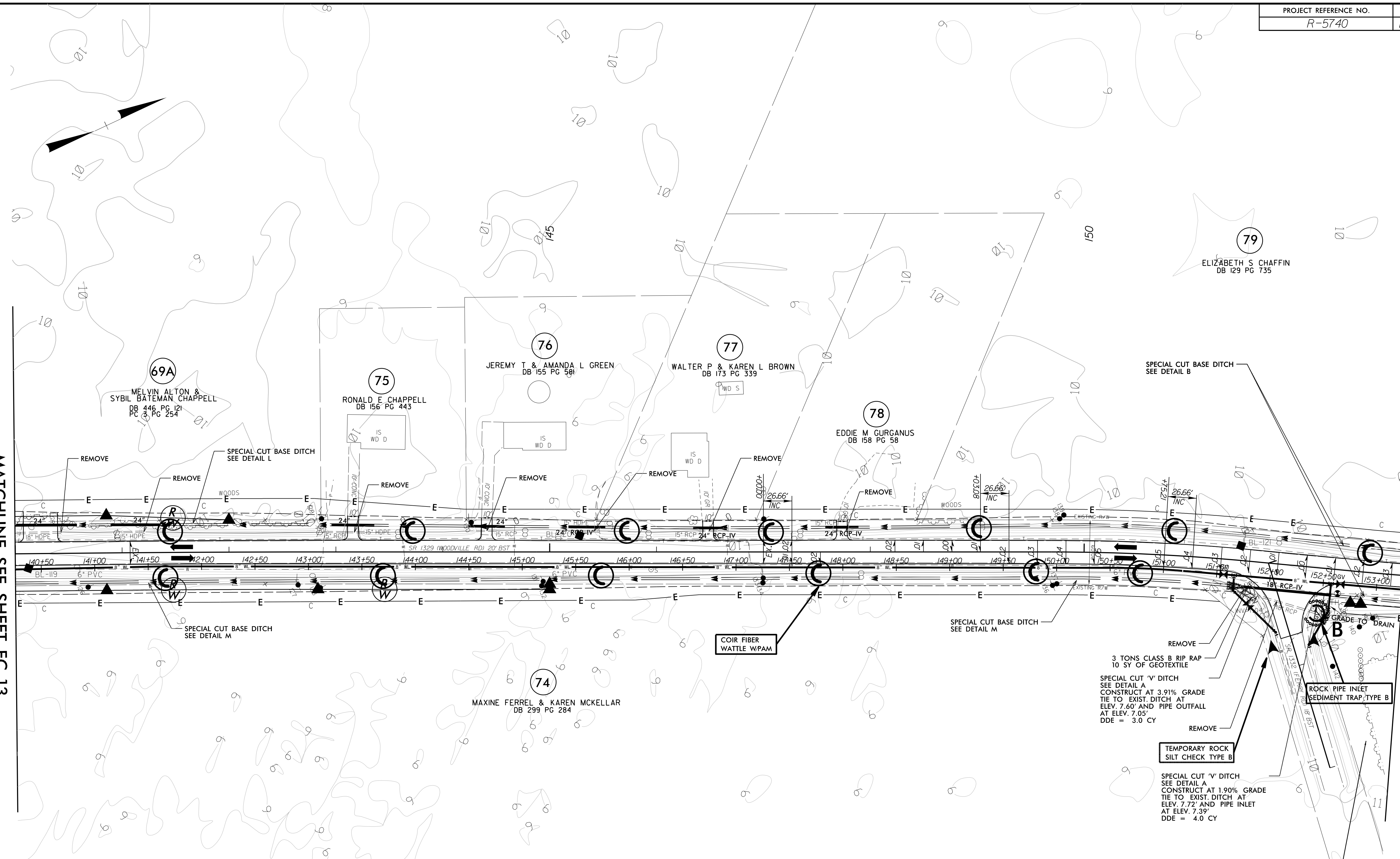


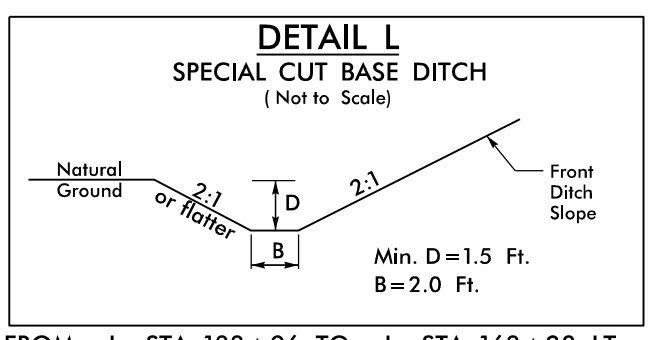
5/14/99
 19 DEC 2016 09:32
 J:\NCDOT\19 DEC 2016 09:32\740\Hydr-eul\1cs\CADD\PSHA\E&S\AR5740_rdy_PSH.14.dgn
 \$\$\$SUSANRICHARDSON\$\$\$

MATCHLINE SEE SHEET EC-13
 -L- STA 140+00

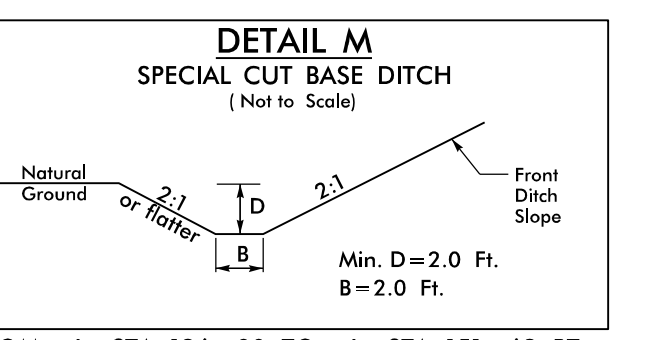
MATCHLINE SEE SHEET EC-15
 -L- STA 153+00



FROM -Y5- STA. 10+45 TO -Y5- STA. 10+61 LT Min. D=1.0 Ft.
 FROM -Y5- STA. 10+15 TO -Y5- STA. 10+25 RT Min. D=1.0 Ft.



FROM -L- STA. 133+96 TO -L- STA. 163+28 LT
 FROM -L- STA. 152+22 TO -L- STA. 161+71 RT



FROM -L- STA. 136+00 TO -L- STA. 151+63 RT

NOTE: PLACE TEMPORARY ROCK SEDIMENT DAMS TYPE - B AND TEMPORARY ROCK SILT CHECKS TYPE - A AT DRAINAGE OUTLETS.

CLEARING AND GRUBBING EROSION CONTROL FOR CONSTRUCTION SHEET 14