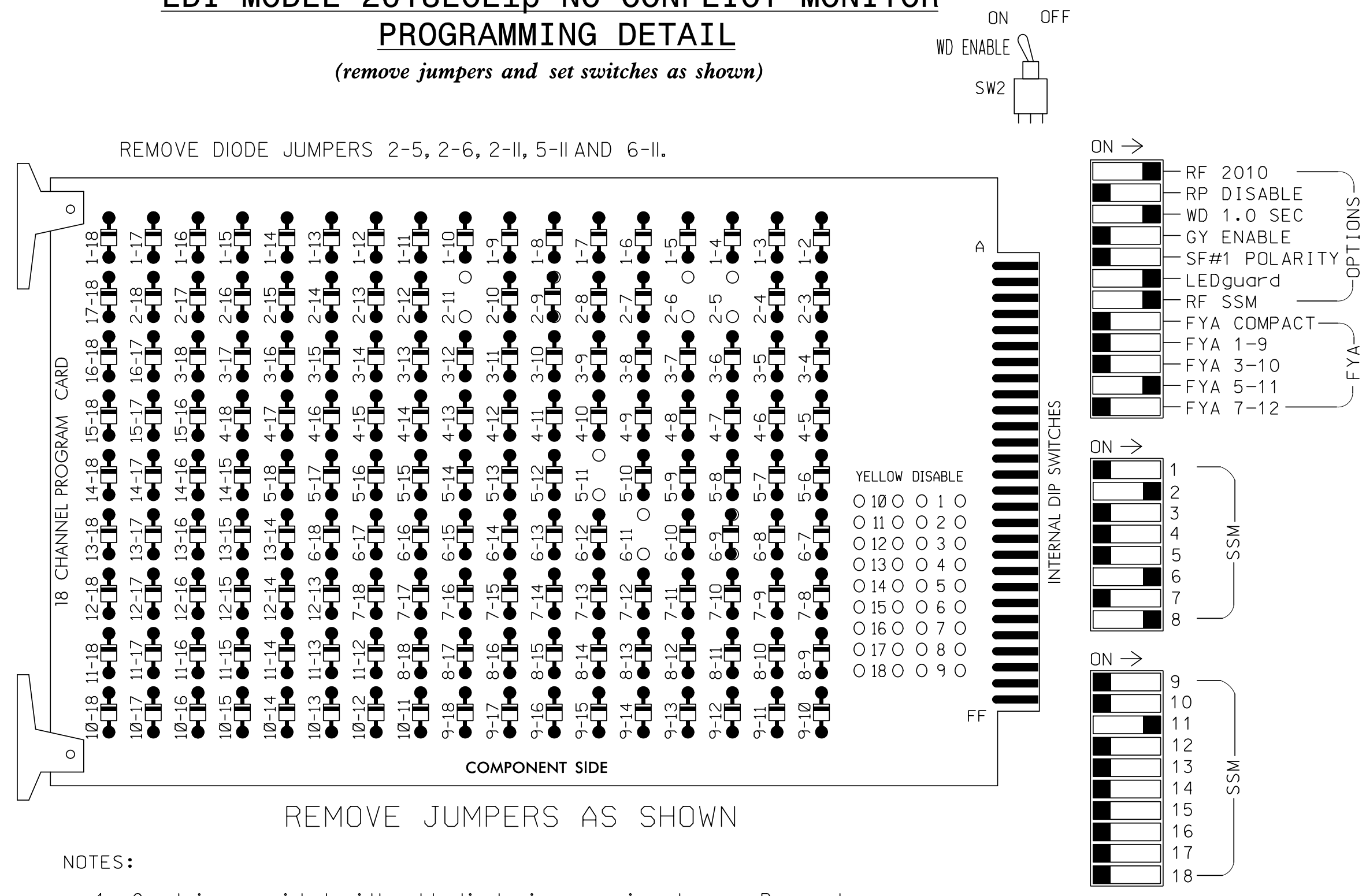


EDI MODEL 2018ECLip-NC CONFLICT MONITOR PROGRAMMING DETAIL

(remove jumpers and set switches as shown)



NOTES:

1. Card is provided with all diode jumpers in place. Removal of any jumper allows its channels to run concurrently.
2. Ensure jumpers SEL2-SEL5 and SEL9 are present on the monitor board.
3. Ensure that Red Enable is active at all times during normal operation.
4. Integrate monitor with Ethernet network in cabinet.

NOTES

1. To prevent "flash-conflict" problems, insert red flash program blocks for all unused vehicle load switches in the output file. The installer shall verify that signal heads flash in accordance with the Signal Plans.
2. Program controller to start up in phase 2 Green and phase 6 Green.
3. The cabinet and controller are part of the SR 1007 (Mebane Oaks Rd) Closed Loop System.

EQUIPMENT INFORMATION

CONTROLLER.....2070
 CABINET.....332 W/ AUX
 SOFTWARE.....ECONOLITE ASC/3-2070
 CABINET MOUNT.....BASE
 OUTPUT FILE POSITIONS...18 WITH AUX. OUTPUT FILE
 LOAD SWITCHES USED.....S2,S7,S8,S11,AUX S4
 PHASES USED.....2,5,6,8
 OVERLAP 'A'.....NOT USED
 OVERLAP 'B'.....NOT USED
 OVERLAP 'C'.....*
 OVERLAP 'D'.....NOT USED
 * See overlap programming detail on sheet 2

SIGNAL HEAD HOOK-UP CHART

LOAD SWITCH NO.	S1	S2	S3	S4	S5	S6	S7	S8	S9	S10	S11	S12	AUX S1	AUX S2	AUX S3	AUX S4	AUX S5	AUX S6
CMU CHANNEL NO.	1	2	13	3	4	14	5	6	15	7	8	16	9	10	17	11	12	18
PHASE	1	2	2 PED	3	4	4 PED	5	6	6 PED	7	8	8 PED	OLA	OLB	SPARE	OLC	OLD	SPARE
SIGNAL HEAD NO.	NU	21,22	NU	NU	NU	NU	51	61,62	NU	NU	81,82	83,84 85	NU	NU	NU	51	NU	NU
RED		128						134			107	107						
YELLOW		129					*	135			108							
GREEN								136			109							
RED ARROW																		A114
YELLOW ARROW											108							A115
FLASHING YELLOW ARROW																		A116
GREEN ARROW		130						133			109							

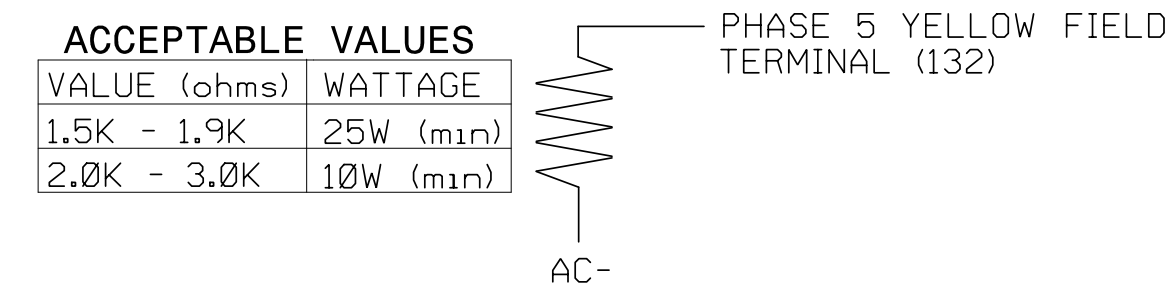
NU = Not Used

* Denotes install load resistor. See load resistor installation detail this sheet.

★ See pictorial of head wiring in detail this sheet.

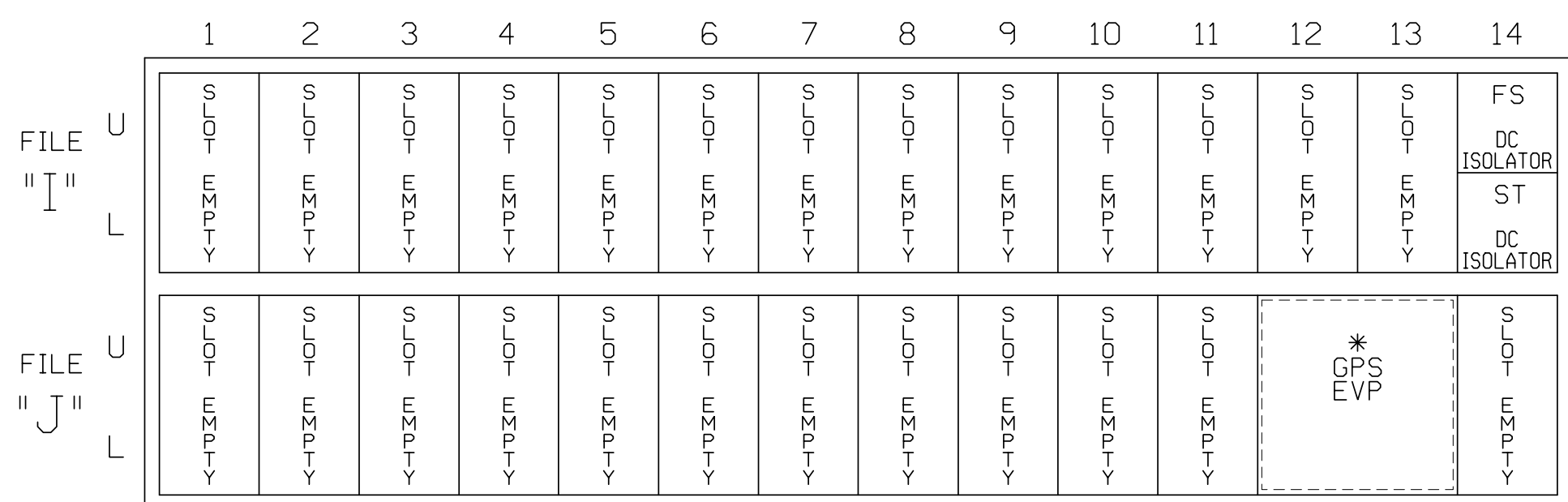
LOAD RESISTOR INSTALLATION DETAIL

(install resistor as shown below)



INPUT FILE POSITION LAYOUT

(front view)



EX.: 1A, 2A, ETC. = LOOP NO.'S
 See GPS Preemption Installation Note Below

FS = FLASH SENSE
 ST = STOP TIME

SPECIAL DETECTOR NOTE

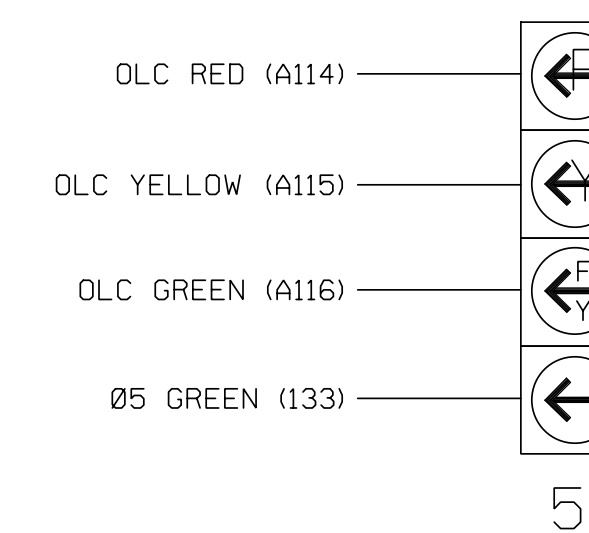
Install a GPS preemption system. Perform installation according to manufacturer's directions and NCDOT engineer approved mounting location to accomplish the preemption schemes shown on the Signal Design Plans.

VIDEO DETECTOR NOTE

Install a video detection system for vehicle detection. Perform installation according to manufacturer's directions and NCDOT engineer-approved mounting locations to accomplish the detection schemes shown on the Signal Design Plans.

FYA SIGNAL WIRING DETAIL

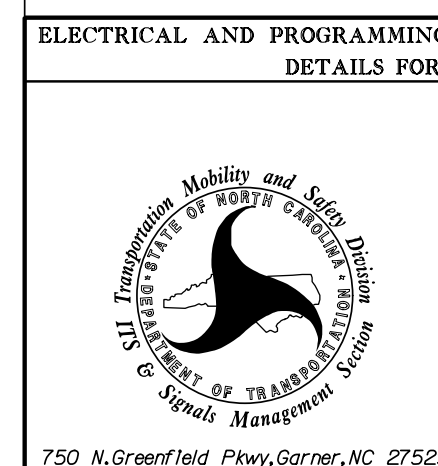
(wire signal heads as shown)



THIS ELECTRICAL DETAIL IS FOR THE SIGNAL DESIGN: 07-2024T1
 DESIGNED: November 2019
 SEALED: 12/17/2019
 REVISED: N/A

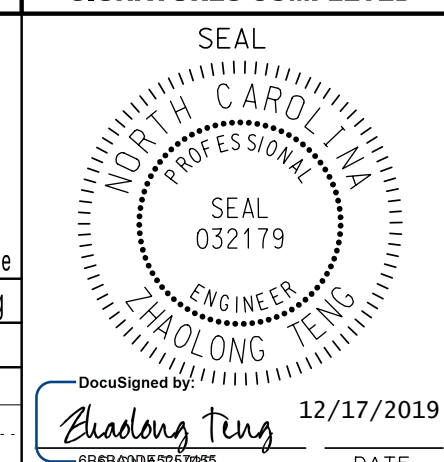
PREPARED IN THE OFFICE OF:
Accelerate Engineering, PLLC
 875 Walnut Street, Suite 316
 Cary, NC 27511
 Tel: 919.263.5678 Fax: 919.263.5687
 NC License No. P-1442

Temporary Design 1
 Electrical Detail - Sheet 1 of 2



ELECTRICAL AND PROGRAMMING DETAILS FOR:		SR 1007 (Mebane Oaks Road) at I-40 WB / I-85 SB Ramps	
Division 7	Alamance County	Mebane	
PLAN DATE: November 2019	REVIEWED BY: Z. "Gavin" Teng		
PREPARED BY: Z. "Gavin" Teng	REVIEWED BY:		
REVISIONS	INIT.	DATE	

DOCUMENT NOT CONSIDERED FINAL UNLESS ALL SIGNATURES COMPLETED



SIG. INVENTORY NO. 07-2024T1

\$\$\$\$\$SYTIME\$\$\$\$\$
 \$\$\$\$\$\$SYTIME\$\$\$\$\$
 \$\$\$\$\$\$SYTIME\$\$\$\$\$
 \$\$\$\$\$\$SYTIME\$\$\$\$\$
 \$\$\$\$\$\$SYTIME\$\$\$\$\$