

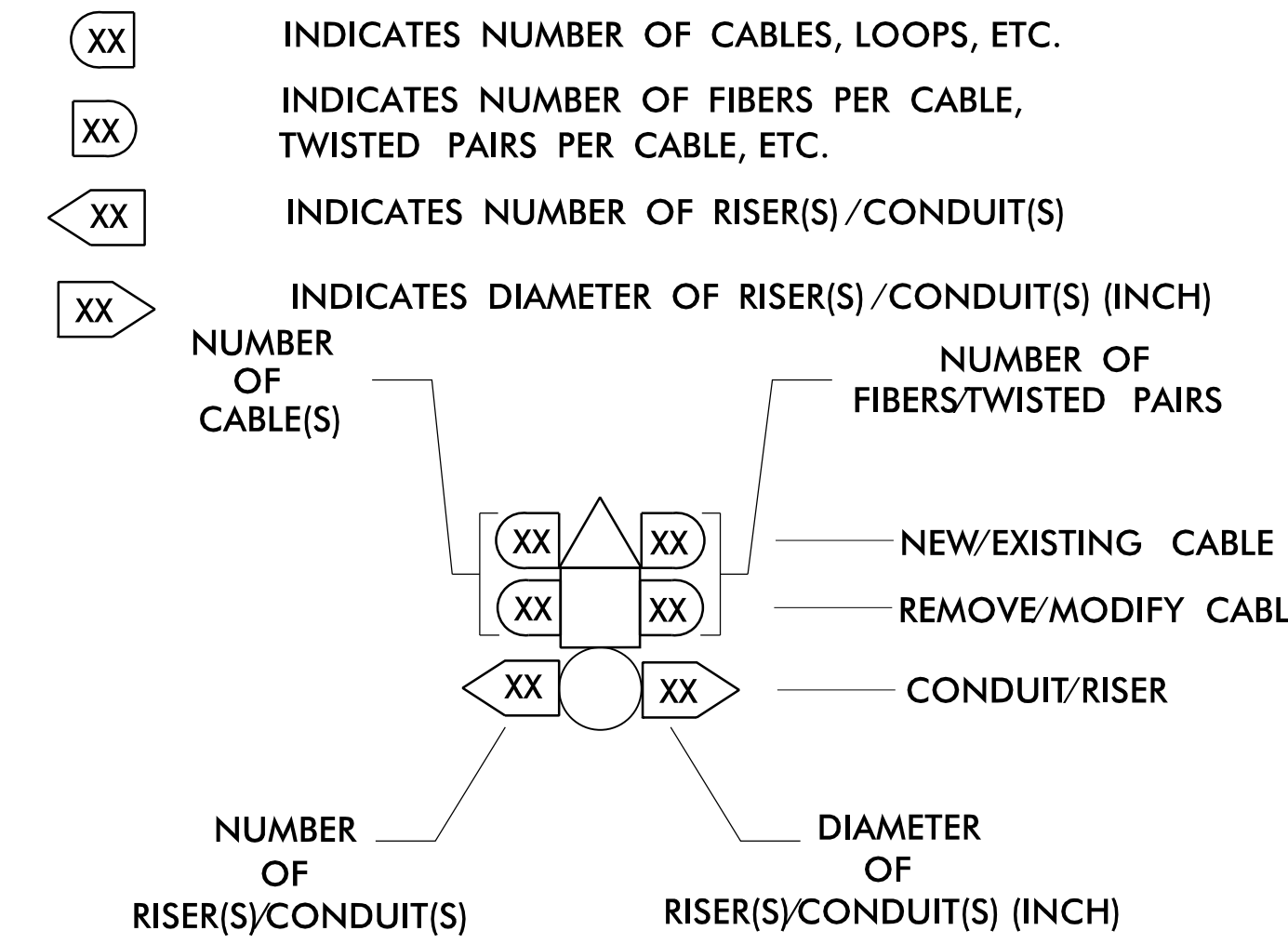
- 1 INSTALL REA, PE - 22, SHIELDED, TWISTED PAIR COMMUNICATIONS CABLE
- 2 INSTALL COAX CABLE
- 3 INSTALL ETHERNET CABLE
- 4 INSTALL SMFO CABLE
- 5 INSTALL MMFO CABLE
- 6 INSTALL FIBER OPTIC DROP CABLE
- 7 INSTALL TRACER WIRE
- 8 TRENCH
- 9 INSTALL PVC CONDUIT
- 10 INSTALL RIGID, GALVANIZED STEEL CONDUIT
- 11 INSTALL RIGID, GALVANIZED STEEL RISER WITH WEATHERHEAD
- 12 INSTALL RIGID, GALVANIZED STEEL RISER WITH FIBER OPTIC CABLE SEAL
- 13 INSTALL OUTER-DUCT POLYETHYLENE CONDUIT
- 14 INSTALL POLYETHYLENE CONDUIT
- 15 DIRECTIONAL DRILL CONDUIT
- 16 BORE AND JACK CONDUIT
- 17 INSTALL CABLE(S) IN EXISTING CONDUIT
- 18 INSTALL CABLE(S) IN NEW CONDUIT
- 19 INSTALL CABLE(S) IN EXISTING RISER
- 20 INSTALL CABLE(S) IN NEW RISER
- 21 INSTALL CABLE(S) IN EXISTING CONDUIT STUB-OUTS
- 22 INSTALL NEW CONDUIT INTO EXISTING CABINET BASE (USE EXISTING CONDUIT STUB-OUTS WHEN AVAILABLE)
- 23 INSTALL NEW RISER INTO EXISTING CABINET BASE (USE EXISTING CONDUIT STUB-OUTS WHEN AVAILABLE)
- 24 INSTALL NEW CONDUIT INTO EXISTING POLE MOUNTED CABINET
- 25 INSTALL NEW RISER INTO EXISTING POLE MOUNTED CABINET
- 26 MODIFY EXISTING INTERCONNECT CENTER /SPLICE ENCLOSURE
- 27 INSTALL NEW FIBER OPTIC TRANSCEIVER
- 28 INSTALL INTERCONNECT CENTER, PATCH PANEL, JUMPERS AND FUSION SPLICE CABLE IN CABINET
- 29 INSTALL UNDERGROUND SPLICE ENCLOSURE
- 30 INSTALL AERIAL SPLICE ENCLOSURE
- 31 INSTALL POLE MOUNTED SPLICE CABINET
- 32 INSTALL BASE MOUNTED SPLICE CABINET
- 33 REMOVE EXISTING SPLICE CABINET

- 34 INSTALL CABINET FOUNDATION
- 35 INSTALL CCTV CAMERA POLE MOUNTED CABINET
- 36 INSTALL CCTV CAMERA ASSEMBLY
- 37 INSTALL CCTV CAMERA WOOD POLE
- 38 INSTALL CCTV CAMERA METAL POLE AND FOUNDATION
- 39 INSTALL JUNCTION BOX
- 40A INSTALL OVERSIZED JUNCTION BOX
- 40B INSTALL SPECIAL OVERSIZED JUNCTION BOX (36" x 36" x 24")
- 41 REMOVE EXISTING JUNCTION BOX
- 42 INSTALL WOOD POLE
- 43 REMOVE EXISTING WOOD POLE
- 44 INSTALL AERIAL GUY ASSEMBLY
- 45 INSTALL STANDARD GUY ASSEMBLY
- 46 INSTALL SIDEWALK GUY ASSEMBLY
- 47 INSTALL MESSENGER CABLE
- 48A REMOVE EXISTING COMMUNICATIONS AND MESSENGER CABLE
- 48B REMOVE EXISTING COMMUNICATIONS CABLE
- 49 BACK PULL EXISTING COMMUNICATIONS CABLE
- 50 INSTALL TELEPHONE SERVICE
- 51 INSTALL CABLE STORAGE RACKS (SNOW SHOES) AND STORE 100 FEET OF CABLE
- 52A INSTALL DELINEATOR MARKER
- 52B INSTALL JUNCTION BOX MARKER
- 53 STORE 20 FEET OF COMMUNICATIONS CABLE
- 54 LASH CABLE(S) TO EXISTING COMMUNICATIONS CABLE
- 55 LASH CABLE(S) TO EXISTING MESSENGER CABLE
- 56 LASH CABLE(S) TO NEW MESSENGER CABLE
- 57 MODIFY EXISTING ELECTRICAL SERVICE
- 58 INSTALL NEW ELECTRICAL SERVICE
- 59 INSTALL NEW ETHERNET EDGE SWITCH
- 60 BOND TRACER WIRE TO EQUIPMENT GROUND BUS  
DO NOT BOND TRACER WIRE TO EQUIPMENT GROUND BUS
- 61 BOND RISER AND MESSENGER CABLE TO POLE GROUND
- 62 BOND RISER TO POLE GROUND
- 63 BOND MESSENGER CABLE TO POLE GROUND
- 64 INSTALL HEAT SHRINK TUBING RETROFIT KIT
- 65 INSTALL MOLDABLE DUCT SEAL
- 66 SLACK SPAN

- LEGEND**
- FO NEW FIBER OPTIC COMMUNICATIONS CABLE
  - TWIST PR NEW TWISTED PAIR COMMUNICATIONS CABLE
  - EXI EXISTING COMMUNICATIONS CABLE
  - REM EXISTING COMMUNICATIONS CABLE TO BE REMOVED
  - NEW AERIAL GUY ASSEMBLY
  - NEW CONDUIT
  - EXISTING CONDUIT
  - DD NEW DIRECTIONAL DRILLED CONDUIT
  - B&J NEW BORED AND JACKED CONDUIT

- NEW JUNCTION BOX
- EXISTING JUNCTION BOX
- NEW WOOD POLE
- EXISTING WOOD POLE
- AERIAL SPLICE ENCLOSURE
- UNDERGROUND SPLICE ENCLOSURE
- NEW METAL POLE
- EXISTING METAL POLE
- NEW CCTV ASSEMBLY
- NEW STANDARD GUY ASSEMBLY
- NEW SIDEWALK GUY ASSEMBLY
- SIGNAL INVENTORY NUMBER
- NEW CABLE STORAGE RACKS (SNOW SHOES)
- EXISTING CABLE STORAGE RACK (SNOW SHOE)
- EXISTING CONTROLLER AND CABINET
- NEW CCTV CABINET
- EXISTING SPLICE CABINET
- NEW SPLICE CABINET
- SIGNAL POLE
- FLAT PANEL ANTENNA (SINGLE)
- YAGI ANTENNA (DOUBLE) FOR REPEATER OPERATION
- YAGI ANTENNA (SINGLE)
- OMNI ANTENNA

**CONSTRUCTION NOTE SYMBOLOGY KEY**



**ATTACHMENT POINT:**

- XX"/SS YYY DISTANCE ABOVE (IN)/ATTACHMENT POINT REFERENCE POINT
  - YYY REFERENCE POINT
  - XX"/SS DISTANCE BELOW (IN)/ATTACHMENT POINT
- "SS" REFERENCE LOCATION
- FS = FRONT SIDE OF POLE
  - BS = BACK SIDE OF POLE

DOCUMENT NOT CONSIDERED FINAL UNLESS ALL SIGNATURES COMPLETED

<p>750 N. Greenfield Place, Garner, NC 27529</p>	<p>CONSTRUCTION NOTES</p> <p>R-2303E</p> <p>NC 24 (Sunset Avenue)</p>					
	<p>Division 3 Sampson County Clinton</p> <p>PLAN DATE: Sep 2019 REVIEWED BY: D.J. Darity</p> <p>PREPARED BY: D.J. Darity MAN PROJECT NO.: 8522-07</p>	<p>REVISIONS</p> <table border="1"> <tr> <th>INIT.</th> <th>DATE</th> </tr> <tr> <td> </td> <td> </td> </tr> </table>		INIT.	DATE	
INIT.	DATE					