

ECONOLITE ASC/3-2070 OVERLAP PROGRAMMING DETAIL

(program controller as shown)

- From Main Menu select **2. CONTROLLER**
- From CONTROLLER Submenu select **2. VEHICLE OVERLAPS**

Toggle Twice

OVERLAP C

Select TMG VEH OVLP [C] and 'PPLT FYA'

```

TMG VEH OVLP...[C] TYPE: .....[PPLT FYA]
PROTECTED LEFT TURN.... PHASE 5
OPPOSING THROUGH..... PHASE 6

FLASHING ARROW OUTPUT.....CH15 ISOLATE
DELAY START OF: FYA..0.0 CLEARANCE..0.0
ACTION PLAN SF BIT DISABLE..... 0
    
```

Toggle Once

OVERLAP D

Select TMG VEH OVLP [D] and 'NORMAL'

```

TMG VEH OVLP...[D] TYPE: .....[NORMAL]
PHASES 1 2 3 4 5 6 7 8 9 0 1 2 3 4 5 6
INCLUDED . . . X X . . . . .

LAG GRN 0.0 YEL 0.0 RED 0.0
    
```

END PROGRAMMING

ECONOLITE ASC/3-2070 SPECIAL MMU PROGRAMMING

(program controller as shown)

- From Main Menu select **1. CONFIGURATION**
- From CONFIGURATION Submenu select **4. PORT 1 (SDLC)**
- From PORT 1 (SDLC) Submenu select **2. MMU PROGRAM**

CAUTION!

Set intersection to Flash before attempting to enter or change any MMU programming data. This programming and that of the MMU programming card must match exactly. If they do not, the intersection will be placed into Flash.

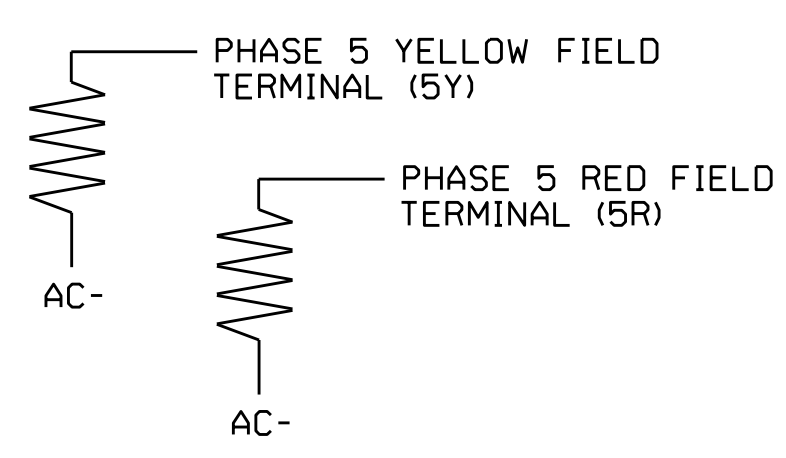
MMU PROGRAM [MANUAL]
CH	6 5 4 3 2 1 0 9 8 7 6 5 4 3 2
1
2	X X X X . .
3
4	X
5	X X
6	. X
7
8
9
10
11
12
13
14
15	X

END PROGRAMMING

LOAD RESISTOR INSTALLATION DETAIL

(install resistors as shown below)

VALUE (ohms)	WATTAGE
1.5K - 1.9K	25W (min)
2.0K - 3.0K	10W (min)



THIS ELECTRICAL DETAIL IS FOR THE SIGNAL DESIGN: 05-1906T4
 DESIGNED: March 2019
 SEALED: 7/24/2019
 REVISED: N/A

Electrical Detail - Temp 4 (TMP Phase IV)
 Sheet 2 of 2

ELECTRICAL AND PROGRAMMING DETAILS FOR: Prepared In the Offices of: 750 N. Greenfield Pkwy, Garner, NC 27529	SR 3015 (Airport Blvd.) at SR 1789 (Pleasant Grove Church Rd.)		DOCUMENT NOT CONSIDERED FINAL UNLESS ALL SIGNATURES COMPLETED SEAL Ryan W. Hough ENGINEER 8/1/2019 DATE
	Division 5 PLAN DATE: May 2019 PREPARED BY: S. Armstrong	Wake County Morrisville REVIEWED BY: REVIEWED BY:	

26-JUL-2019 08:50
 W:\1106\sm_elec\mk.dgn
 sarmstrong