

### ECONOLITE ASC/3-2070 OVERLAP PROGRAMMING DETAIL

(program controller as shown)

- From Main Menu select **2. CONTROLLER**
- From CONTROLLER Submenu select **2. VEHICLE OVERLAPS**

Toggle to reach Overlap F

OVERLAP F  
 Select TMG VEH OVLP [F] and 'NORMAL'

```

  TMG VEH OVLP...[F] TYPE: .....[NORMAL]
  PHASES 1 2 3 4 5 6 7 8 9 0 1 2 3 4 5 6
  INCLUDED . . X . . . . .
  LAG GRN 0.0 YEL 0.0 RED 0.0
  
```

Toggle to reach Overlap C

OVERLAP C  
 Select TMG VEH OVLP [C] and 'PPLT FYA'

```

  TMG VEH OVLP...[C] TYPE: .....[PPLT FYA]
  PROTECTED LEFT TURN.... OVERLAP F
  OPPOSING THROUGH..... PHASE 6
  FLASHING ARROW OUTPUT.....CH15 ISOLATE
  DELAY START OF: FYA..0.0 CLEARANCE..0.0
  ACTION PLAN SF BIT DISABLE..... 0
  
```

Toggle Twice

OVERLAP E  
 Select TMG VEH OVLP [E] and 'NORMAL'

```

  TMG VEH OVLP...[E] TYPE: .....[NORMAL]
  PHASES 1 2 3 4 5 6 7 8 9 0 1 2 3 4 5 6
  INCLUDED . . X . . X . . . . .
  LAG GRN 0.0 YEL 0.0 RED 0.0
  
```

END PROGRAMMING

### ECONOLITE ASC/3-2070 SPECIAL MMU PROGRAMMING

(program controller as shown)

- From Main Menu select **1. CONFIGURATION**
- From CONFIGURATION Submenu select **4. PORT 1 (SDLC)**
- From PORT 1 (SDLC) Submenu select **2. MMU PROGRAM**

#### CAUTION!

Set intersection to Flash before attempting to enter or change any MMU programming data. This programming and that of the MMU programming card must match exactly. If they do not, the intersection will be placed into Flash.

```

  MMU PROGRAM [ MANUAL ]

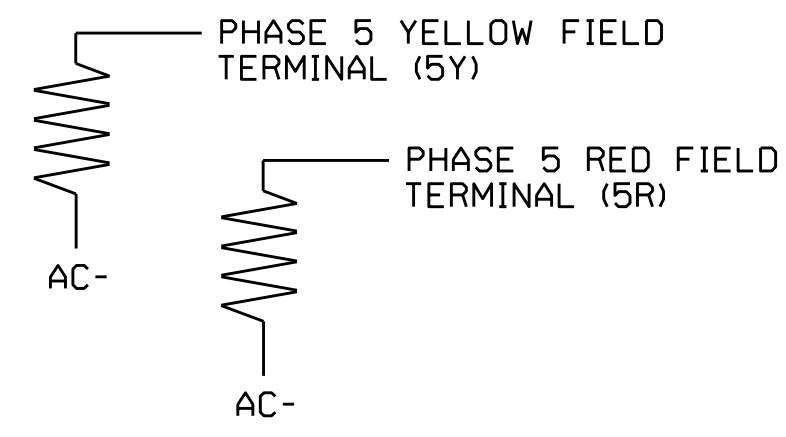
  CH  6 5 4 3 2 1 0 9 8 7 6 5 4 3 2
  1  . . . . .
  2  . X . . . . . X X . .
  3  . . . . .
  4  . . . . .
  5  . X . . . . .
  6  . X . . . . .
  7  . . . . .
  8  . . . . .
  9  . . . . .
  10 . . . . .
  11 . . . . .
  12 . . . . .
  13 . . . . .
  14 . . . . .
  15 . . . . .
  
```

END PROGRAMMING

### LOAD RESISTOR INSTALLATION DETAIL

(install resistors as shown below)

ACCEPTABLE VALUES	
VALUE (ohms)	WATTAGE
1.5K - 1.9K	25W (min)
2.0K - 3.0K	10W (min)



THIS ELECTRICAL DETAIL IS FOR THE SIGNAL DESIGN: 05-1168T2  
 DESIGNED: March 2019  
 SEALED: 7/24/2019  
 REVISED: N/A

Electrical Detail - Temp Design 2 (TMP Phase III, Step A)  
 Sheet 2 of 3

ELECTRICAL AND PROGRAMMING DETAILS FOR: Prepared In the Offices of:  750 N. Greenfield Pkwy, Garner, NC 27529	SR 3015 (Airport Boulevard) at I-40 WB Ramps	
	Division 5 PLAN DATE: May 2015 PREPARED BY: S. Armstrong	Wake County REVIEWED BY: REVIEWED BY:
REVISIONS INIT. DATE	MORRISVILLE	SEAL NORTH CAROLINA PROFESSIONAL ENGINEER SEAL 036833 RYAN W. HOUGH
DocuSigned by:  8/1/2019		SIG. INVENTORY NO. 05-1168T2

25-JUL-2019 13:55  
 W:\1168\sm\_elec\wxc.dgn  
 sarmstrong