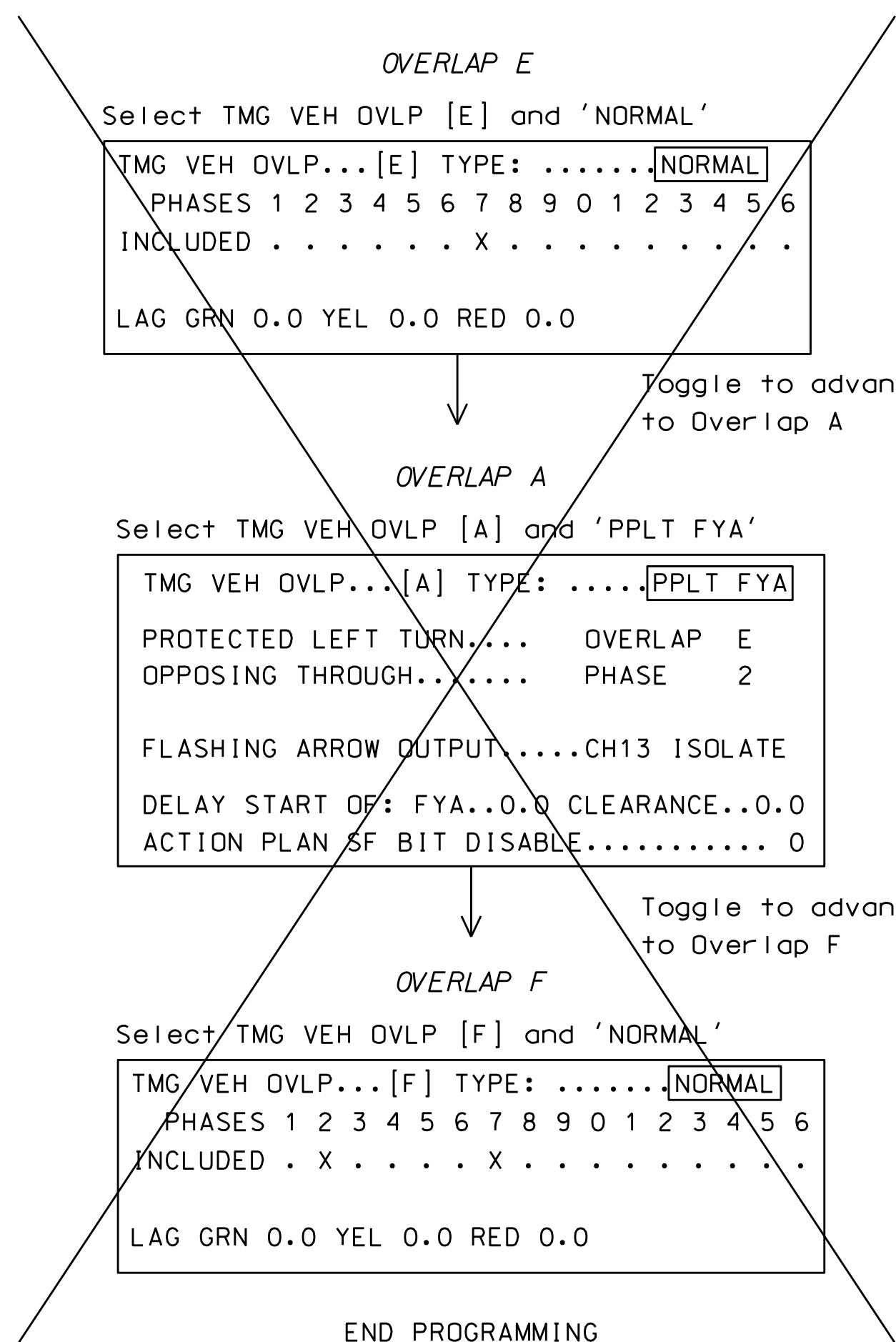


ECONOLITE ASC/3-2070 OVERLAP PROGRAMMING DETAIL

(program controller as shown)

- From Main Menu select **2. CONTROLLER**
- From CONTROLLER Submenu select **2. VEHICLE OVERLAPS**

Toggle to advance to Overlap E



DELETE OVERLAP PROGRAMMING

ECONOLITE ASC/3-2070 SPECIAL MMU PROGRAMMING

(program controller as shown)

- From Main Menu select **1. CONFIGURATION**
- From CONFIGURATION Submenu select **4. PORT 1 (SDLC)**
- From PORT 1 (SDLC) Submenu select **2. MMU PROGRAM**

CAUTION!

Set intersection to Flash before attempting to enter or change any MMU programming data. This programming and that of the MMU programming card must match exactly. If they do not, the intersection will be placed into Flash.

CH	6	5	4	3	2	1	0	9	8	7	6	5	4	3	2
1
2	X
3
4
5
6
7
8
9
10
11
12
13
14
15

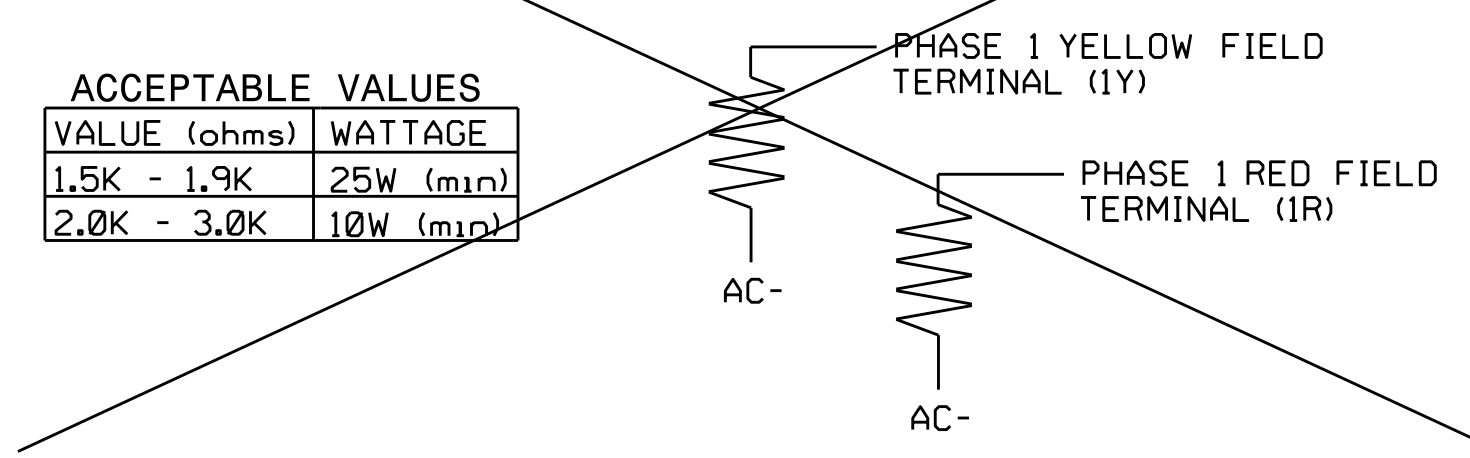
END PROGRAMMING

THIS ELECTRICAL DETAIL SUPERSEDES THE DETAIL SEALED ON 8/1/2019.

THIS ELECTRICAL DETAIL IS FOR THE SIGNAL DESIGN: 05-0947T3
 DESIGNED: September 2019
 SEALED: 10/2/2019
 REVISED: N/A

LOAD RESISTOR INSTALLATION DETAIL

(install resistors as shown below)



REMOVE LOAD RESISTORS

Electrical Detail - Temp Design 3 (TMP Phase III, Step A)
 Sheet 2 of 3

ELECTRICAL AND PROGRAMMING DETAILS FOR: Prepared In the Offices of: 750 N. Greenfield Pkwy, Garner, NC 27529	SR 3015 (Airport Boulevard) at I-40 EB Ramps		SEAL NORTH CAROLINA PROFESSIONAL ENGINEER SEAL 036833 RYAN W. HOUGH
	Division 5 Wake County Morrisville PLAN DATE: October 2019 REVIEWED BY: PREPARED BY: S. Armstrong REVIEWED BY:	REVISIONS INIT. DATE _____ _____ _____	
Documented by: <i>Ryan W. Hough</i> 10/8/2019 DATE			SIG. INVENTORY NO. 05-0947T3

03-0017-2019 08:08
 030047.dwg ete-wmk.dgn
 sarmstrong