

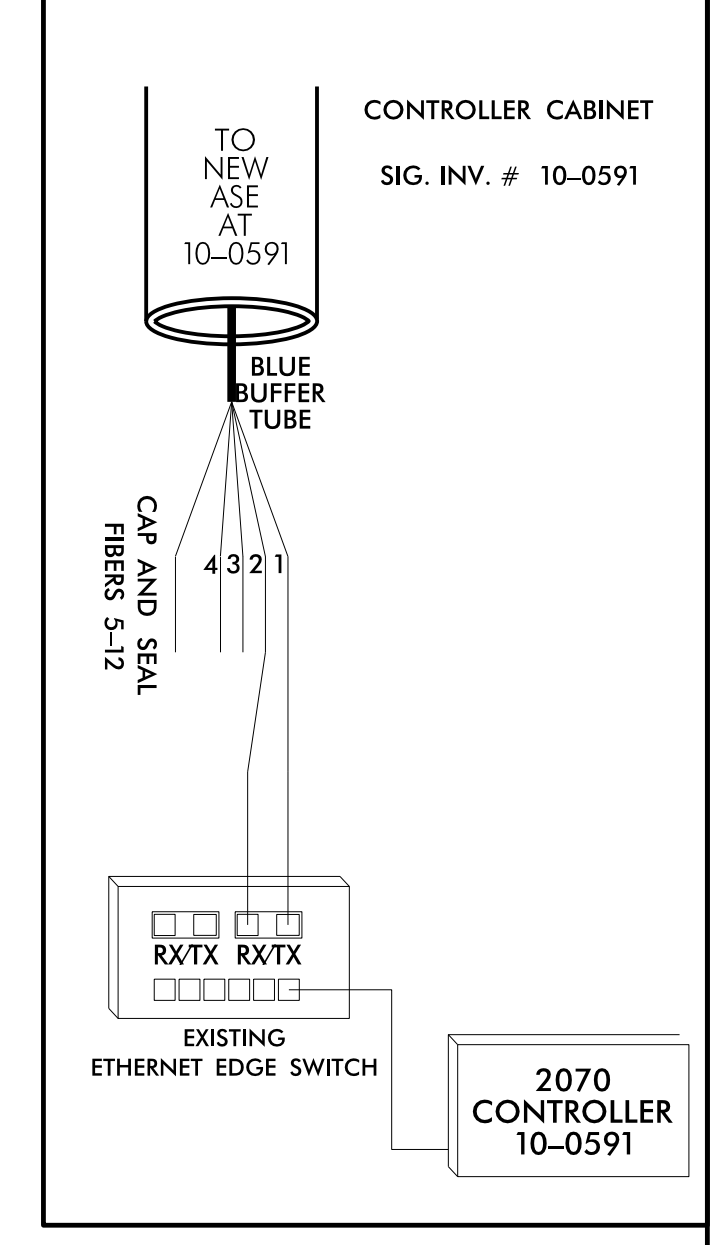
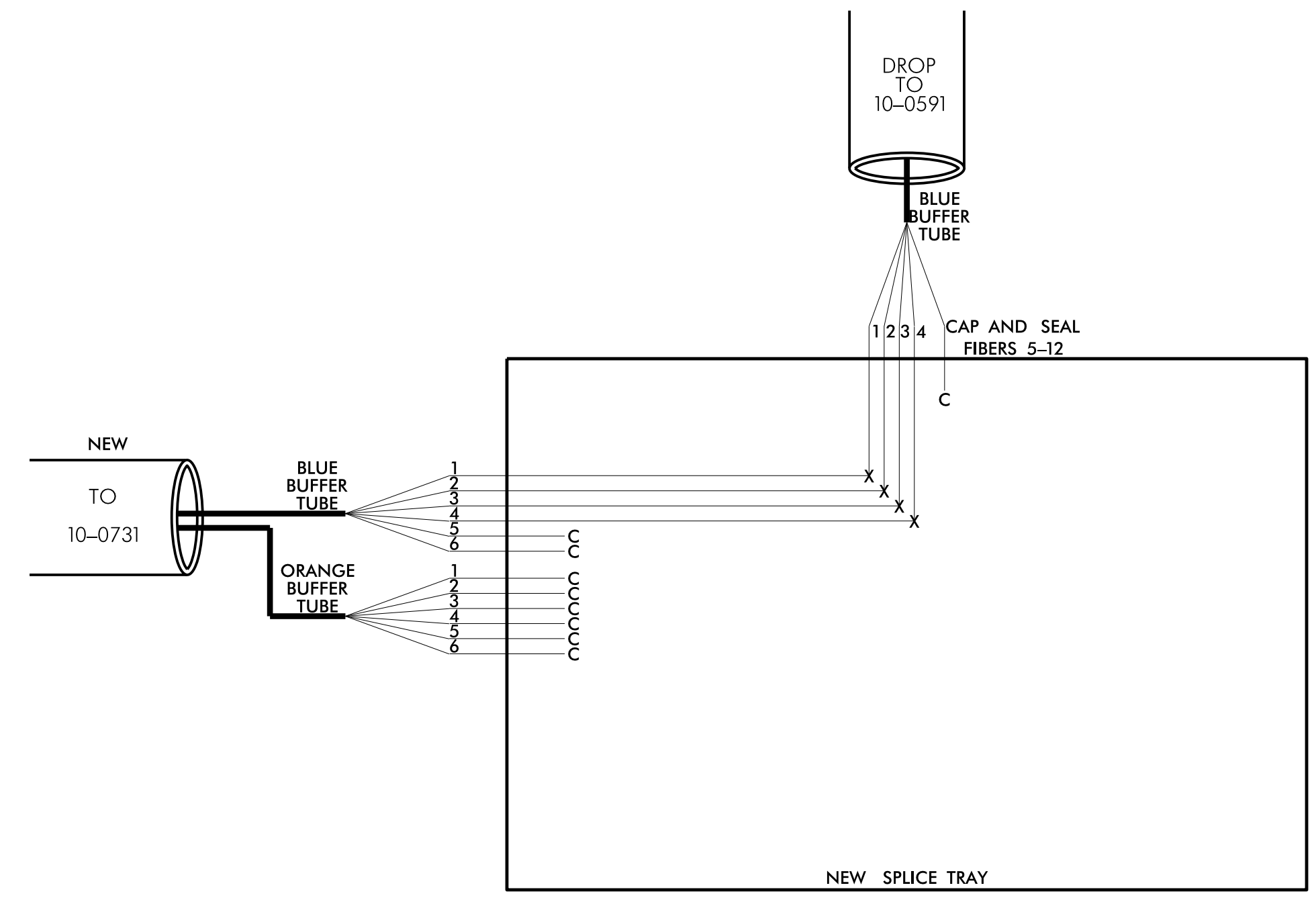
NEW AERIAL SPLICE ENCLOSURE  
 NC 24-27 AT E. MAIN ST.  
 SIG. INV. # 10-0591

Notes:  
 Unused fibers left coiled and stored in splice tray.  
 Unused Buffer Tubes left coiled and stored in splice tray.

COLOR CODE  
 TIA/EIA 598-A

- |            |             |
|------------|-------------|
| (1) BLUE   | (7) RED     |
| (2) ORANGE | (8) BLACK   |
| (3) GREEN  | (9) YELLOW  |
| (4) BROWN  | (10) VIOLET |
| (5) SLATE  | (11) ROSE   |
| (6) WHITE  | (12) AQUA   |

LEGEND  
 X = FUSION SPLICE  
 C = CAP IN TRAY



- 1) NOTIFY THE DIVISION 10 TRAFFIC ENGINEER, TONY TAGLIAFERRI, AT (704) 983-4400 FIVE (5) DAYS PRIOR TO BEGINNING WORK ON SIGNAL SYSTEM COMMUNICATIONS CABLE. NOTIFY THE DIVISION TRAFFIC ENGINEER AFTER ALL WORK IS PERFORMED TO ENSURE THAT ALL FIBER CIRCUITS ARE FUNCTIONING PROPERLY. ALL WORK IS NOT COMPLETE UNTIL THE SIGNAL SYSTEM IS BACK UP AND OPERATIONAL.
- 2) CONTRACTOR TO RECORD EXISTING SPLICE ARRANGEMENT FOR COMPARISON TO THE SUPPLIED SPLICE DETAILS. IF DISCREPANCIES EXIST, CONTACT THE ENGINEER TO DETERMINE HOW TO PROCEED WITH RESPLICING. PROVIDE AS-BUILT PLANS TO THE ENGINEER IF FINAL SPLICE ARRANGEMENT DIFFERS FROM THE SUPPLIED SPLICE DETAILS.
- 3) EDGE SWITCH TERMINATION CONFIGURATIONS ARE GENERIC. CONTRACTOR IS RESPONSIBLE FOR DETERMINING \ ENSURING PROPER TERMINATIONS.
- 4) INCLUDE ON THE COVER OF EACH SPLICE TRAY THE FOLLOWING:  
 REFERENCE SECTION 1731 "FIBER OPTIC SPLICE ENCLOSURE"  
 1) SPLICE LOCATION  
 2) DATE  
 3) COMPANY NAME  
 4) NAME OF INDIVIDUAL PERFORMING THE SPLICING

PRIOR TO INSTALLING THE COVER ON THE SPLICE TRAY TAKE A DIGITAL PHOTOGRAPH SHOWING THE SPLICE TRAY AND INFORMATION SHOWN ABOVE (1-4) AND SUBMIT PHOTOGRAPH ALONG WITH OTDR TEST RESULTS.

TMP FINAL

**DOCUMENT NOT CONSIDERED FINAL  
 UNLESS ALL SIGNATURES COMPLETED**

	<b>SPLICE DETAILS</b>		SEAL 032108 M. A. ASLAMI ENGINEER 11/8/2018 DATE
	DIVISION 10 STANLY COUNTY PLAN DATE: NOVEMBER 2018 PREPARED BY: A. J. SKUCE	REVIEWED BY: <i>Greg Allen</i> (Signature) (Stamp: 09F888BET705A4FA)	
750 N. Greenfield Pkwy., Garner, NC 27529 SCALE: 0 NA	REVISIONS INIT. DATE		DATE: 11/8/2018