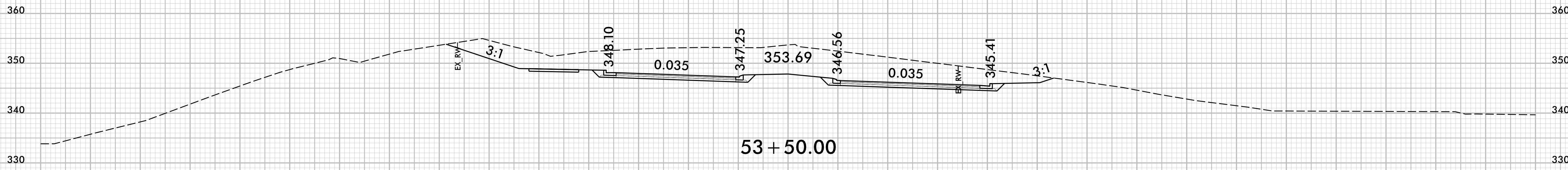
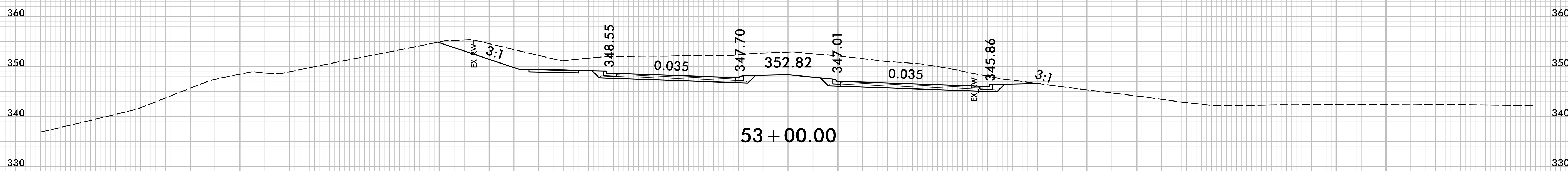


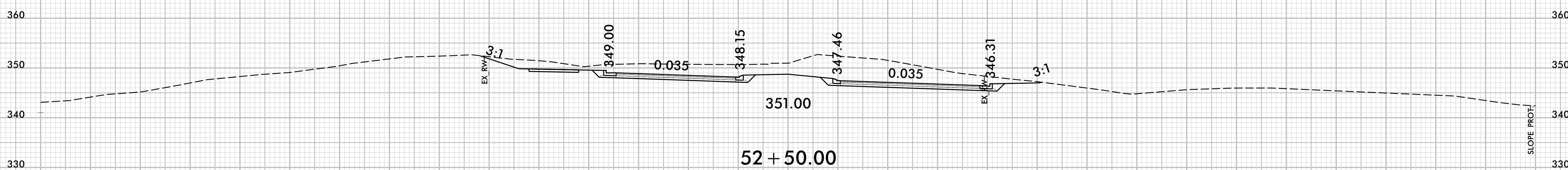
150 140 130 120 110 100 90 80 70 60 50 40 30 20 10 0 10 20 30 40 50 60 70 80 90 100 110 120 130 140 150



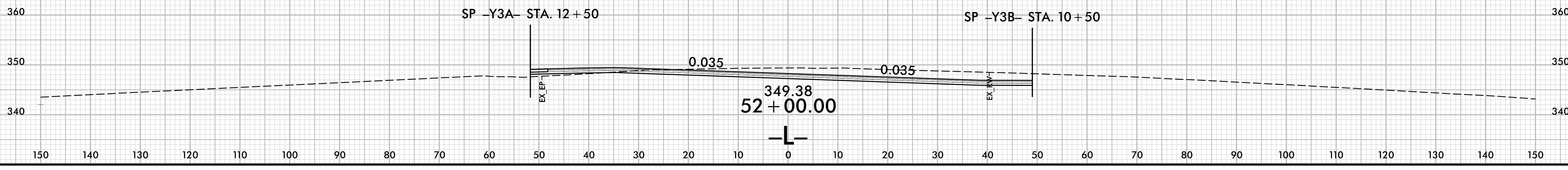
53 + 50.00



53 + 00.00



52 + 50.00



52 + 00.00

SLOPE PROF.