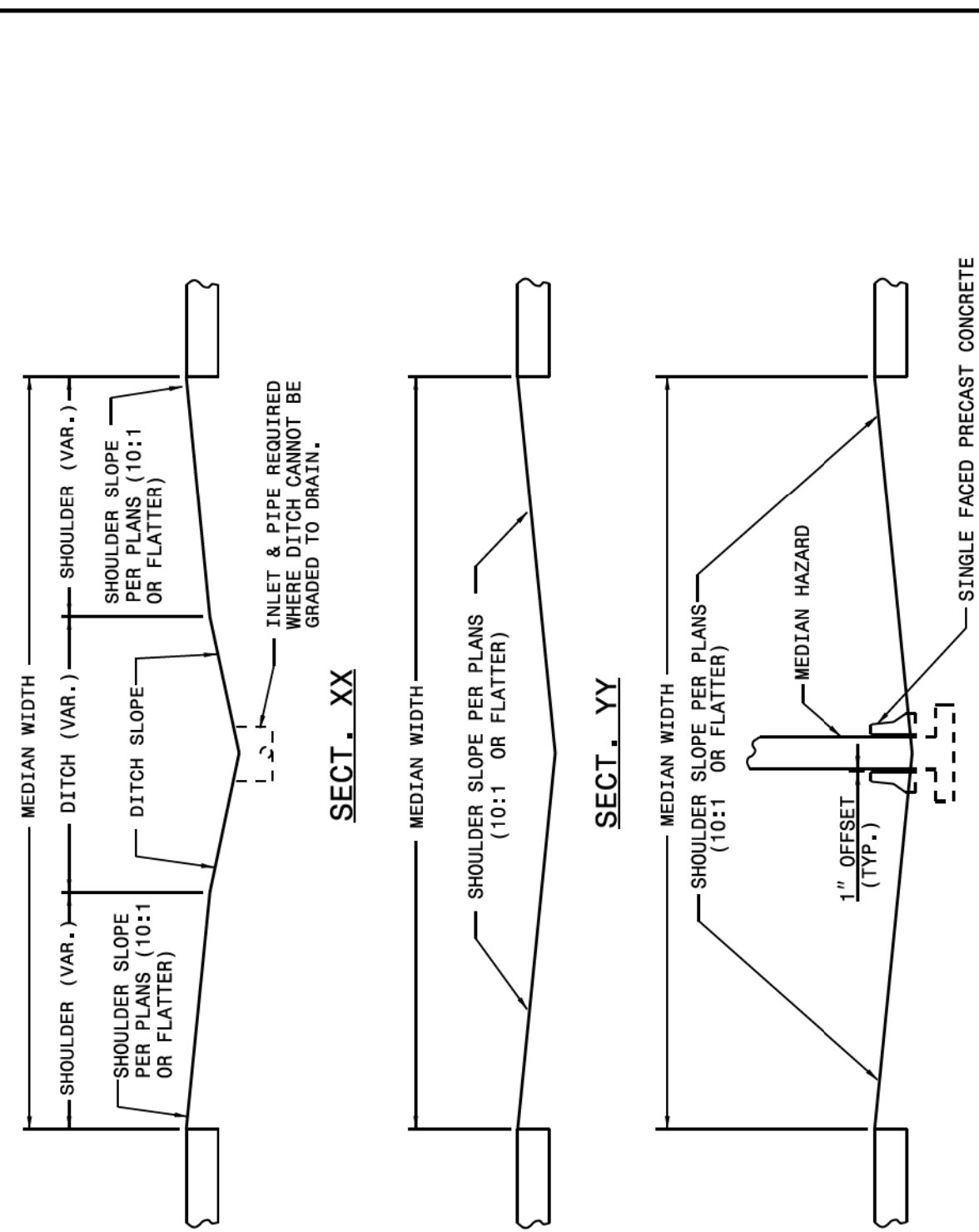
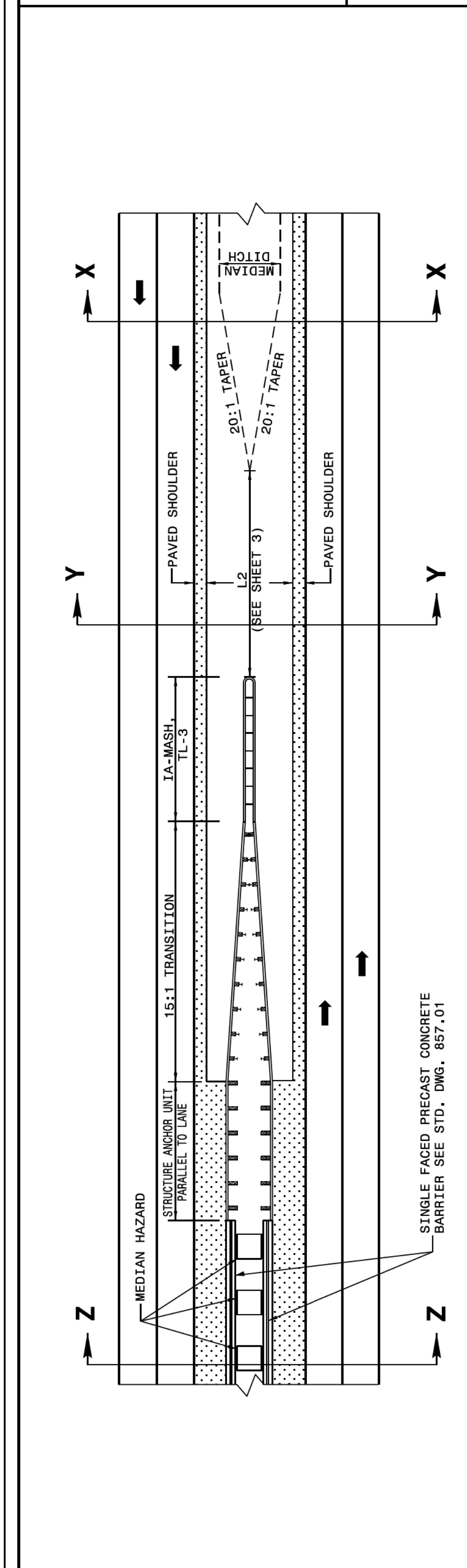


04-SEP-2018 08:31  
 S:\Contracts\2018\Special Details\Howerton\Standard Drawings\2018 Standard Drawings\Details in Lieu of Standards\Division 8\862D01 Impact Attenuator- Sheets 1 and 2.dgn  
 Howerton

STATE OF NORTH CAROLINA  
DEPT. OF TRANSPORTATION  
DIVISION OF HIGHWAYS  
RALEIGH, N.C.

ROADWAY DETAIL DRAWING FOR  
**GUARDRAIL PLACEMENT**

SHEET 1 OF 11  
**862D01**



DETAIL OF RIGHT SIDE GUARDRAIL AT UNDERPASS

SHEET 1 OF 11  
**862D01**

STATE OF NORTH CAROLINA  
DEPT. OF TRANSPORTATION  
DIVISION OF HIGHWAYS  
RALEIGH, N.C.

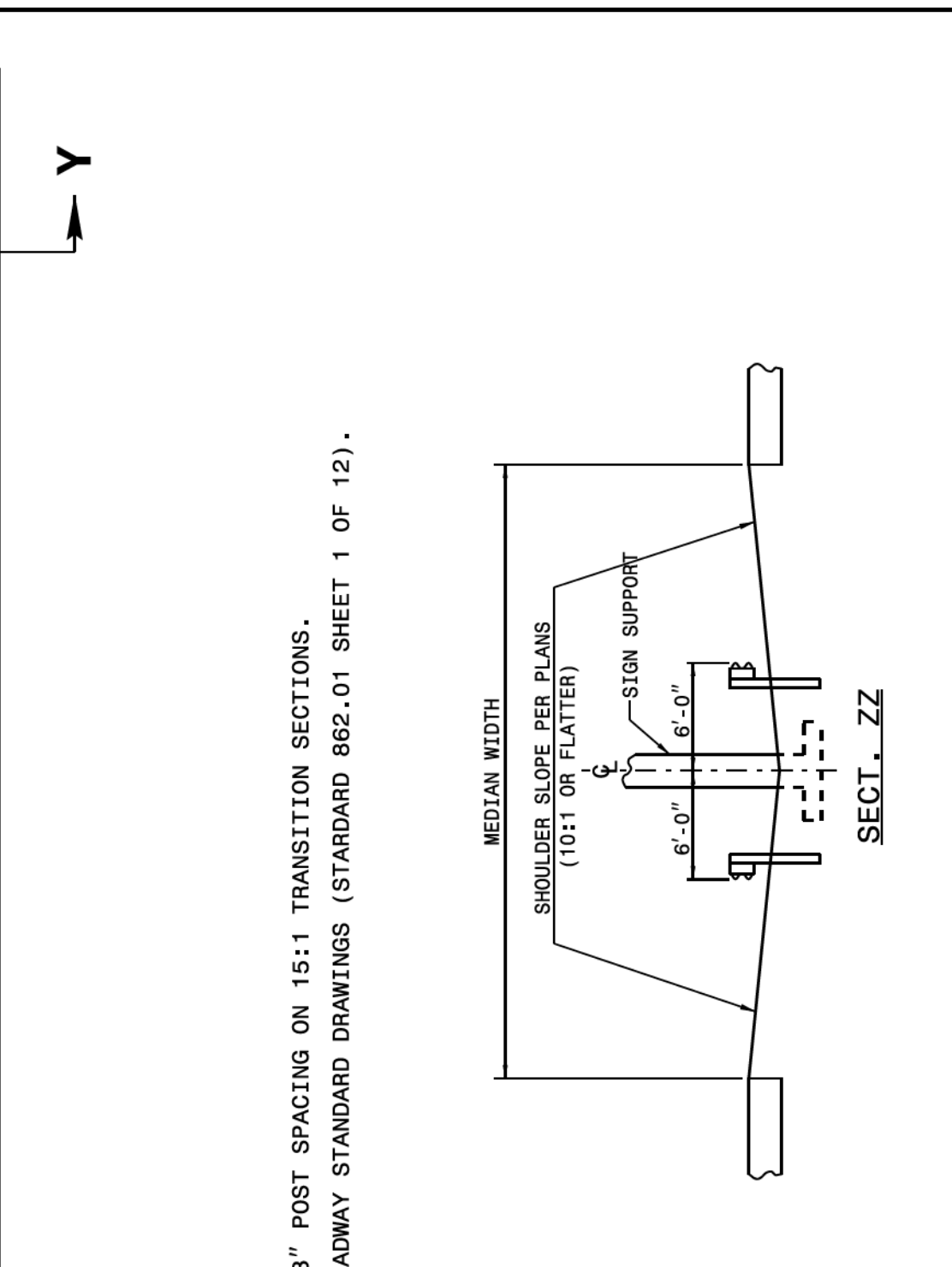
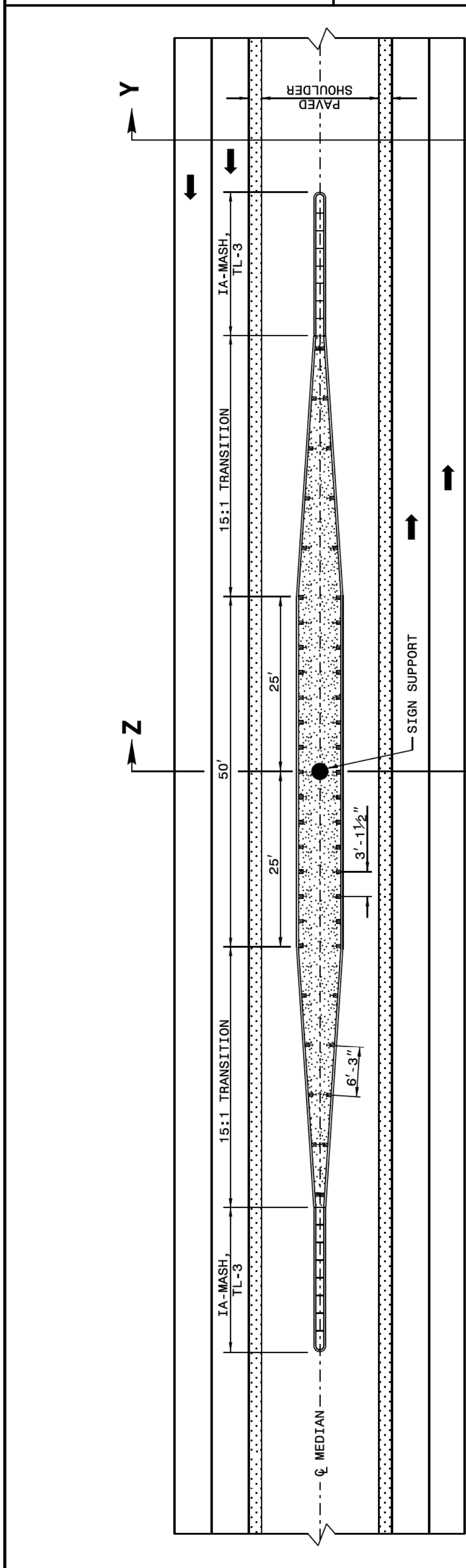
ROADWAY DETAIL DRAWING FOR  
**GUARDRAIL PLACEMENT**

SHEET 1 OF 11  
**862D01**

STATE OF NORTH CAROLINA  
DEPT. OF TRANSPORTATION  
DIVISION OF HIGHWAYS  
RALEIGH, N.C.

ROADWAY DETAIL DRAWING FOR  
**GUARDRAIL PLACEMENT**

SHEET 2 OF 11  
**862D01**



STATE OF NORTH CAROLINA  
DEPT. OF TRANSPORTATION  
DIVISION OF HIGHWAYS  
RALEIGH, N.C.

ROADWAY DETAIL DRAWING FOR  
**GUARDRAIL PLACEMENT**

SHEET 2 OF 11  
**862D01**

DOCUMENT NOT CONSIDERED FINAL  
UNLESS ALL SIGNATURES COMPLETED

**CONTRACT STANDARDS  
AND DEVELOPMENT UNIT**  
Office 919-707-6950 FAX 919-250-4119

SEE TITLE BLOCK

ORIGINAL BY: J. HOWERTON DATE: 08-23-18  
 MODIFIED BY: \_\_\_\_\_ DATE: \_\_\_\_\_  
 CHECKED BY: \_\_\_\_\_ DATE: \_\_\_\_\_  
 FILE SPEC.: \_\_\_\_\_

