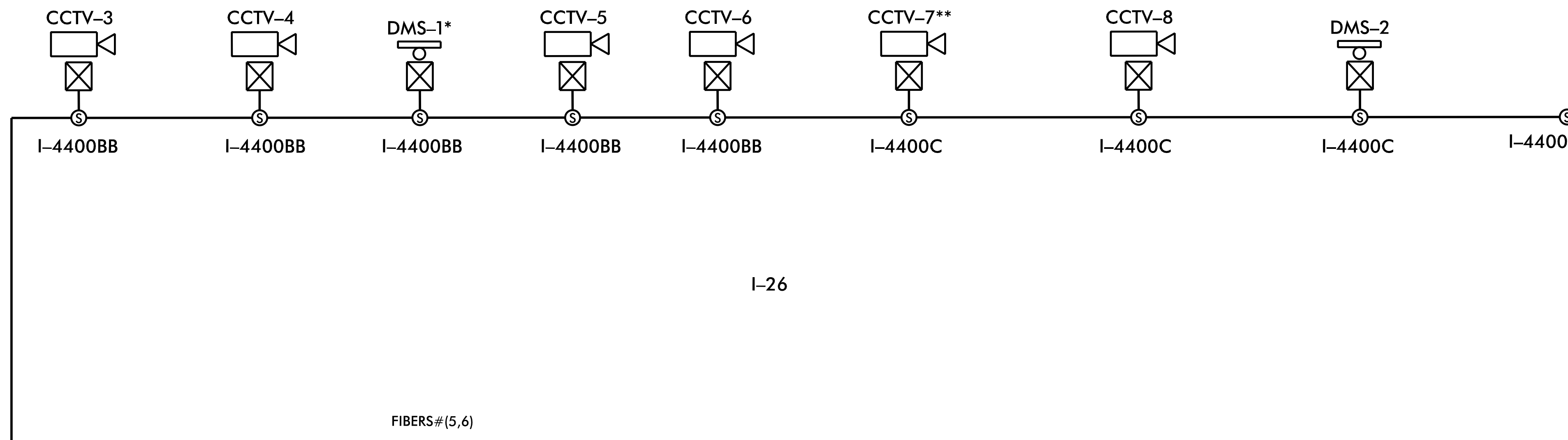
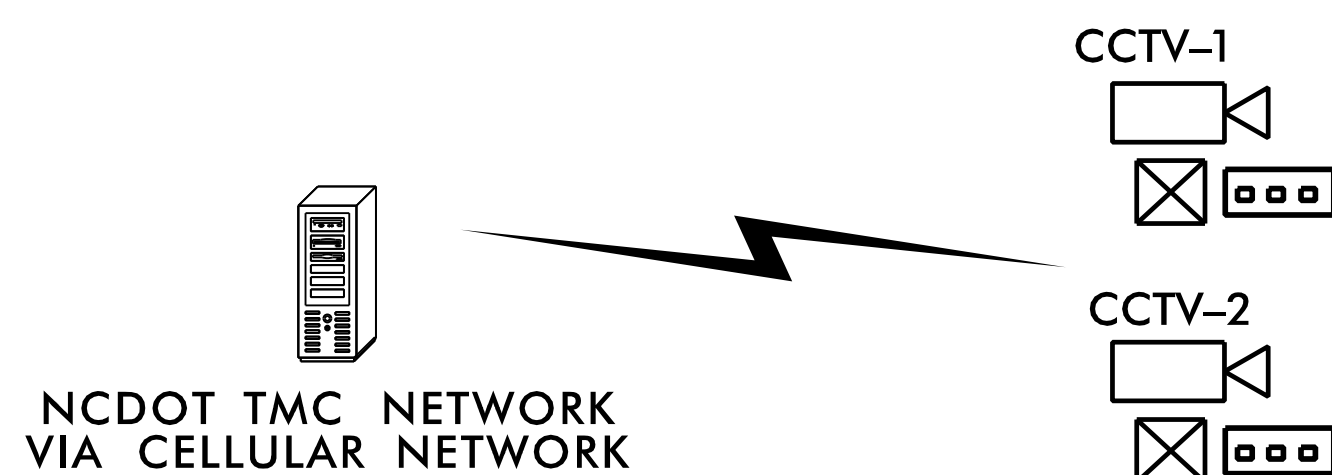


BLOCK DIAGRAM APPLIES TO I-4400BB AND I-4400C



NOTE: FIBERS #3,4 AND FIBERS# 7,8 ARE CONNECTED TO SOLAR PANEL POWERED DEVICES FROM SECTION I-4700

*PROPOSED DMS IS REPLACING EXISTING DMS AT THIS LOCATION.
 **PROPOSED CCTV IS REPLACING EXISTING CCTV AT THIS LOCATION.



LEGEND

- EXISTING ITS EQUIPMENT CABINET
- PROPOSED ITS EQUIPMENT CABINET
- SPLICE ENCLOSURE
- CCTV (EXISTING)
- CCTV (PROPOSED)
- DMS PEDESTAL MOUNTED WITH CABINET
- CELLULAR MODEM IN CABINET
- CONNECTION TO EXISTING NETWORK
- NETWORK CONNECTION BY THIRD PARTY

DOCUMENT NOT CONSIDERED FINAL UNLESS ALL SIGNATURES COMPLETED

NOTES:

1. THIS BLOCK DIAGRAM IS AN APPROXIMATE REPRESENTATION OF CONNECTIONS. SEE SPLICE DIAGRAMS SHEETS FOR DETAILED CONNECTIONS.
2. CONTACT NCDOT FOR NETWORK CONFIGURATION WHICH CONSISTS OF BUT IS NOT LIMITED TO IP ADDRESS, VLAN NUMBER, ACL AND PORT CONFIGURATION.
3. CONTRACTOR IS RESPONSIBLE FOR COORDINATION WITH NCDOT PERSONNEL TO OBTAIN ALL RELEVANT NETWORK INFORMATION BEFORE TESTING.
4. ALL SWITCHES SHALL BE CONFIGURED PER NCDOT SECURITY REQUIREMENTS.

HNTB HNTB NORTH CAROLINA, P.C.
 343 E. Six Forks Road, Suite 200
 Raleigh, North Carolina 27609
 NC License No: C-1554
 (919) 546-8997

 Plans Prepared for: 250 N. Greenfield Place, Garner, NC 27529	I-4400C NETWORK BLOCK DIAGRAM		SEAL Rakesh Nune ENGINEER NORTH CAROLINA
	PLAN DATE: November 2018 PREPARED BY: Atizaz Ali	REVIEWED BY: T.R. Terrell REVIEWED BY: N.R. Simmons	
SCALE NONE	REVISIONS	INIT. DATE	SIGNATURE DATE CADD File name: I4400C ITS-02.dgn