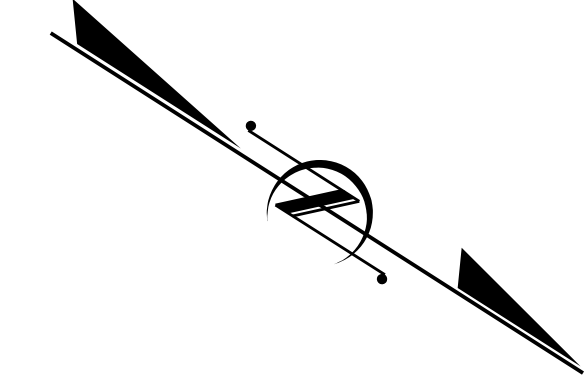


STATE OF NORTH CAROLINA  
DIVISION OF HIGHWAYS

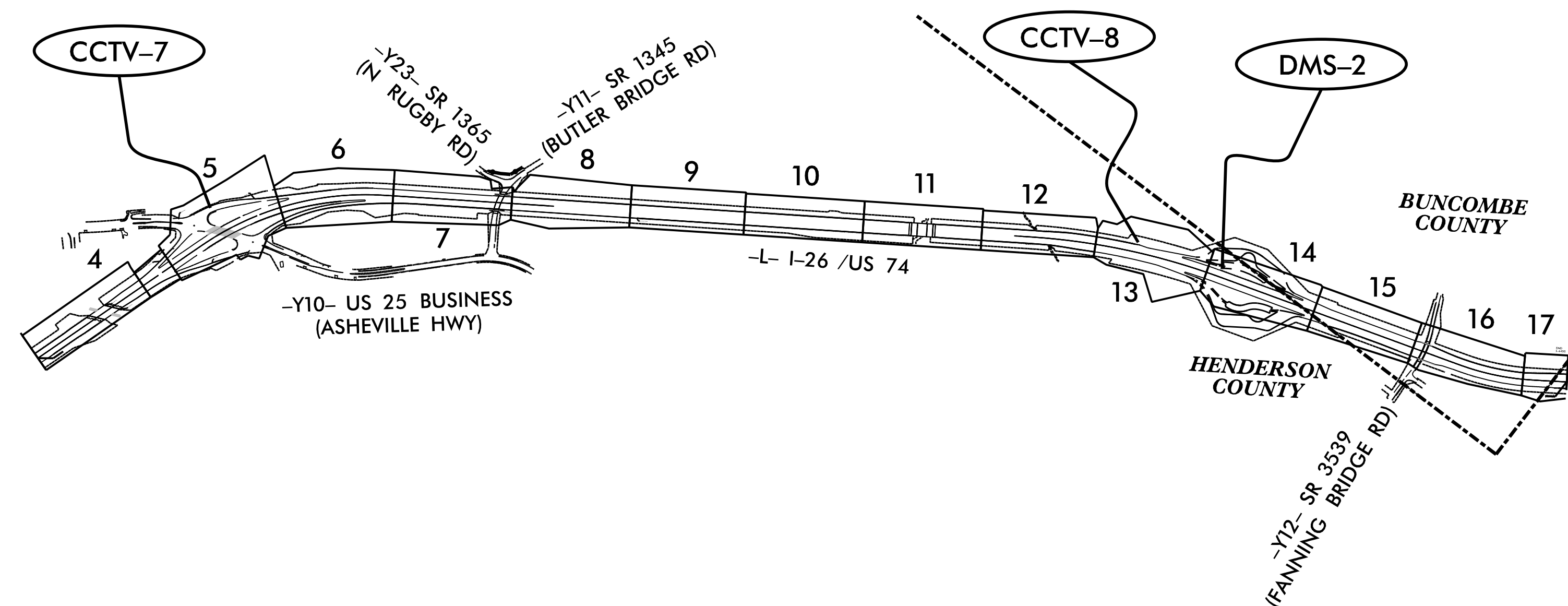
**BUNCOMBE AND HENDERSON COUNTIES**

**LOCATION: I-26 FROM JUST SOUTH OF US 25 (ASHEVILLE HIGHWAY) TO JUST NORTH OF SR 3539 (FANNING BRIDGE RD)**

**TYPE OF WORK: FIBER, CCTV CAMERA AND DYNAMIC MESSAGE SIGN INSTALLATIONS**



**TIP PROJECT: I-4400C**



**DOCUMENT NOT CONSIDERED FINAL  
UNLESS ALL SIGNATURES COMPLETED**

**CONTRACT:**

<b>2018 STANDARD SPECIFICATIONS</b>	
PROJECT LENGTH <b>PROJECT LENGTH = 3.525 MILES</b>	
LETTING DATE: <b>JUNE 2019</b>	
<b>INDEX OF SHEETS</b>	
ITS-01	TITLE SHEET
ITS-02	NETWORK BLOCK DIAGRAM
ITS-03	CONSTRUCTION NOTES AND LEGEND
ITS-04-17	COMMUNICATION ROUTING PLANS
ITS-18	DMS ELEVATION
ITS-19-22	SPLICE DETAILS
ITS-23-25	TYPICAL DETAILS

**ROADWAY STANDARD DRAWINGS**

THE FOLLOWING ROADWAY STANDARDS AS APPEAR IN "ROADWAY STANDARD DRAWINGS" ROADWAY DESIGN UNIT - N.C. DEPARTMENT OF TRANSPORTATION - RALEIGH, N.C., DATED JANUARY 2018 ARE APPLICABLE TO THIS PROJECT AND BY REFERENCE HEREBY ARE CONSIDERED A PART OF THESE PLANS:

STD. NO.	TITLE	STD. NO.	TITLE
862.01	GUARDRAIL PLACEMENT	1165.01	WORK VEHICLE LIGHTING SYSTEMS AND TMA DELINEATION
862.02	GUARDRAIL INSTALLATION	1180.01	SKINNY - DRUM
862.03	STRUCTURE ANCHOR UNIT	1261.01	GUARDRAIL AND BARRIER DELINEATORS - INSTALLATION SPACING
862.04	ANCHORING END OF GUARDRAIL	1261.02	GUARDRAIL AND BARRIER DELINEATORS -TYPES AND MOUNTING
865.01	CABLE GUIDERAIL	1262.01	GUARDRAIL END DELINEATION
1101.01	WORK ZONE WARNING SIGNS	1700.01	ELECTRICAL SERVICE OPTIONS
1101.02	TEMPORARY LANE CLOSURES	1700.02	ELECTRICAL SERVICE GROUNDING
1101.04	TEMPORARY SHOULDER CLOSURES	1715.01	UNDERGROUND CONDUIT-TRENCHING
1101.01	TRAFFIC CONTROL DESIGN TABLES	1716.01	JUNCTION BOXES
1110.02	PORTABLE WORK ZONE SIGNS	1720.01	WOOD POLES
1115.01	FLASHING ARROW BOARDS	1721.01	GUY ASSEMBLY
1130.01	DRUMS	1751.02	CONTROLLER AND CABINETS
1135.01	CONES		
1150.01	FLAGGING DEVICES		

**NCDOT CONTACTS:**

ANNA G. HENDERSON, PE	DIVISION 13 TRAFFIC ENGINEER
STEVEN BUCHANAN	DIVISION 14 TRAFFIC ENGINEER
SCOTT M. COLLIER, PE	REGIONAL TRAFFIC SAFETY ENGINEER
GREGG GREEN	SIGNALS COMMUNICATIONS PROJECT ENGINEER

**PLANS PREPARED BY:**

**HNTB**

HNTB NORTH CAROLINA, P.C.  
343 E. Six Forks Road, Suite 200  
Raleigh, North Carolina 27609  
(919) 546-8997  
NC License No: C-1554

**HNTB CONTACTS:**

N.R. SIMMONS, PE, PTOE	- PROJECT MANAGER
D.L. JONES, PE	- SENIOR ITS PROJECT MANAGER
R. NUNE, PE	- SENIOR ITS DESIGN ENGINEER
A. ALI	- ITS ENGINEER I
A.H. THORNBERG, PE	- DESIGN ENGINEER III
T.R. TERRELL	- SENIOR DESIGN TECHNICIAN

